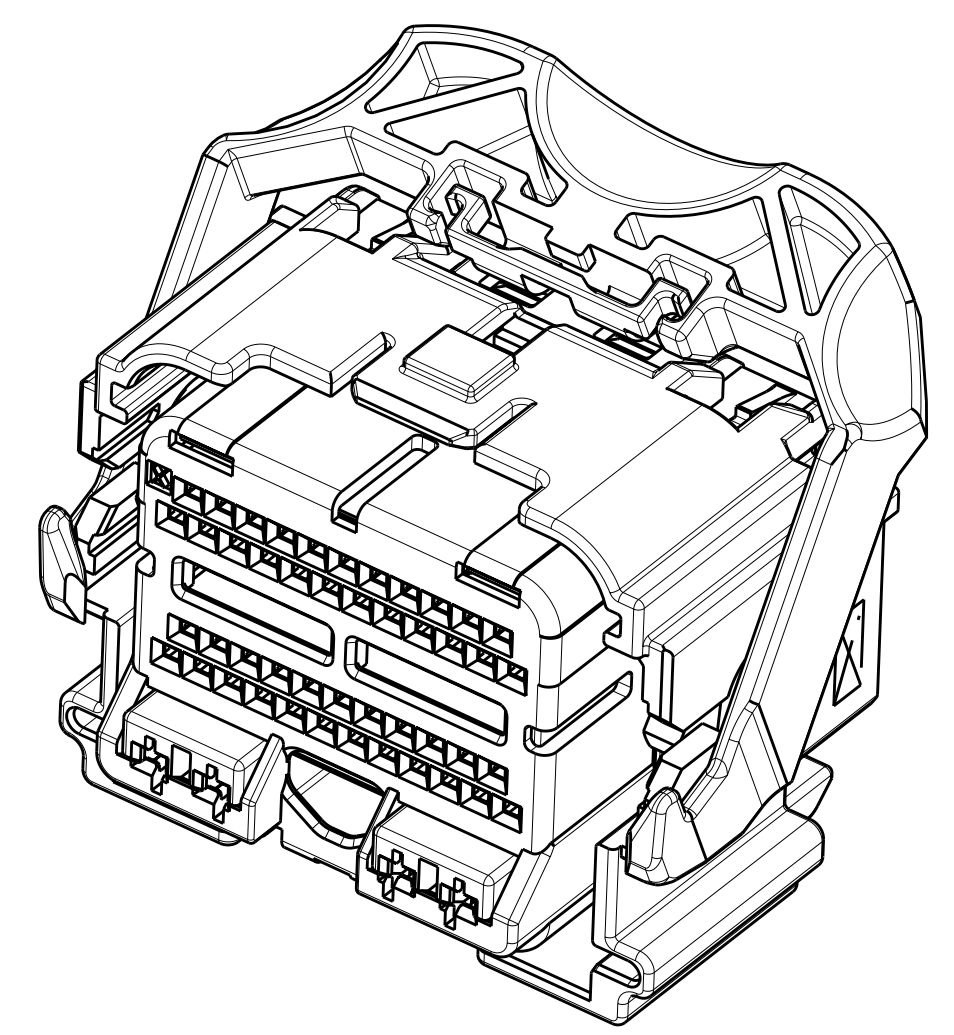
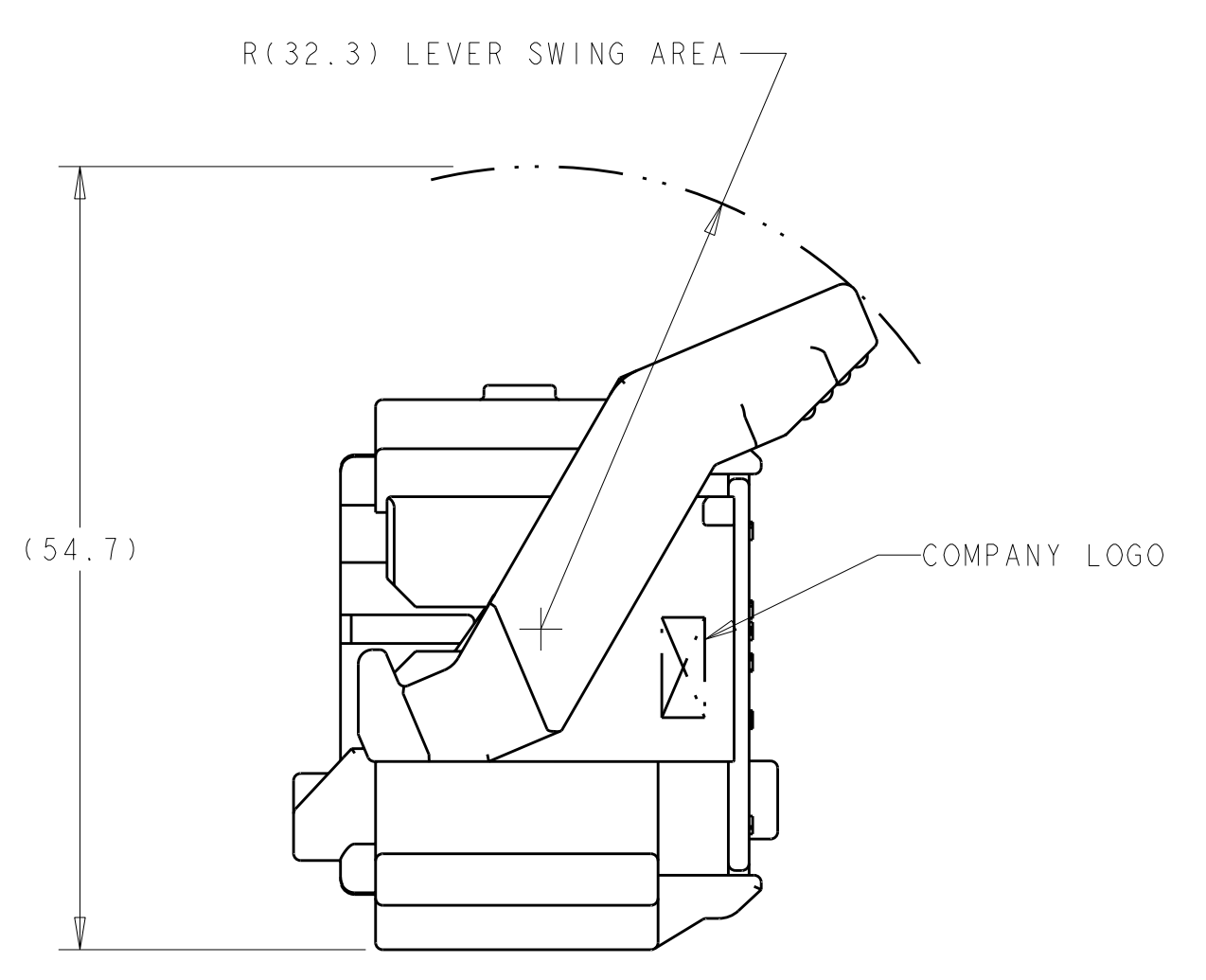
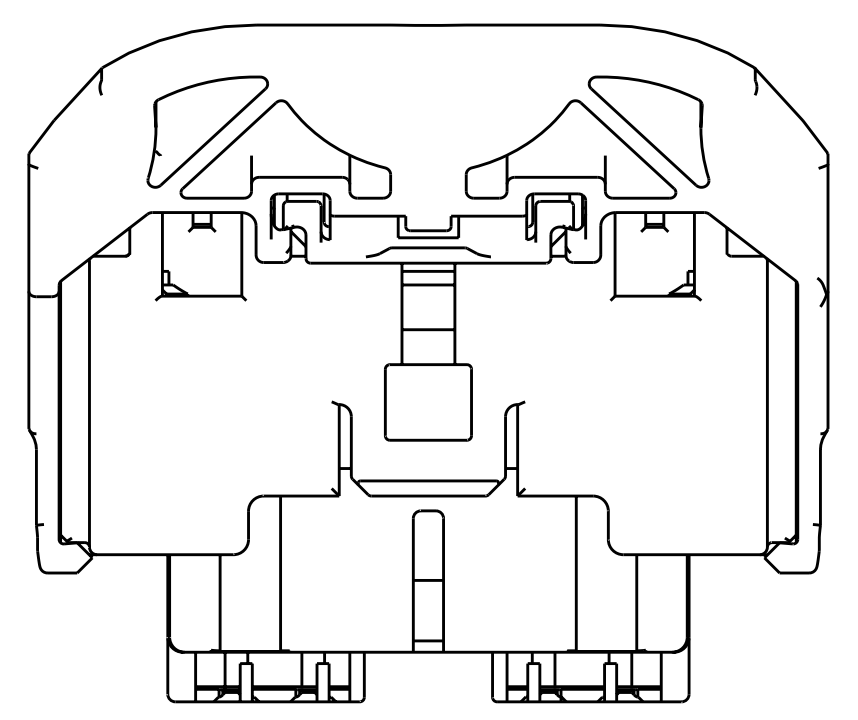


LOC	DIST	REV	DATE	BY	APP'D
FX	00	A11	22NOV2010	DLD	DCM

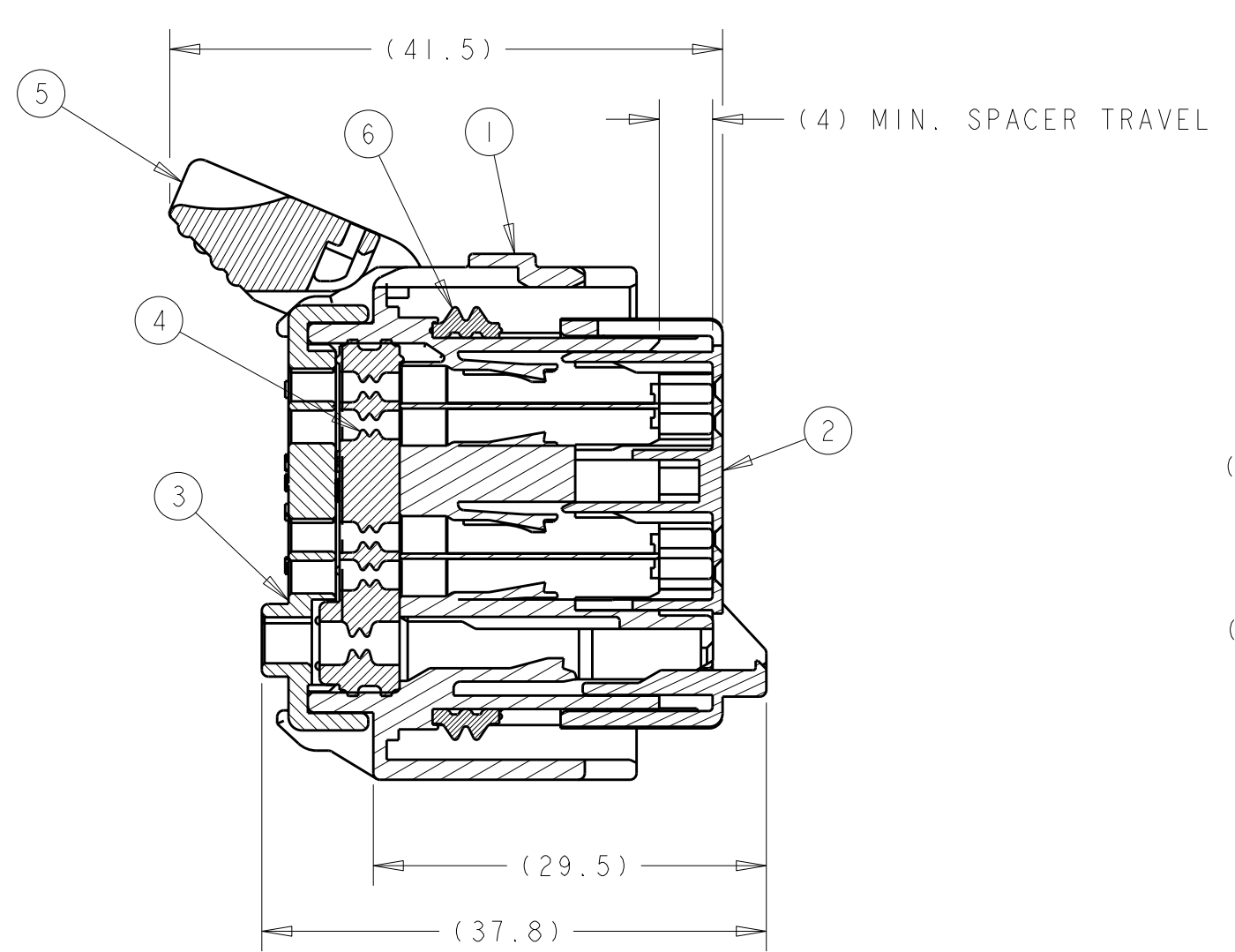


PART NUMBER:
1438693-1
SHOWN WITH SPACER
IN SEATED POSITION
SCALE 2:1

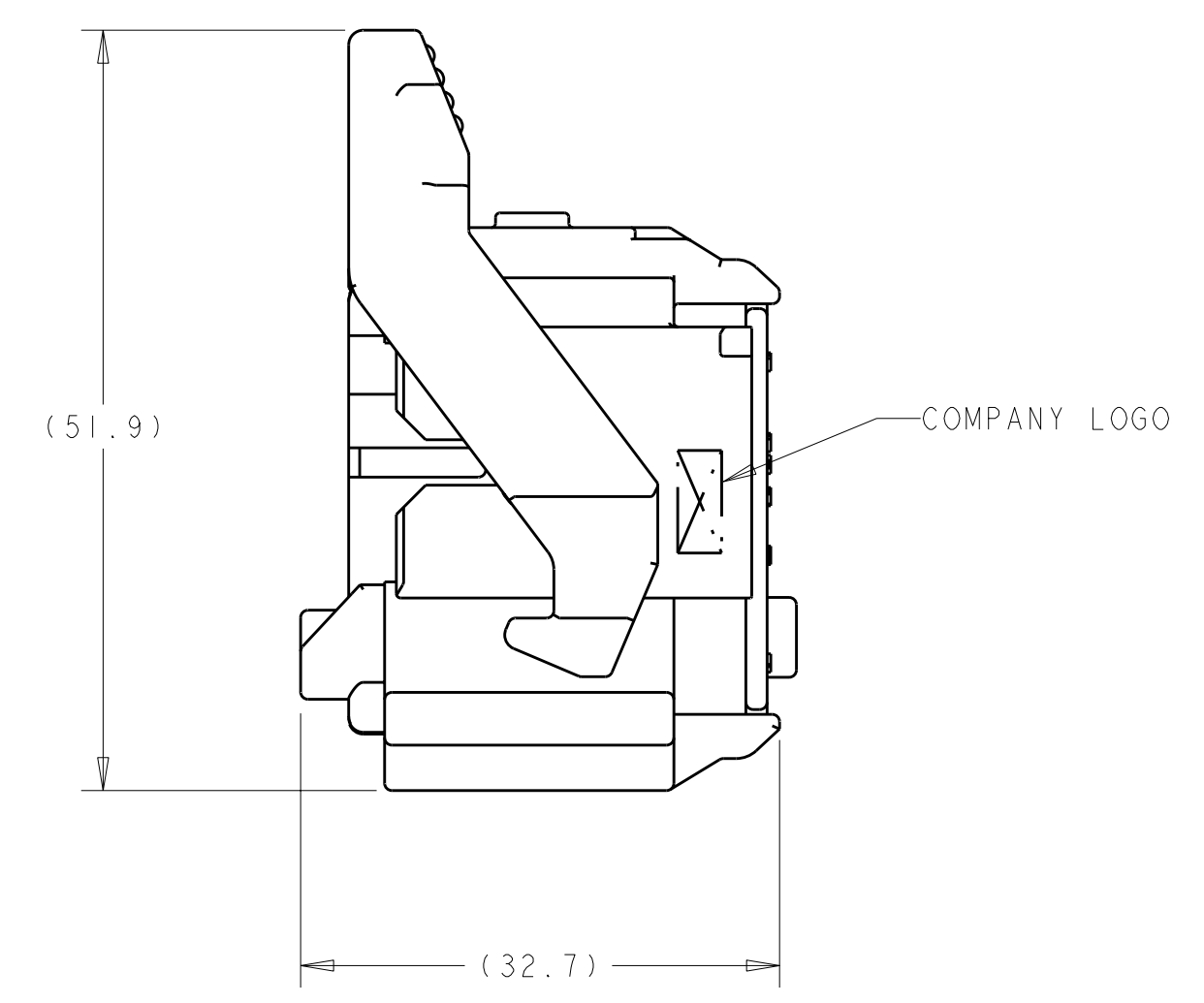
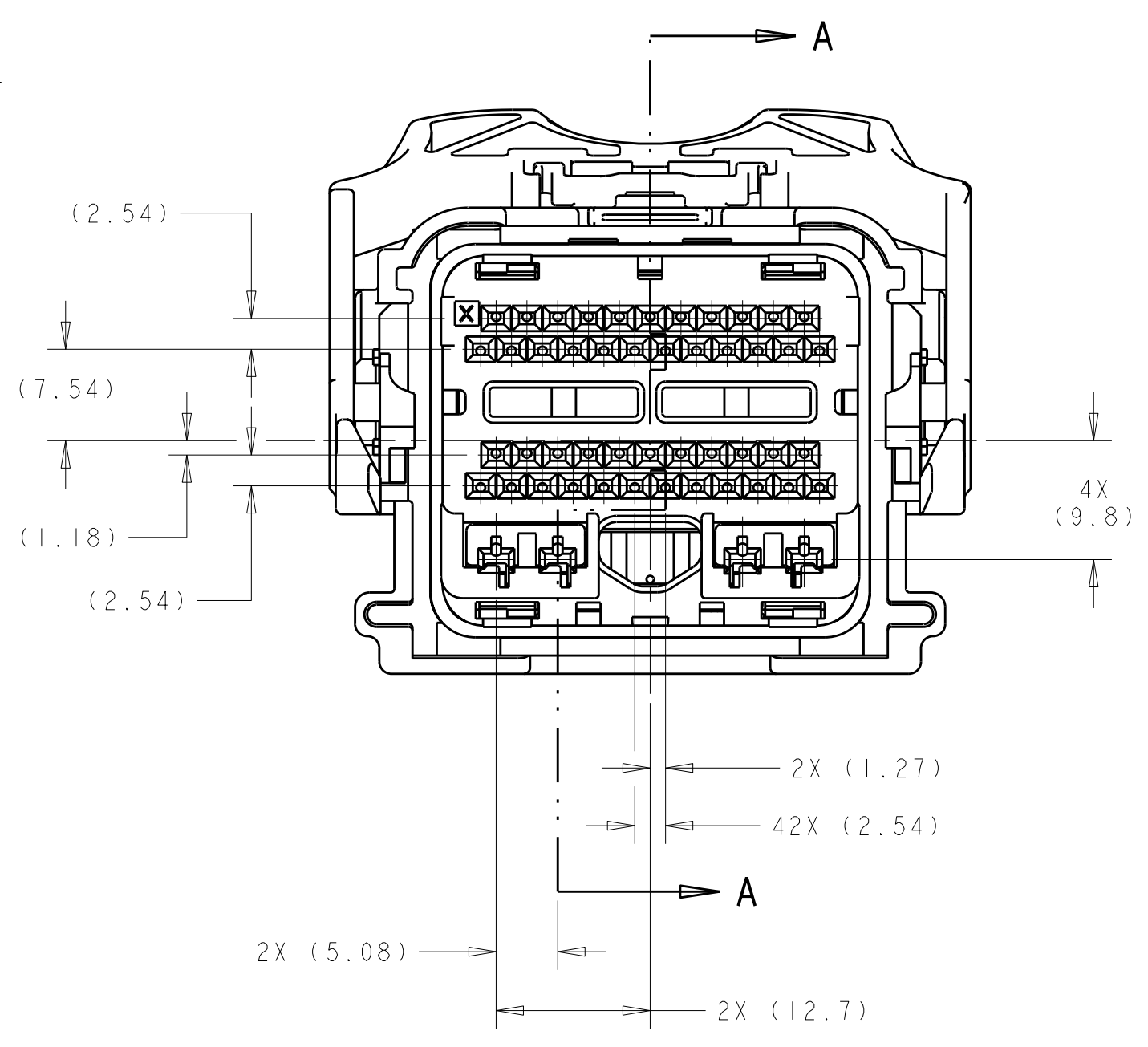


SHOWN WITH SPACER IN SEATED POSITION

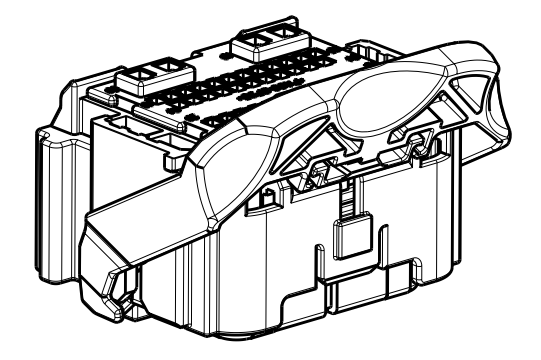
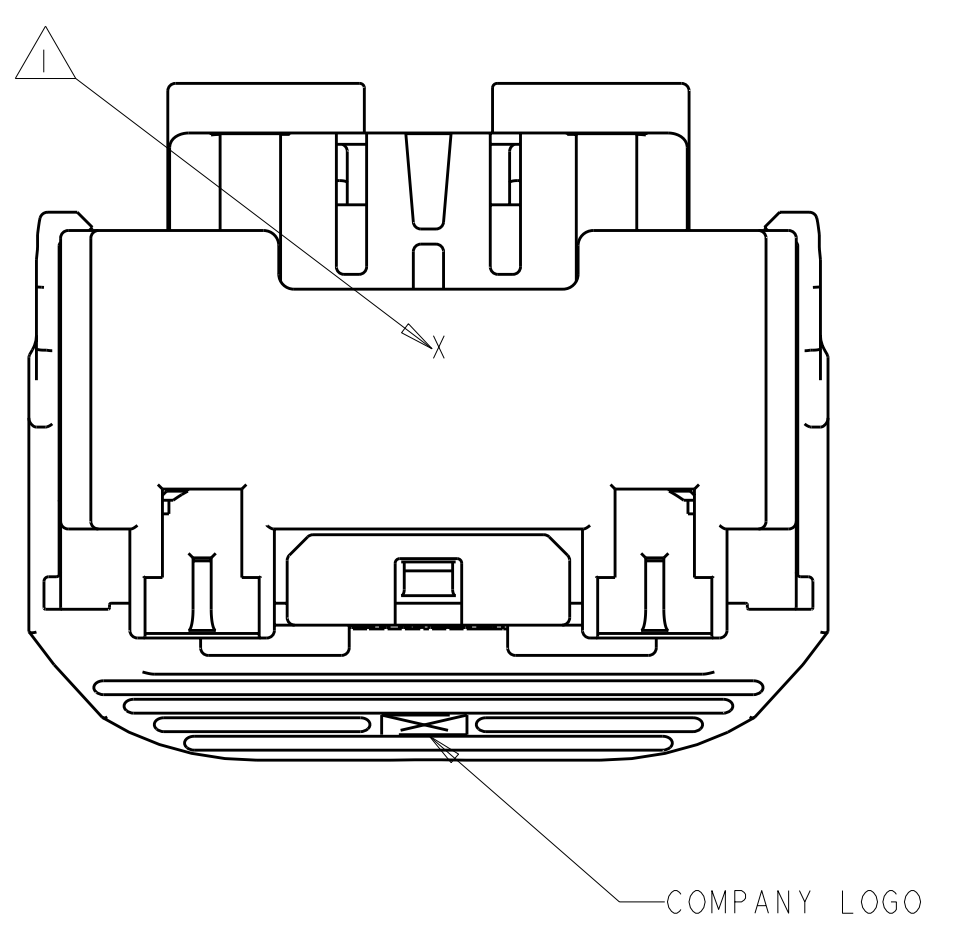
- 1. PRINT TYCO ELECTRONICS PART NUMBER AND TRACEABILITY (YY : 2 DIGIT YEAR, JJJ = JULIAN DATE, HH = 2 DIGIT MILITARY HOUR CODE) IN THE LOCATION AT ASSEMBLY.
- 2. OPTIONAL WIRE SHIELD PART NUMBERS (SOLD SEPARATELY) 1438126, 1438180, 1488373, AND 1488572. CONTACT TYCO ELECTRONICS ENGINEER FOR MINIMUM FEED THRU CONDITION.
- 3. APPLICABLE TERMINAL PART NUMBERS (SOLD SEPARATELY) FOR TIN APPLICATIONS: 1393367 AND 1393366. FOR GOLD APPLICATIONS: 1393365 AND 1393364. FOR TERMINATION AND REELING OPTIONS SEE DRAWINGS 1393367, 1393366, 1393365, AND 1393364.
- 4. APPLICABLE MOLEX (1.5) POWER TERMINAL PART NUMBERS: 33012-0002 TIN 0.50-1.50mm²
- 5. CAM LEVER AND SPACER ARE SHIPPED IN THEIR PRE-ASSEMBLED POSITIONS.



SECTION A-A
SPACER AND LEVER IN
PRE-SEATED POSITION
(DELIVERY CONDITION)



SHOWN WITH CAM
LEVER AND SPACER
IN LOADED POSITION



SCALE 1:1

PART COLOR	DESCRIPTION	ITEM NO.
GREEN	PERIMETER SEAL	6
GRAY	LEVER	5
BROWN	GROMMET SEAL	4
BLACK	COVER	3
NATURAL	SPACER	2
BLACK	HARNESS, KEY "C"	1

DIMENSIONS: mm 		TOLERANCES UNLESS OTHERWISE SPECIFIED: 9 PLC ± 1 PLC ±0.3 2 PLC ±0.10 3 PLC ± 4 PLC ± ANGLES ±1° FINISH		DWN B. CRISAMORE 21 JUL 2004 CHK M. HITCHCOCK 21 JUL 2004 APVD C. MARTIN 21 JUL 2004 NAME PRODUCT SPEC APPLICATION SPEC WEIGHT CUSTOMER DRAWING		Tyco Electronics Harrisburg, PA 17105-3608 NAME PCM 50-WAY HARNESS ASSEMBLY KEY C SIZE CAGE CODE DRAWING NO A11 00779 C=1438693 SCALE 2:1 SHEET 1 OF 4 REV ALL	
-----------------------	--	--	--	--	--	--	--

LOC		DIST		REVISIONS			
FX	00	P	LTB	DESCRIPTION	DATE	DWN	APVD
				SEE SHEET 1			

D			48	47	46	45	44	43	42	41			39	38	37	36	35			33	32	31	30	29	28			26	25	24	23	22	21	20	19	18					14	13	12					9	8	7			5	4	3			1	3-1438693-2
			48			45	44	43	42	41			39	38	37	36	35			33	32	31	30	29	28			26	25	24	23	22	21	20	19	18					14	13	12					9	8	7			5	4	3			1	3-1438693-1
			48	47	46	45	44	43	42	41			39	38	37	36	35			33	32	31	30	29	28			26	25	24	23	22	21	20	19	18					14	13	12		10	9	8			5	4	3			1	3-1438693-0			
			48	47	46	45	44	43		41			39	38	37	36	35			33	32	31	30	29			26				22	21	20	19	18					14	13	12		10	9			5	4			1	2-1438693-9						
			48	47	46	45	44	43		41			39	38	37	36	35			33	32	31	30	29			26				22	21	20	19	18					14	13	12		9		7		5	4			1	2-1438693-8						
			48	47	46	45	44	43	42	41			39	38	37	36	35			33	32	31	30	29			26				22	21	20	19	18					14	13	12		9	8			5	4	3			1	2-1438693-7					
			48	47	46	45	44	43	42	41			39	38	37	36	35			33	32	31	30	29	28			26				22	21	20	19	18					14	13	12		9	8	7		5	4	3			1	2-1438693-6				
		49	48			45	44	43	42	41			39	38	37	36	35			33	32	31	30	29	28			26				22	21	20	19	18					14	13	12		10	9	8		5	4	3			1	2-1438693-5				
			48			45	44	43	42	41			39	38	37	36	35			33	32	31	30	29	28			26				22	21	20	19	18					14	13	12		9	8	7		5	4	3			1	2-1438693-4				
			48	47	46	45	44	43	42	41			39	38	37	36	35			33	32	31	30	29	28			26				22	21	20	19	18					14	13	12		10	9	8	7	5	4	3			1	2-1438693-3				
		49	48	47	46	45	44	43	42	41			39	38	37	36	35			33	32	31	30	29	28			26				22	21	20	19	18					14	13	12		10	9	8		5	4	3			1	2-1438693-2				
			48	47	46	45	44	43					39	38	37	36	35			33	32	31	30	29			26	25	24	23	22	21	20	19	18					14	13	12		10	9			5				1	2-1438693-1						
			48	47	46	45	44	43		41			39	38	37	36	35			33	32	31	30	29			26	25	24	23	22	21	20	19	18					14	13	12		10	9	8		5	4			1	1-1438693-9						
			48	47	46	45	44	43	42	41			39	38	37	36	35			33	32	31	30	29			26	25	24	23	22	21	20	19	18					14	13	12		9	8	7		5	4			1	1-1438693-8						
			48	47	46	45	44	43					39	38	37	36	35			33	32	31	30	29			26				22	21	20	19	18					14	13	12		10	9			5				1	1-1438693-7						
			48	47	46	45	44	43					39	38	37	36	35			33	32	31	30	29			26				22	21	20	19	18					14	13	12		9		7		5				1	1-1438693-6						
			48	47	46	45	44	43	42	41			39	38	37	36	35			33	32	31	30	29			26				22	21	20	19	18					14	13	12		10	9	8		5	4			1	1-1438693-5						
			48	47	46	45	44	43	42	41			39	38	37	36	35			33	32	31	30	29			26				22	21	20	19	18					14	13	12		9	8	7		5	4			1	1-1438693-4						
			48	47	46	45	44	43	42	41			39	38	37	36	35			33	32	31	30	29			26		24	23	22	21	20	19	18					14	13	12		9	8	7	6	5	4	3			1	1-1438693-3					
			48	47	46	45	44	43	42	41			39	38	37	36	35			33	32	31	30	29			26		24	23	22	21	20	19	18					14	13	12		10	9	8		6	5	4	3			1	1-1438693-2				
		48	47	46	45	44	43	42	41			39	38	37	36	35			33	32	31	30	29			26				22	21	20	19	18					14	13	12		10	9	8	7	5	4	3			1	1-1438693-1						
		48			45	44	43	42	41			39	38	37	36	35			33	32	31	30	29			26		24	23	22	21	20	19	18					14	13	12		10	9	8		6	5	4	3			1	1-1438693-0					
		48	47	46	45	44	43	42	41			39	38	37	36	35			33	32	31	30	29			26	25	24	23	22	21	20	19	18					14	13	12		9	8	7		5	4	3			1	1438693-9						
		48			45	44	43	42	41			39	38	37	36	35			33	32	31	30	29			26	25	24	23	22	21	20	19	18					14	13	12		10	9	8		5	4	3			1	1438693-8						
		48			45	44	43	42	41			39	38	37	36	35			33	32	31	30	29			26	25	24	23	22	21	20	19	18					14	13	12		10	9	8		5	4	3			1	1438693-7						
		48	47	46	45	44	43	42	41			39	38	37	36	35			33	32	31	30	29			26	25	24	23	22	21	20	19	18					14	13	12		10	9	8		5	4	3			1	1438693-6						
	49	48			45	44	43	42	41			39	38	37	36	35			33	32	31	30	29			26				22	21	20	19	18					14	13	12		10	9	8		5	4	3			1	1438693-5						

KEYING OPTION C

CAVITIES WITH A NUMERIC SYMBOL INDICATES CLOSED TERMINAL LOCATIONS
 BLANK CAVITIES INDICATES OPEN TERMINAL HOLE LOCATIONS

TERMINAL HOLE POSITION	50	49	48	47	46	45	44	43	42	41	40	39	38	37	36	35	34	33	32	31	30	29	28	27	26	25	24	23	22	21	20	19	18	17	16	15	14	13	12	11	10	9	8	7	6	5	4	3	2	1	ASSEMBLY PART NUMBER
------------------------	----	----	----	----	----	----	----	----	----	----	----	----	----	----	----	----	----	----	----	----	----	----	----	----	----	----	----	----	----	----	----	----	----	----	----	----	----	----	----	----	----	---	---	---	---	---	---	---	---	---	----------------------

PIN-OUT CHART

DIMENSIONS: mm 		TOLERANCES UNLESS OTHERWISE SPECIFIED: 0 PLC ± 1 PLC ±0.3 2 PLC ±0.10 3 PLC ± 4 PLC ± ANGLES ±1° FINISH		DWN: B. CRISAMORE 21 JUL 2004 CHK: M. HITCHCOCK 21 JUL 2004 APVD: C. MARTIN 21 JUL 2004		Tyco Electronics Harrisburg, PA 17105-3608	
MATERIAL:		FINISH:		NAME: PCM PRODUCT SPEC: 50-WAY HARNESS ASSEMBLY APPLICATION SPEC: KEY C		SIZE: A 00779 C=1438693 SCALE: 2:1 SHEET 3 OF 4 REV: ALL	
CUSTOMER DRAWING				RESTRICTED TO:			

