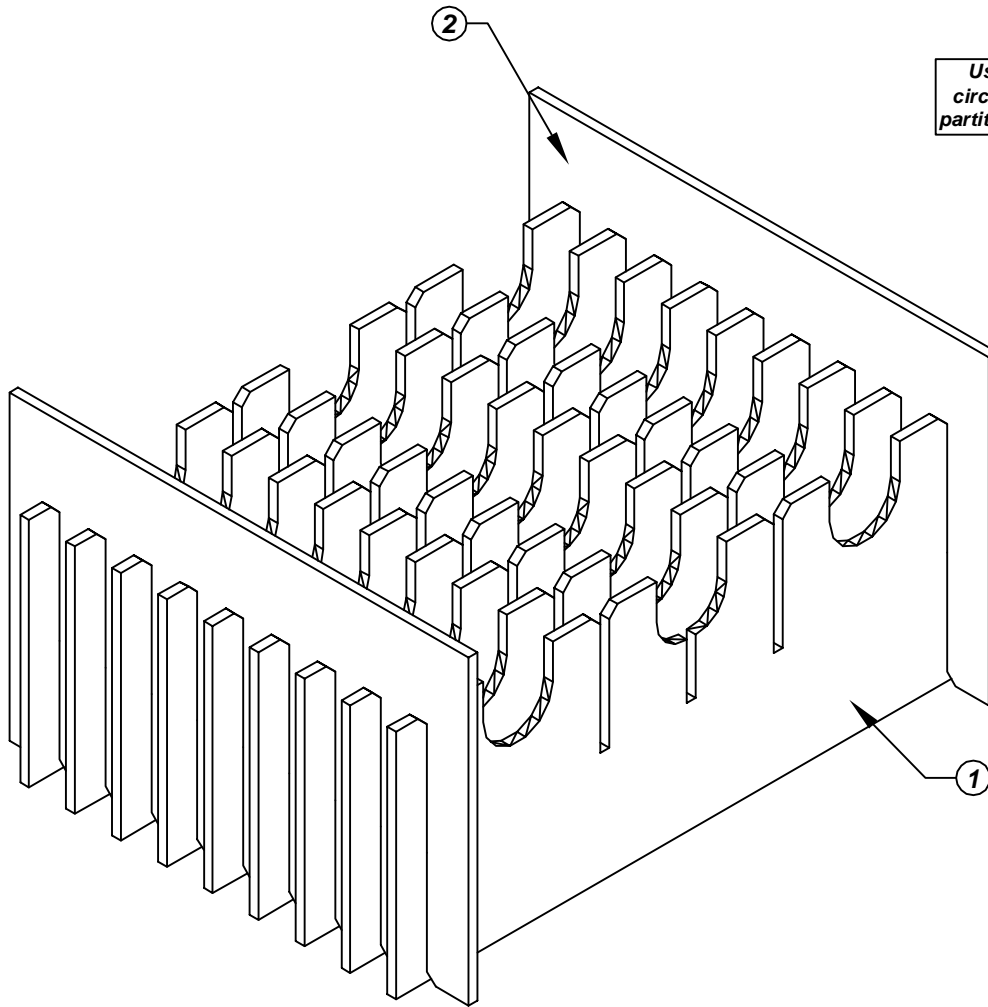
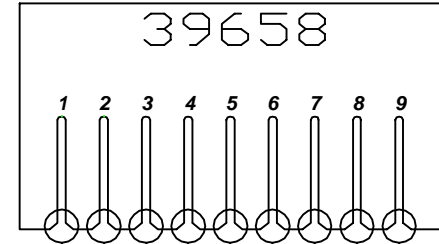


# Assembly Instructions for - 37249

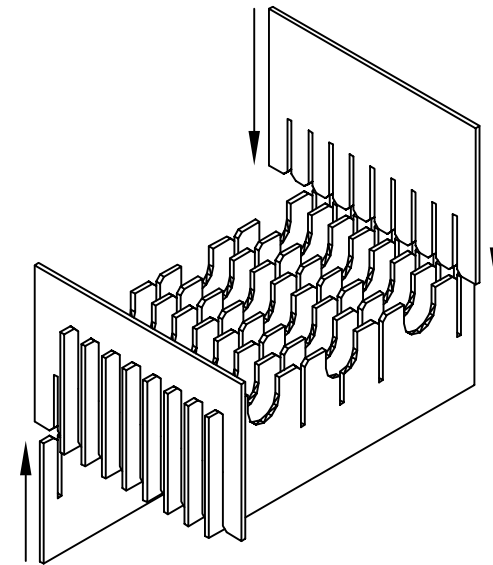
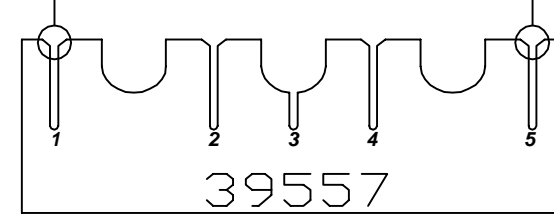


Use only the circled slots for partition assembly

Folded Short Partition



Folded Long Partition



Made in America

F/N ①	Part # 39557	Dimensions: 13-7/16" x 16-7/8"	Description: 436/438-LP Long Partition	Qty: 9
F/N ②	Part # 39658	Dimensions: 17-7/16" x 13-1/8"	Description: 438-SP Short Partition	Qty: 2

## 37249 - 10 Cell Inplant Handler Cell Size - 8-3/4" x 14-5/8" x 1"

Notes:  
For use with the following storage container & lid:  
37512 - Storage Container  
37551 - Lid

PROTEKTIVE PAK  
13520 MONTE VISTA AVENUE, CHINO, CA 91710  
PHONE (909) 627-2578, FAX (909) 363-7331  
ProtektivePak.com

**PROTEKTIVE PAK**  
BURIED CONDUCTIVE LAYER

DRAWING NUMBER  
**IPH-37249**

DATE  
Dec.  
2007