

HEADERS CODINGS

(CODING 2 SHOWN)

| HEADERS CODINGS FOR MODULE T2 (32W) | | | | | |
|-------------------------------------|--------|--------|--------|--------|--------|
| COLOR | CODING | DIM. A | DIM. B | DIM. C | DIM. D |
| BLACK | 1 | 9.1 | 4.3 | 5.9 | 4.3 |
| GREY | 2 | 7.5 | 5.9 | 9.1 | 5.9 |
| BROWN | 3 | 5.9 | 7.5 | 9.1 | 9.1 |
| GREEN | 4 | 7.5 | 9.1 | 4.3 | 4.3 |
| BLUE | 5 | 4.3 | 7.5 | 5.9 | 5.9 |
| YELLOW | 6 | 9.1 | 7.5 | 4.3 | 7.5 |

(CODING 3 SHOWN)

| HEADERS CODINGS FOR MODULE T3 (48W) | | | | | |
|-------------------------------------|--------|--------|--------|--------|--------|
| COLOR | CODING | DIM. A | DIM. B | DIM. C | DIM. D |
| BLACK | 1 | 12.9 | 6.3 | 8.5 | 6.3 |
| GREY | 2 | 10.7 | 8.5 | 12.9 | 8.5 |
| BROWN | 3 | 8.5 | 10.7 | 12.9 | 12.9 |
| GREEN | 4 | 10.7 | 12.9 | 6.3 | 6.3 |
| BLUE | 5 | 6.3 | 10.7 | 8.5 | 8.5 |
| YELLOW | 6 | 12.9 | 10.7 | 6.3 | 10.7 |

NOTE:

- 1- INTERFACE DEFINITION BASED ON NFR13-462 STANDARD.
- 2- HEADER: ELASTICITY MODULUS: 8000Mpa min. (INITIAL CONDITION BEFORE AGEING)

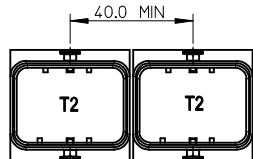
| ENTER DESCRIPTION EC NO: G2010-0220 DRAWN: POCHELE 2010/05/20 CHKD: J. GIURIATO 2008/10/03 APPR: CBOU/CHAN 2010/06/29 | DESCRIPTION GENERAL TOLERANCES (UNLESS SPECIFIED) <table border="1"> <tr> <th></th> <th>mm</th> <th>INCH</th> </tr> <tr> <td>4 PLACES</td> <td>± ---</td> <td>± ---</td> </tr> <tr> <td>3 PLACES</td> <td>± ---</td> <td>± ---</td> </tr> <tr> <td>2 PLACES</td> <td>± 0.10</td> <td>± ---</td> </tr> <tr> <td>1 PLACE</td> <td>± 0.10</td> <td>± ---</td> </tr> </table> ANGULAR ± 2 ° DRAFT WHERE APPLICABLE MUST REMAIN WITHIN DIMENSIONS | | mm | INCH | 4 PLACES | ± --- | ± --- | 3 PLACES | ± --- | ± --- | 2 PLACES | ± 0.10 | ± --- | 1 PLACE | ± 0.10 | ± --- | DIMENSION STYLE MM ONLY | SCALE 2:1 | DESIGN UNITS METRIC | FIRST ANGLE PROJECTION |
|--|--|---|--------------------|--------------------------------------|-----------------------------|-------|-------|----------|-------|-------|----------|--------|-------|---------|--------|-------|-----------------------------------|---------------------|-------------------------------|------------------------|
| | | | mm | INCH | | | | | | | | | | | | | | | | |
| 4 PLACES | ± --- | ± --- | | | | | | | | | | | | | | | | | | |
| 3 PLACES | ± --- | ± --- | | | | | | | | | | | | | | | | | | |
| 2 PLACES | ± 0.10 | ± --- | | | | | | | | | | | | | | | | | | |
| 1 PLACE | ± 0.10 | ± --- | | | | | | | | | | | | | | | | | | |
| DRAWN BY: G. DESBRUERES 2008/10/02 CHECKED BY: J. GIURIATO 2008/10/03 APPROVED BY: O. PLESSIS 2008/10/06 MATERIAL NO.: N/A | DATE: 2008/10/02 DATE: 2008/10/03 DATE: 2008/10/06 | TITLE: INTERFACES FOR CONNECTOR 32 & 48 CKT CMC GENERIC SALES DRAWING | MOLEX INCORPORATED | DOCUMENT NO.: SD-98644-006 | SHEET NO.: 1 OF 3 | | | | | | | | | | | | | | | |

CONNECTOR ON HEADER - OVERALL DIMENSIONS

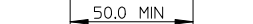
MULTI-HEADERS LAYOUT

LAYOUT FOR TWO INTERFACES T2 (32W)

FOR SAME HARNESS EXIT CONFIGURATION

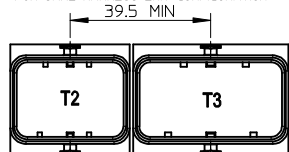


FOR OPPOSITE HARNESS EXIT CONFIGURATION



LAYOUT FOR TWO INTERFACES T2 (32W) AND T3 (48W)

FOR SAME HARNESS EXIT CONFIGURATION

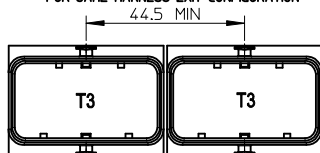


FOR OPPOSITE HARNESS EXIT CONFIGURATION

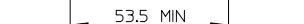


LAYOUT FOR TWO INTERFACES T3 (48W)

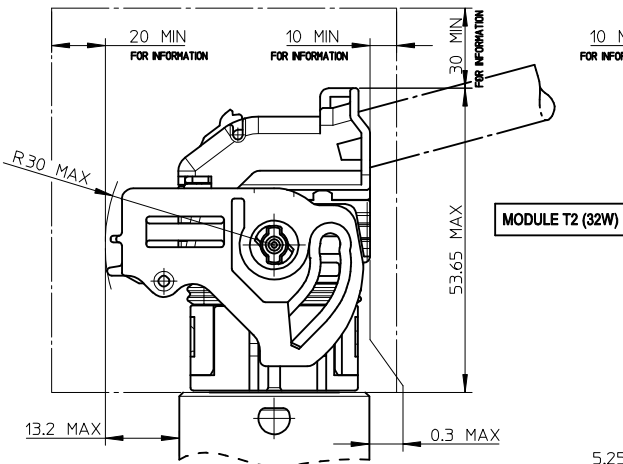
FOR SAME HARNESS EXIT CONFIGURATION



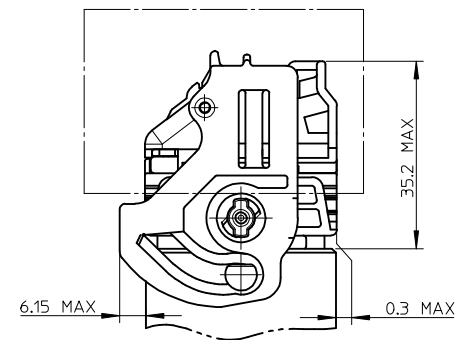
FOR OPPOSITE HARNESS EXIT CONFIGURATION



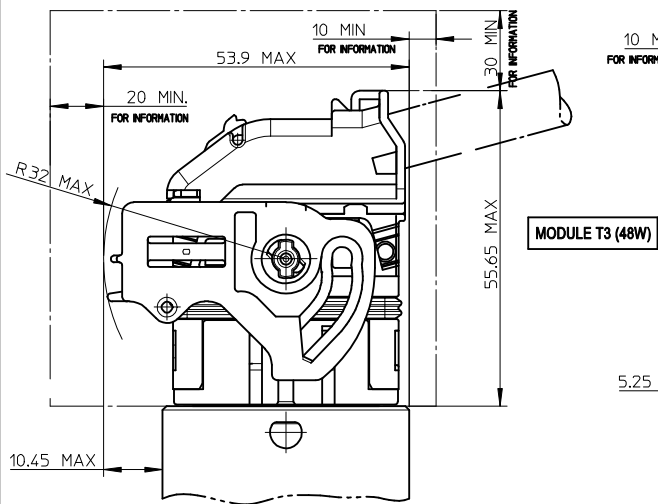
UNLOCKED CONNECTOR - OVERALL DIMENSIONS



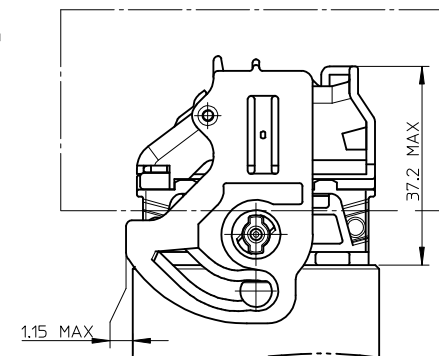
LOCKED CONNECTOR - OVERALL DIMENSIONS



UNLOCKED CONNECTOR - OVERALL DIMENSIONS

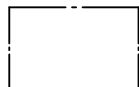


LOCKED CONNECTOR - OVERALL DIMENSIONS



NOTE:
1- T2 = 32 WAY / T3 = 48 WAY

LEGEND:



FREE VOLUME FOR MANUAL LOCKING AND UNLOCKING
DIMENSIONS GIVEN FOR INFORMATION ONLY TO BE
CONFIRMED BASED UPON VEHICLE CONFIGURATION.

| REV | DESCRIPTION |
|-----|-----------------------------|
| 0 | ENTER DESCRIPTION |
| 1 | EC NO: G2010-0220 |
| 2 | DRW: NPDECHELE 2010/05/20 |
| 3 | CHK: J. GIURIATO 2008/10/03 |
| 4 | APPR: EBOUCHAN 2010/06/29 |

GENERAL TOLERANCES (UNLESS SPECIFIED)

| | mm | INCH |
|---------------|--------|---------|
| 4 PLACES | ± 0.10 | ± 0.004 |
| 3 PLACES | ± 0.15 | ± 0.006 |
| 2 PLACES | ± 0.20 | ± 0.008 |
| 1 PLACE | ± 0.30 | ± 0.012 |
| ANGULAR ± 2 ° | | |

DRAFT WHERE APPLICABLE
MUST REMAIN
WITHIN DIMENSIONS

DIMENSION STYLE

| MM ONLY | DATE |
|--------------|--------------------------|
| DRAWN BY | G. DESBRUERES 2008/10/02 |
| CHECKED BY | J. GIURIATO 2008/10/03 |
| APPROVED BY | O. PLESSIS 2008/10/06 |
| MATERIAL NO. | N/A |

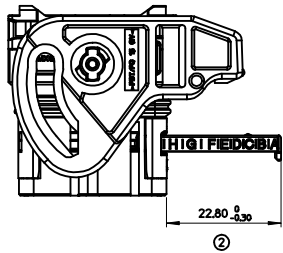
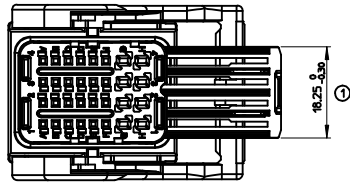
SCALE DESIGN UNITS FIRST ANGLE PROJECTION

| | |
|--------------------|--|
| SCALE | 1:1 |
| DESIGN UNITS | METRIC |
| TITLE | INTERFACES FOR CONNECTOR 32 & 48 CKT CMC GENERIC SALES DRAWING |
| MOLEX INCORPORATED | |
| DOCUMENT NO. | SD-98644-006 |
| SHEET NO. | 3 OF 3 |

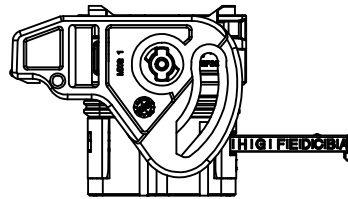
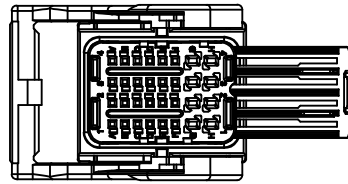
THIS DRAWING CONTAINS INFORMATION THAT IS PROPRIETARY TO MOLEX
INCORPORATED AND SHOULD NOT BE USED WITHOUT WRITTEN PERMISSION

ENCOMBREMENT PORTE-CLIPS D.V. POSITION MONTAGE CLIP
FEMALE MODULE LAYOUT SECONDARY LOCKING POSITION FOR CLIP ASSEMBLY

PORTE-CLIPS SORTIE DROITE
FEMALE MODULE RIGHT WIRE OUTPUT

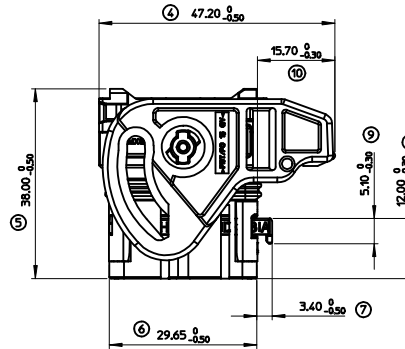
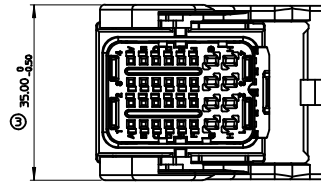


PORTE-CLIPS SORTIE GAUCHE
FEMALE MODULE LEFT WIRE OUTPUT

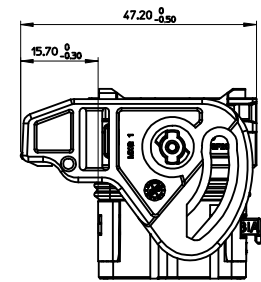
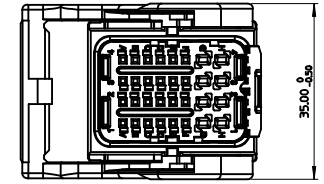


ENCOMBREMENT PORTE-CLIPS D.V. POSITION LIVRAISON
FEMALE MODULE LAYOUT SECONDARY LOCKING IN DELIVERY POSITION

PORTE-CLIPS SORTIE DROITE
FEMALE MODULE RIGHT WIRE OUTPUT

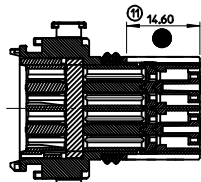
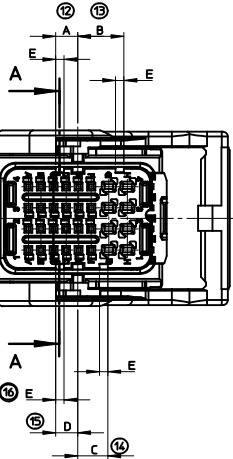


PORTE-CLIPS SORTIE GAUCHE
FEMALE MODULE LEFT WIRE OUTPUT



POSITION DES DETROMPAGE
CODING POSITION

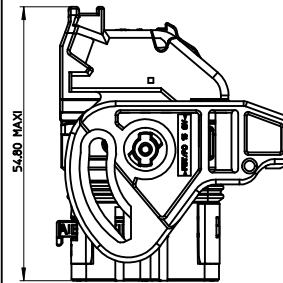
| COULEUR/COLOUR | DETROMPAGE/CODING | A $+0.10$ 0 | B $+0.10$ 0 | C $+0.10$ 0 | D $+0.10$ 0 | E $+0.10$ 0 |
|----------------|-------------------|----------------|----------------|----------------|----------------|----------------|
| NOIR/BLACK | 1 | 4.40 | 9.15 | 5.95 | 4.40 | 1.65 |
| GRIS/GREY | 2 | 5.95 | 7.60 | 9.15 | 5.95 | 1.65 |
| MARRON/BROWN | 3 | 7.60 | 5.95 | 9.15 | 9.15 | 1.65 |
| VERT/GREEN | 4 | 9.15 | 7.60 | 4.40 | 4.40 | 1.65 |
| BLEU/BLUE | 5 | 7.60 | 4.40 | 5.95 | 5.95 | 1.65 |



SECTION A-A
(LEVIER NON REPRESENTE)
(LEVER NOT SHOWN)

| | |
|-----|--|
| ☒ | INDICATION DIMENSIONS S.P.C DENOTES S.P.C DIMENSIONS |
| ⊗ | INDICATION DIMENSIONS CRITIQUES DENOTES CRITICAL DIMENSIONS |
| ● | INDICATION DIMENSIONS FONCTIONNELLES DENOTES FUNCTIONAL DIMENSIONS |
| ☒ | QUANTITE PAR FEUILLE INDIVIDUELLE QUANTITY PER INDIVIDUAL SHEET |
| ☒ 0 | ⊗ 0 ● 1 |

ENCOMBREMENT HORS-TOUT
OVERALL DIMENSION



CONTACTS
FEMALE TERMINAL

| REPERE ALVEOLES CAVITIES NUMBER | CONTACTS FEMALE TERMINAL | REF. MOLEX MOLEX P/N | DIAMETRE ISOLANT FIL MINI / MAXI MIN / MAX WIRE INSULATION DIAMETER |
|---------------------------------|-------------------------------|----------------------|---|
| A1 & F1 | CLIP 0,63 (0.35mm2 à 0.60mm2) | 0986581211 | Ø1.25 min / Ø1.90 max |
| A2 & F2 | | | |
| A3 & F3 | CLIP 0,63 (0.75mm2) | 0986581212 | Ø1.60 min / Ø1.90 max |
| A4 & F4 | | | |
| G1 & G4 | CLIP 1,5 (0.5mm2 à 1mm2) | 0989151029 | Ø1.40 min / Ø2.15 max |
| H1 & H4 | | | |
| | CLIP 1,5 (> 1mm2 à 2mm2) | 0989151039 | Ø2.25 min / Ø2.65 max |

| | | | | | |
|---|--|----------------|---|------------------------|---|
| EC NO: G2009-0313 DRW: PGRANDL2009/06/18 CHKD: PDECHELEZ09/06/18 APPR: CBOUCHANZ09/06/18 | GENERAL TOLERANCES (UNLESS SPECIFIED) | SCALE 2:1 | DESIGN UNITS METRIC | FIRST ANGLE PROJECTION | REVISE ON CAD ONLY |
| | 4 PLACES ± --- ± --- | mm INCH | DIMENSION STYLE MM ONLY | TITLE | PORTE-CLIPS 32 VOIES CMC FEMALE MODULE CMC 32 WAY SALES DRAWING |
| | 3 PLACES ± --- ± --- | DRAWN BY PGR | DATE 99/12/12 | MATERIAL NO. | DOCUMENT NO. SD-98944-010 |
| | 2 PLACES ± 0.10 ± --- | CHECKED BY PDE | DATE 00/02/02 | SHEET NO. 2 OF 2 | |
| 1 PLACE ± 0.15 ± --- | APPROVED BY CBO | DATE 00/02/02 | THIS DRAWING CONTAINS INFORMATION THAT IS PROPRIETARY TO MOLEX INCORPORATED AND SHOULD NOT BE USED WITHOUT WRITTEN PERMISSION | | |
| ANGULAR ± 1 ° | DRAFT WHERE APPLICABLE MUST REMAIN WITHIN DIMENSIONS | | | | |