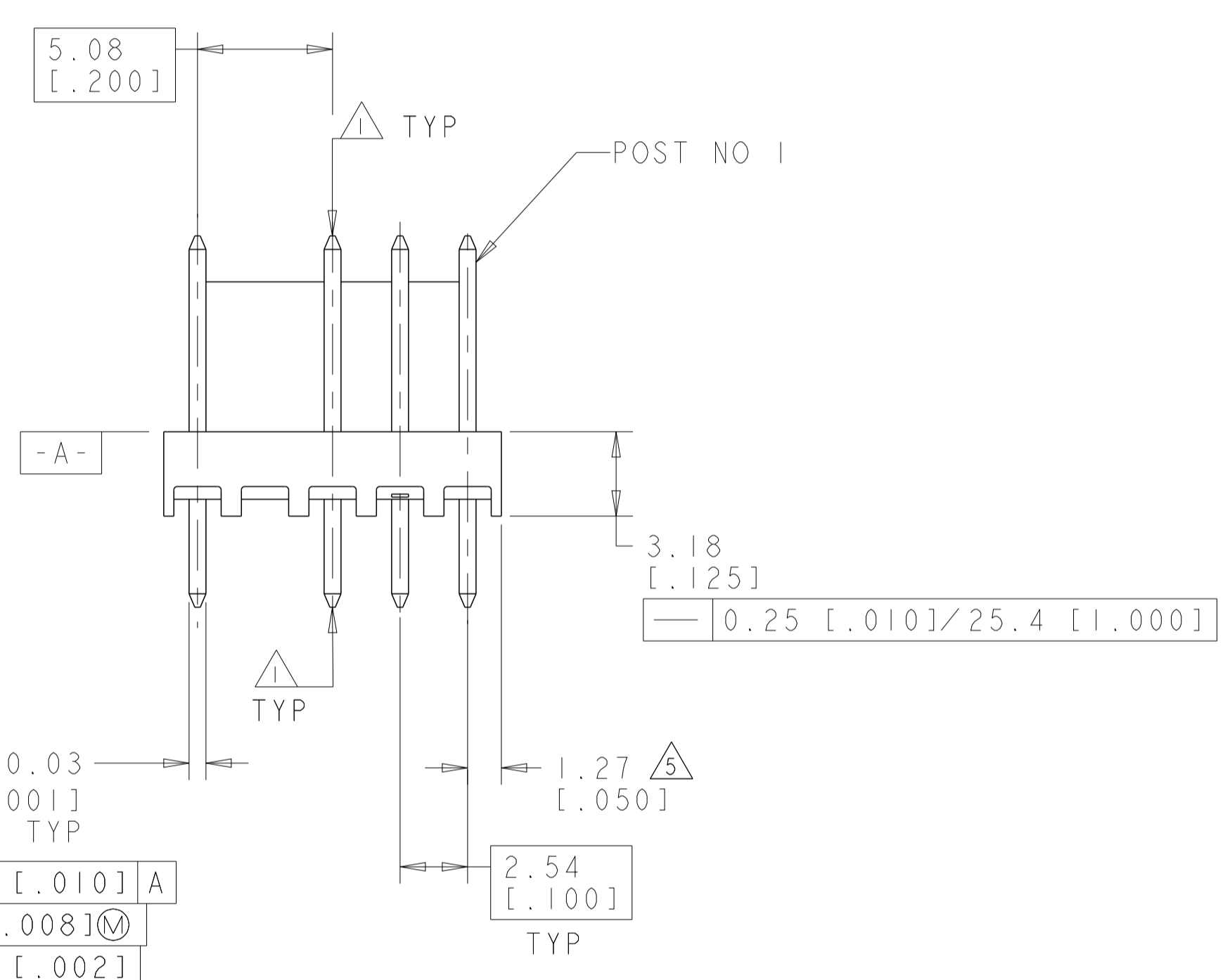
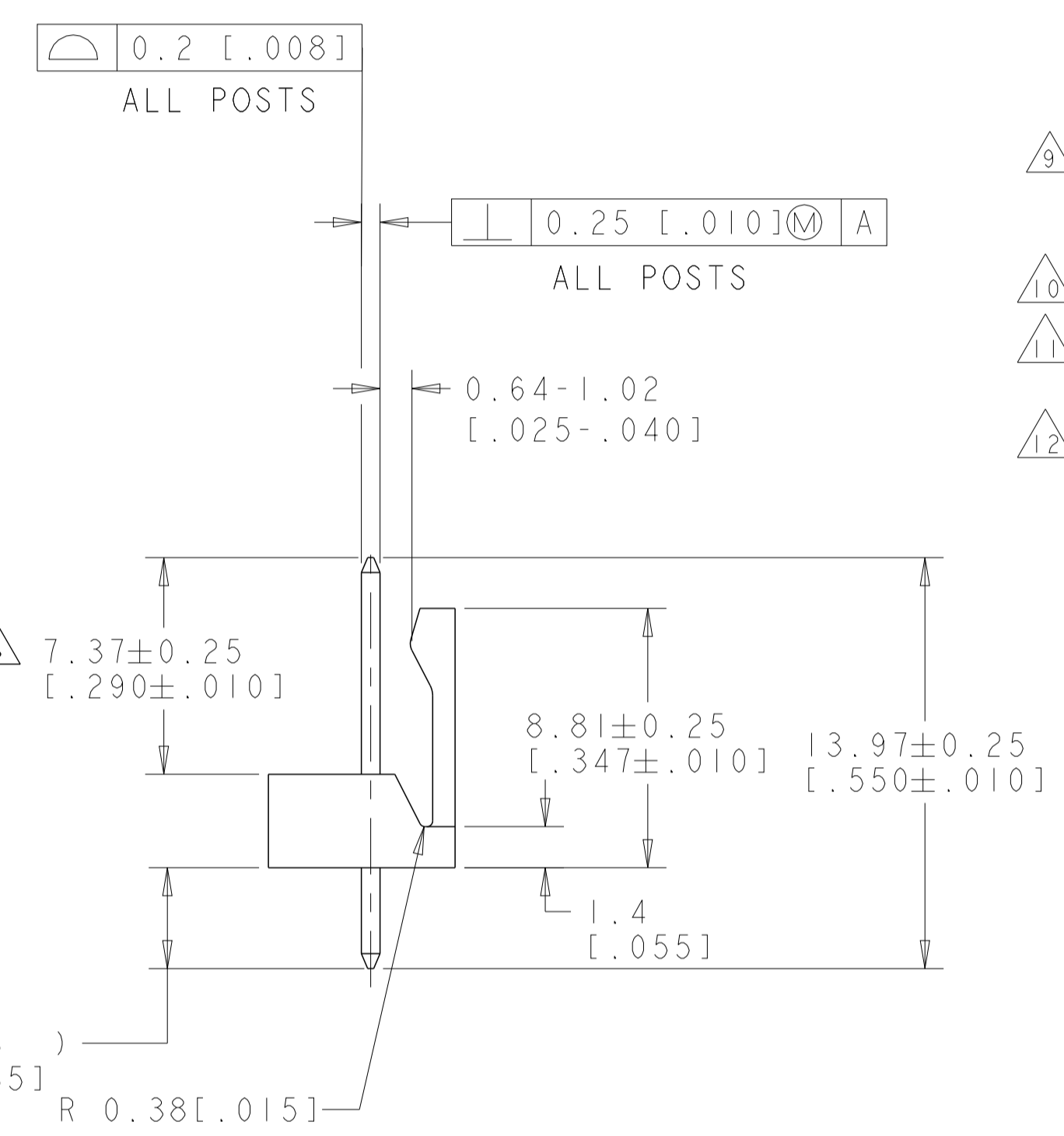
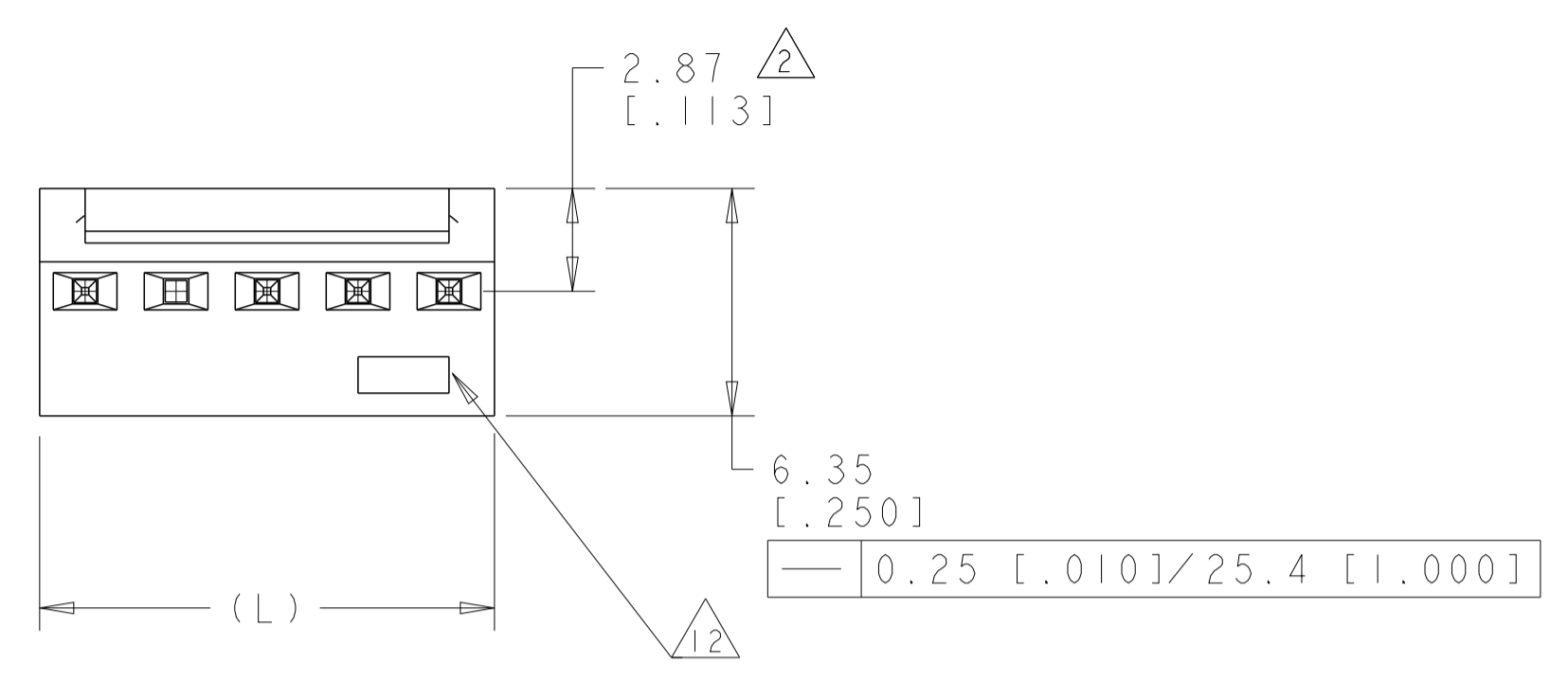
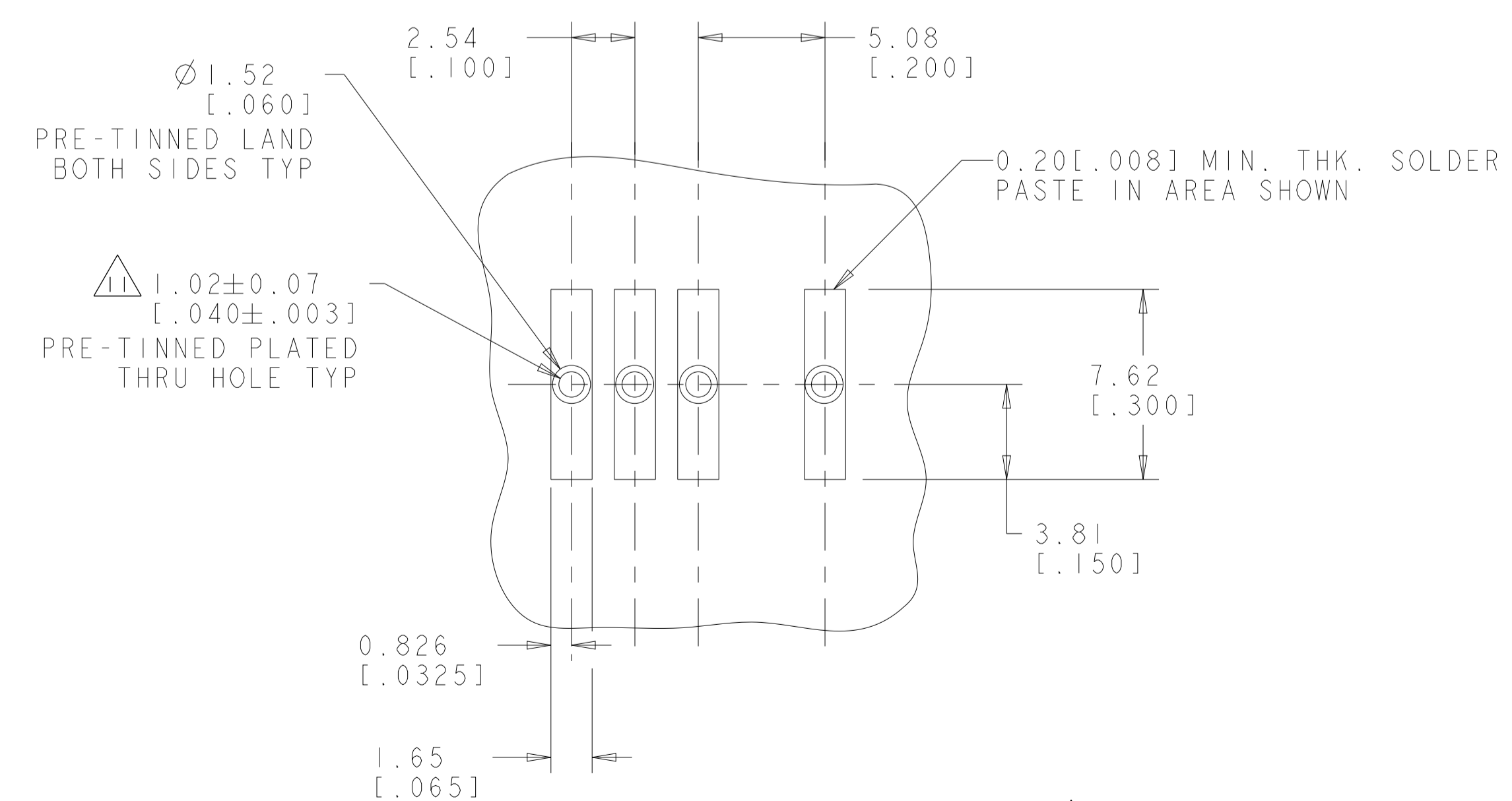


LOC		DIST		REVISIONS			
CM	00	P	LTN	DESCRIPTION	DATE	DWN	APVD
		D		REVISED PER ECO-12-009789	09OCT2012	KH	SM

- 1 POST WITHSTAND 13 NEWTONS (3 LBS) MIN AXIAL FORCE IN DIRECTION SHOWN WITHOUT DISLODGING.
- 2 MEASURED AT [-A-].
- 3 PARTS COMPLY WITH SOLDERABILITY SPEC 109-11-2.
- 4 MATERIAL: HOUSING: NYLON, 4/6, HIGH TEMP, BLACK.
POST: COPPER ALLOY (SEE NOTES 8 & 9 FOR PLATING.)
- 5 COORDINATE DIMENSION APPLIES FROM CENTER OF ACTUAL FEATURE.
- 6 POSTS TO BE MEASURED WHEN STRIP HELD FLAT.
- 7 DIMENSIONS IN BRACKETS ARE IN INCHES.
- 8 PLATING: GOLD PLATE AREA, 0.00038 [.000015] GOLD OR 0.00008 [.000003] MIN GOLD FLASH OVER 0.00030 [.000012] PALLADIUM NICKEL PER TE CONNECTIVITY'S DISCRETION, ALL SIDES, OVER NICKEL UNDERPLATE, 0.00127 [.000050] MIN, ALL SIDES AND ENTIRE LENGTH OF POST.
- 9 PLATING: MATTE TIN PLATE AREA, 0.00381-0.00889 [.000150-.000350] THICK, ALL FOUR SIDES 3.18 [.125].
- 10 TOLERANCES APPLY TO SOLDER SIDE OF BOARD.
- 11 ONE HOLE MAY BE UNDERSIZED 0.81-0.90 [.032-.035] DIAMETER FOR ASSEMBLY RETENTION DURING PROCESSING.
- 12 TE LOGO, UL, AND CSA TRADEMARKS TO APPEAR ON THIS SURFACE.



6/2	0.25 [.010] A
6	0.2 [.008] M A
	0.05 [.002]



YES	4	12.70 [.500]	5	1744053-1
LEAD FREE	OMIT POST(S) NO.	L	NO OF POSN	PART NO

THIS DRAWING IS A CONTROLLED DOCUMENT.

DIMENSIONS: mm [INCHES]

TOLERANCES UNLESS OTHERWISE SPECIFIED:

0 PLC	±
1 PLC	±
2 PLC	±0.131 [.005]
3 PLC	±
4 PLC	±
ANGLES	±0°30'

MATERIAL: 4

FINISH: 4

APVD: R. WHITAKER 13APR04

CHK: D. BOSSI 13APR04

NAME: MTA-100 HEADER ASSY, HIGH TEMPERATURE FRICTION LOCK, .025 SQUARE, STRAIGHT POST, .000015 GOLD, OMIT POST 4

PRODUCT SPEC: APPLICATION SPEC

SIZE: A1

CAGE CODE: 1744053

DRAWING NO: 1744053

SCALE: 5:1

SHEET 1 OF 1

REV D