

4

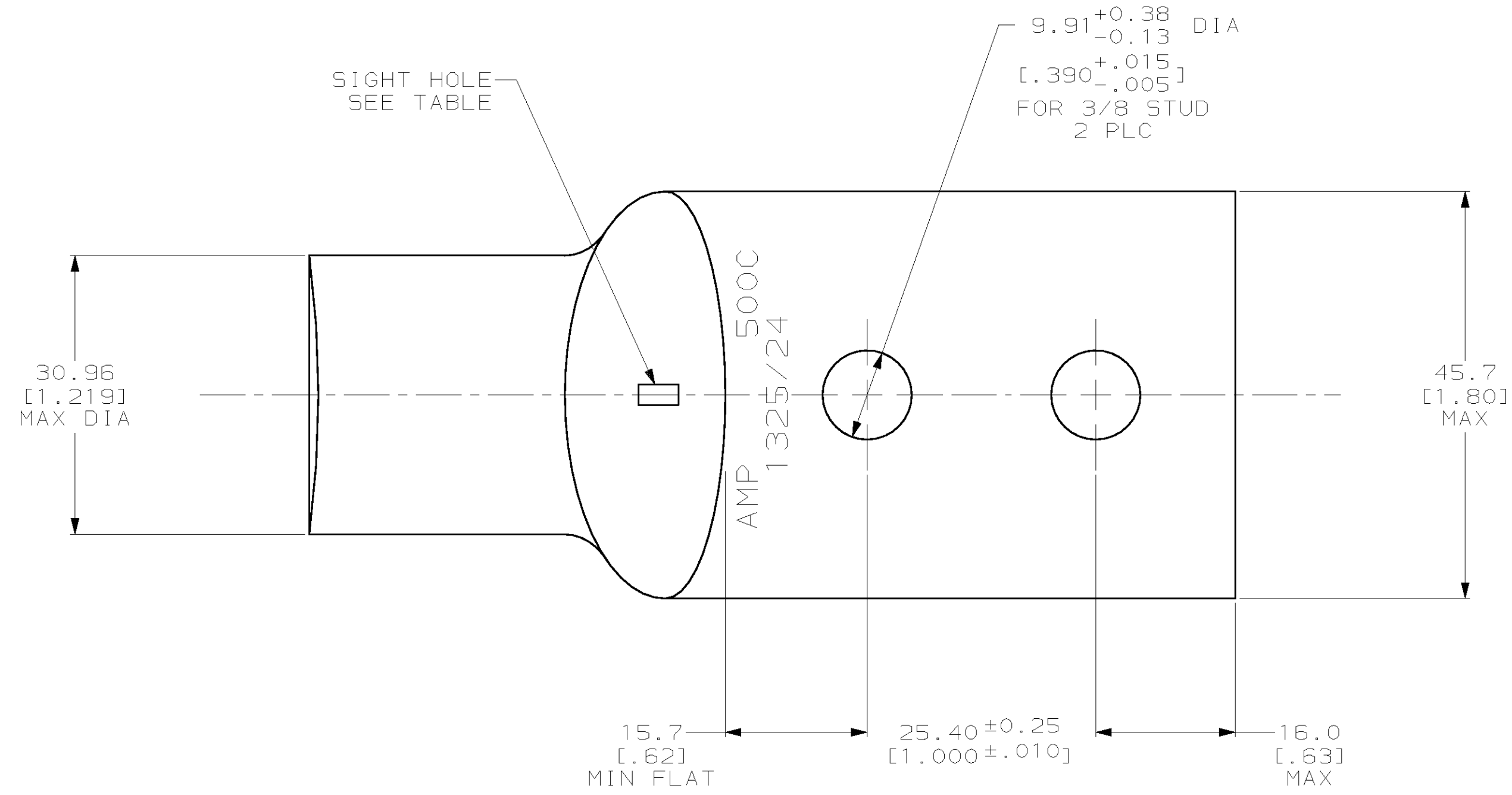
3

2

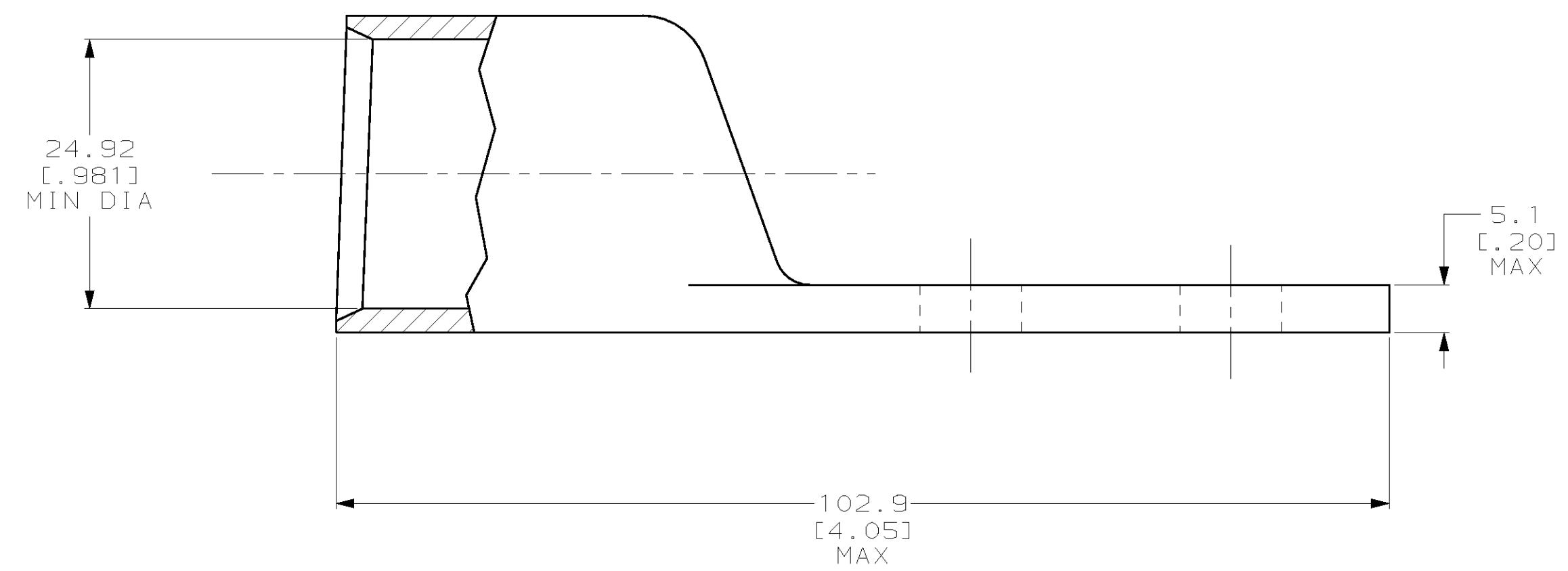
1

THIS DRAWING IS UNPUBLISHED. RELEASED FOR PUBLICATION  
 (C) COPYRIGHT 19 BY AMP INCORPORATED. ALL RIGHTS RESERVED.

| LOC |     | DIST        |                      | REVISIONS |      |    |  |
|-----|-----|-------------|----------------------|-----------|------|----|--|
| P   | LTR | DESCRIPTION | DATE                 | DWN       | APVD |    |  |
| G   | 86  | V           | REV PER 0G3A-0561-01 | 090CT02   | JR   | MS |  |



- 1 CIRCULAR MIL AREA RANGE: 450-550 MCM
- 2 COPPER PER ASTM B-75 ANNEALED
- 3 TIN PL 0.00381 [.000150] MIN THK PER ASTM B-545



|            |                 |
|------------|-----------------|
| NONE       | 326808-3        |
| REQD       | 326808          |
| SIGHT HOLE | AMP PART NUMBER |

|  |             |                               |   |
|--|-------------|-------------------------------|---|
| THIS DRAWING IS A CONTROLLED DOCUMENT.   |             | DWN<br>DK SCHRUM<br>24SEP97   | AMP Incorporated<br>Harrisburg, PA 17105-3608 |
| DIMENSIONS:<br>mm [INCHES]   |             | CHK<br>WJ VOCKROTH<br>25SEP97 |   |
|  |             | APVD<br>JL MECKLEY<br>25SEP97 |   |
| TOLERANCES UNLESS OTHERWISE SPECIFIED:<br>0 PLC ±<br>1 PLC ±<br>2 PLC ±0.51 [.020]<br>3 PLC ±<br>4 PLC ±<br>ANGLES ± |             | NAME<br>JL MECKLEY            |   |
| MATERIAL<br>2  | FINISH<br>3 | PRODUCT SPEC<br>108-30200     | TERMINAL, AMPPOWER™<br>WIRE SIZE: 500 MCM     |
| CUSTOMER DRAWING   |             | APPLICATION SPEC<br>-         | SIZE<br>A2                                    |
|  |             | WEIGHT<br>.401 lbs            | CAGE CODE<br>00779                            |
|  |             | SCALE<br>2:1                  | DRAWING NO<br>326808                          |
|  |             | SHEET<br>1 OF 1               | RESTRICTED TO<br>-                            |
|  |             | REV<br>V                      |   |

326808