

THIS DRAWING IS UNPUBLISHED. RELEASED FOR PUBLICATION 20  
 © COPYRIGHT 20 BY TYCO ELECTRONICS CORPORATION. ALL RIGHTS RESERVED.

| LOC | DIST | REVISIONS |     |                   |           |     |      |
|-----|------|-----------|-----|-------------------|-----------|-----|------|
| CE  | 00   | P         | LTR | DESCRIPTION       | DATE      | DWN | APVD |
|     |      |           | A   | RELEASE TO ACTIVE | 08JUN2006 | BB  | SM   |
|     |      |           | AI  | ADD NOTE 5.       | 12MAY2009 | KG  | SB   |

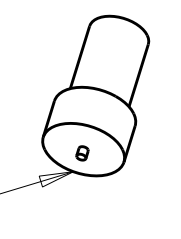
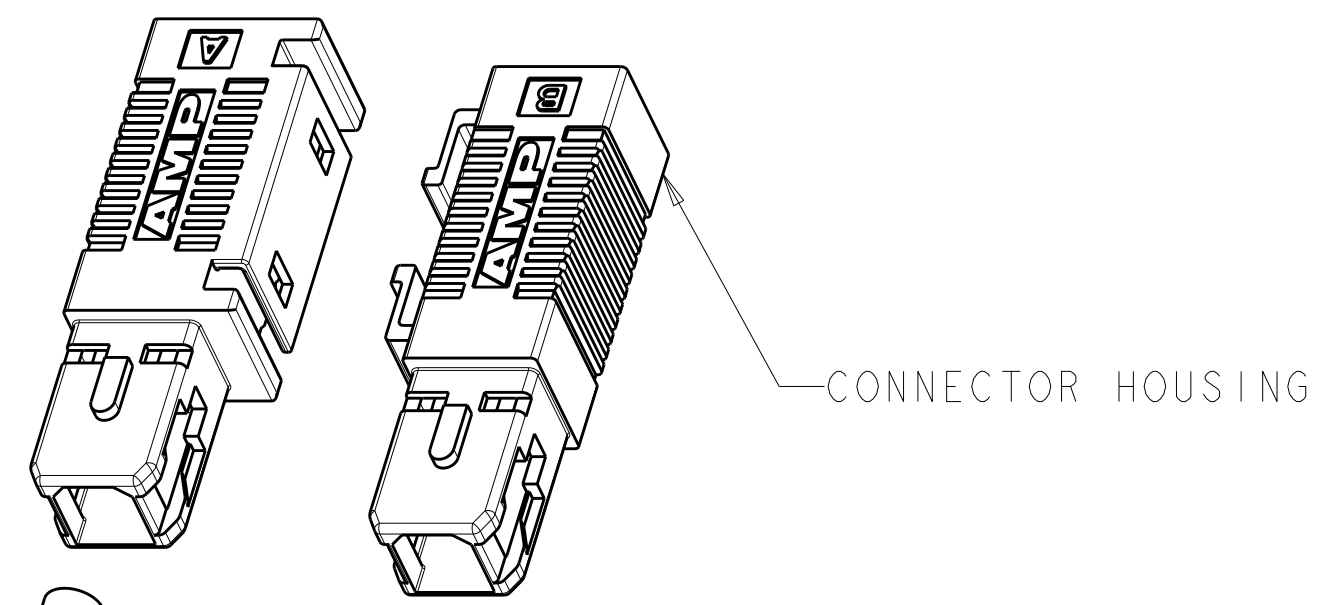
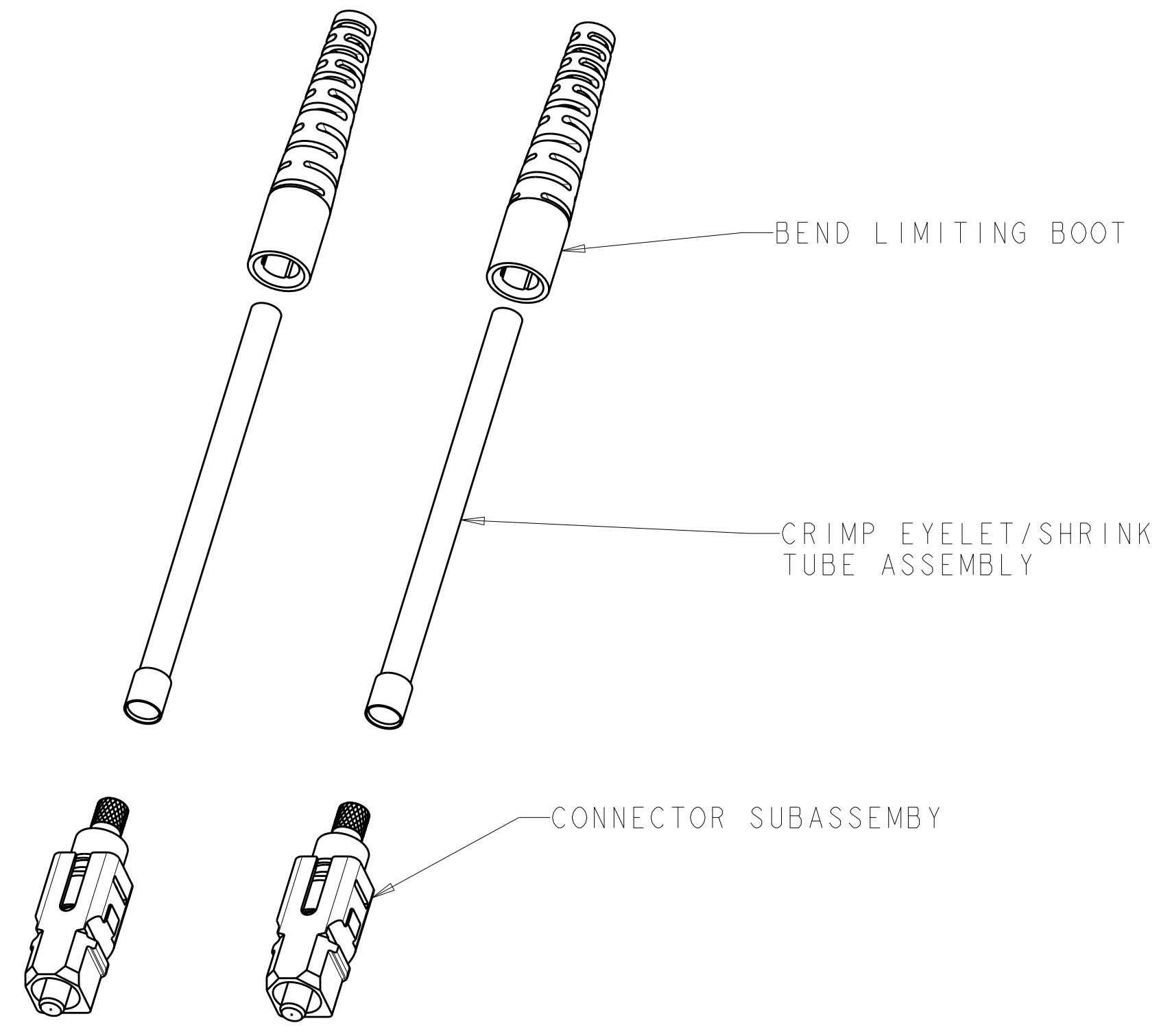
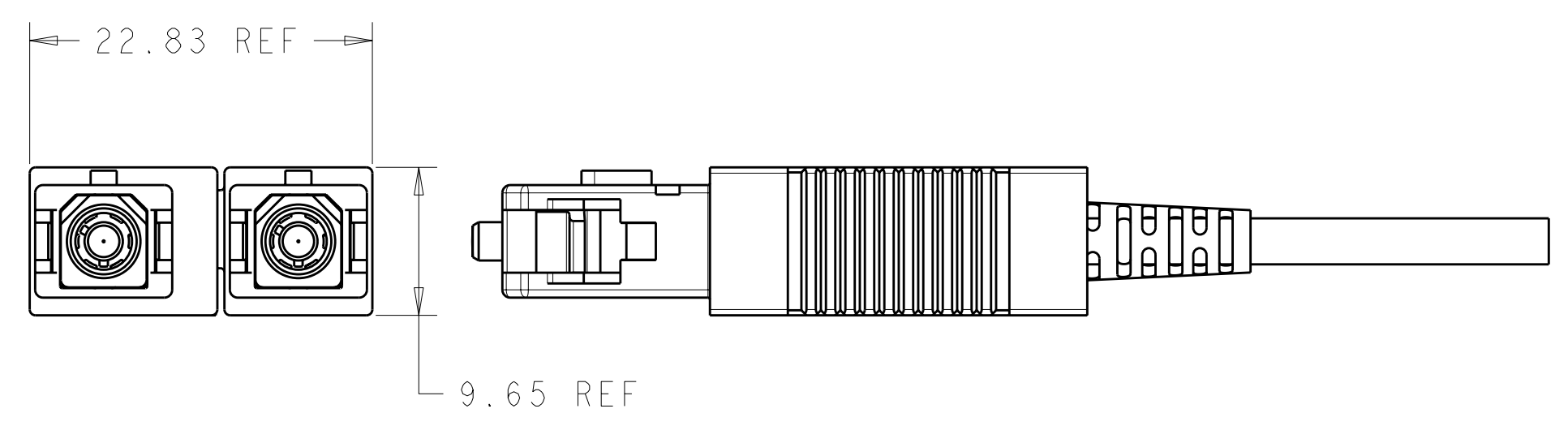
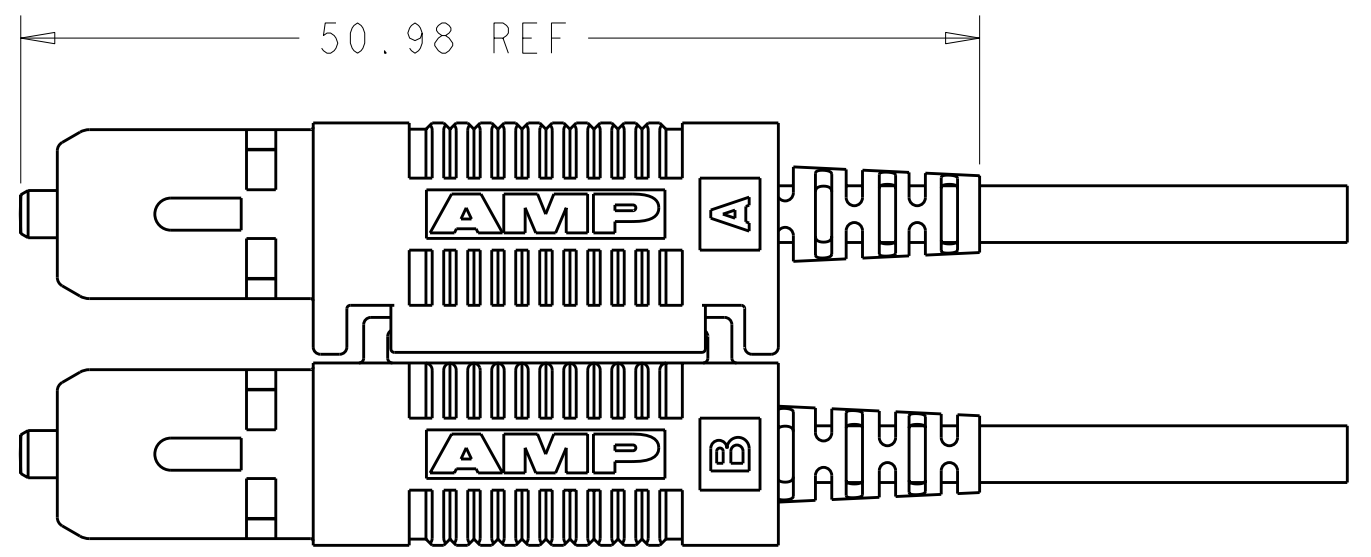
1 MATERIAL:  
 PROTECTIVE COVER: LDPE, COLOR: BLACK, NON-FR.  
 CONNECTOR HOUSING: PBT-GF17, COLOR: BLUE.\*  
 CONNECTOR SUBASSEMBLY:  
 PLUG BODY: PES-GF20, COLOR: BEIGE.\*  
 FERRULE ASSEMBLY: CERAMIC / PBT-GF17. COLOR: BLUE.\*  
 EPOXY - FILL TUBING: PTFE, COLOR: CLEAR, UL VW-1 RATED.  
 SPRING: STAINLESS STEEL.  
 RETAINER BODY: ALUMINUM, CLEAR ANODIZE.  
 CRIMP EYELET/SHRINK TUBE ASSEMBLY: ALUMINUM, CLEAR ANODIZE/POLYOLEFIN,  
 COLOR: WHITE AND YELLOW/BLACK (2.4mm), UL VW-1 RATED.  
 BEND LIMITING BOOT: PP, COLOR: BLUE.\*  
 \*UL94 V-0 RATED AT QUALIFYING THICKNESS.

2 BULK PACKAGE.

3. TO BE USED WITH "LOOSE-JACKETED" CABLE.

4 KIT CONTAINS NO STRAIN RELIEFS.

5. INSTRUCTION SHEET 408-8674 AVAILABLE FOR DOWNLOAD AT  
[www.tycoelectronics.com/documents](http://www.tycoelectronics.com/documents) OR  
[www.ampnetconnect.com/foguide](http://www.ampnetconnect.com/foguide).



|     |             |           |
|-----|-------------|-----------|
| 2   | 2.4mm       | 6693776-6 |
|     | 2.4mm       | 6693776-5 |
| 4 2 | 1.6mm-2.0mm | 6693776-4 |
| 4   | 1.6mm-2.0mm | 6693776-3 |
| 2   | 1.6mm-2.0mm | 6693776-2 |
|     | 1.6mm-2.0mm | 6693776-1 |
|     | CABLE SIZE  | PART NO.  |

|   |  |                                 |   |                    |
|---|--|---------------------------------|---|--------------------|
| THIS DRAWING IS A CONTROLLED DOCUMENT FOR TYCO ELECTRONICS CORPORATION. IT IS SUBJECT TO CHANGE AND THE CONTROLLING ENGINEERING ORGANIZATION SHOULD BE CONTACTED FOR THE LATEST REVISION. |  | DWN<br>B. BRIGGS<br>15JUL2005   | Tyco Electronics<br>Harrisburg, PA 17105-3608     |                    |
| DIMENSIONS:<br>mm   |  | CHK<br>S. MILLER<br>15JUL2005   | NAME<br>KIT, SC SM DUPLEX,<br>1.6mm - 2.4mm CABLE |                    |
| TOLERANCES UNLESS OTHERWISE SPECIFIED:<br>0 PLC ±<br>1 PLC ±<br>2 PLC ±<br>3 PLC ±<br>4 PLC ±<br>ANGLES ±<br>FINISH   |  | APVD<br>S. BUCHTER<br>15JUL2005 | RESTRICTED TO                                     |                    |
| MATERIAL  |  | PRODUCT SPEC<br>-               | SIZE<br>A2  | CAGE CODE<br>00779 |
|   |  | APPLICATION SPEC<br>-           | DRAWING NO<br>6693776                             | REV<br>A1          |
|   |  | WEIGHT<br>-                     | SCALE<br>2:1                                      | SHEET<br>1 OF 1    |
|   |  | CUSTOMER DRAWING                |   |                    |