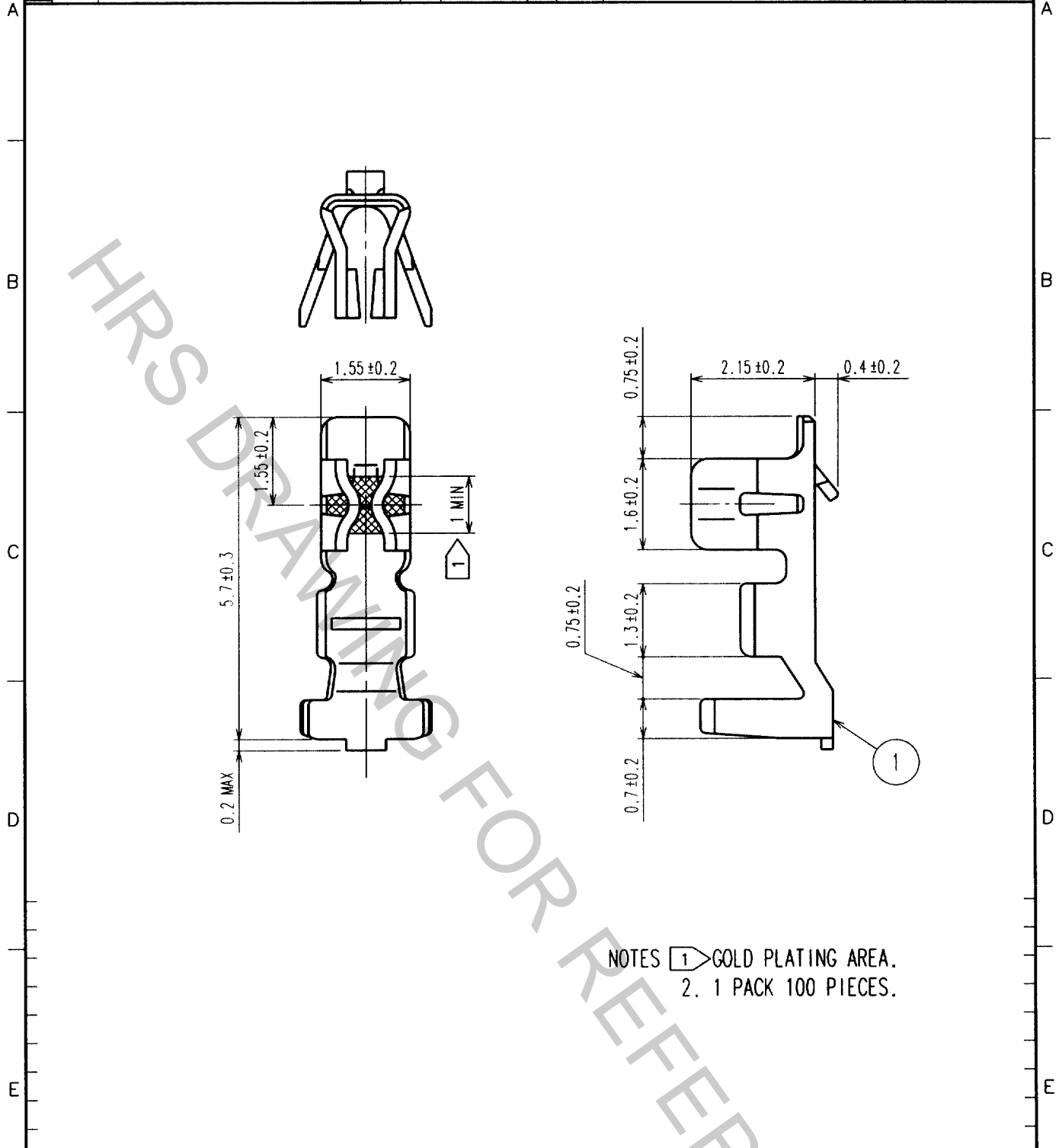


1	2		3		4				
COUNT	DESCRIPTION OF REVISIONS	BY	CHKD	DATE	COUNT	DESCRIPTION OF REVISIONS	BY	CHKD	DATE
△				..	△				..
△					△				..
△					△				..



NOTES 1 GOLD PLATING AREA.  
2. 1 PACK 100 PIECES.

NO. 1		MATERIAL PHOSPHOR BRONZE		FINISH, REMARKS GOLD PLATED	
CODE NO. (OLD)		DRAWN		DESIGNED	
		S. Hara		F. Asai	
		'99. 9. 6		'99. 9. 6	
		CHECKED		APPROVED	
		C. Honami		K. Katayama	
		'99. 9. 6		'99. 9. 6	
		RELEASED			
DRAWING NO. EDC4-020357-01		PART NO. DF3-2428SCC			
SACLE 10 : 1		CODE NO. CL543-0047-3		1/1	
UNITS mm		HIROSE ELECTRIC CO., LTD.			

TO