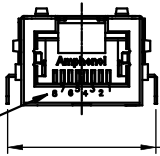
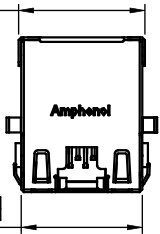


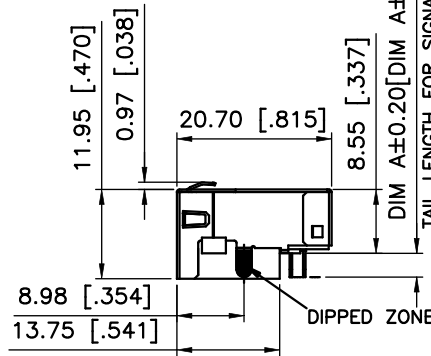
16.90 [.665]

16.20 [.638]

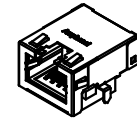


PIN NUMBERS
SHOW FOR REFERENCE
ONLY, IT DOES NOT
SHOW ON ACTUAL PART

19.84 [.781]



8.98 [.354]
13.75 [.541]



NOTES:

ELECTRICAL:

- VOLTAGE RATING : 125 VAC.
- CURRENT RATING : 1.25 AMP.
- INSULATING RESISTANCE : 500 MEGOHMS MINIMUM.
- DIELECTRIC STRENGTH : 1000 VAC 60Hz, 1MIN.
- CATEGORY 6 CHARACTERISTIC:

Frequency MHz	Near-End Crosstalk dB, MIN.	Return Loss dB, MIN.	Insertion loss dB, MAX.
1.0	75.0	30.0	0.1
4.0	75.0	30.0	0.1
8.0	75.0	30.0	0.1
10.0	74.0	30.0	0.1
16.0	69.9	30.0	0.1
20.0	68.0	30.0	0.1
25.0	66.0	30.0	0.1
31.25	64.1	30.0	0.11
62.5	58.1	28.1	0.16
100.0	54.0	24.0	0.20
200.0	48.0	18.0	0.28
250.0	46.0	16.0	0.32

MECHANICAL:

- SHIELD : STAINLESS STEEL, WITH TIN-DIP ON SOLDER TABS.
- HOUSING : HIGH TEMP THERMOPLASTIC. UL 94V-0.
- INSERT : HIGH TEMP THERMOPLASTIC UL 94V-0.
- PCB : FR-4.
- CONTACT : PHOSPHOR BRONZE.
SELECTIVE GOLD PLATING FOR MATING SURFACE,
SEE AMPHENOL PART NUMBER FOR DETAIL.
50u" NICKEL UNDERPLATE
100u" MATTE TIN PLATING ON CONTACT SOLDER TAIL.

ENVIRONMENTAL:

- STORAGE : -40° TO +85°.
 - OPERATION : -40° TO +85°.
- MATES WITH MODULAR PLUG CONFORMING TO TIA 1096.
RECOMMENDED SOLDER PROCESS: WAVE SOLDER, PEAK TEMPERATURE 260° FOR 5 SECOND MAXIMUM.

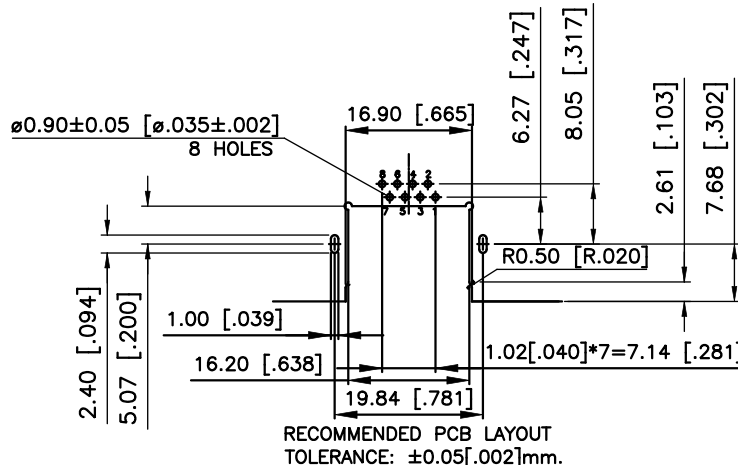
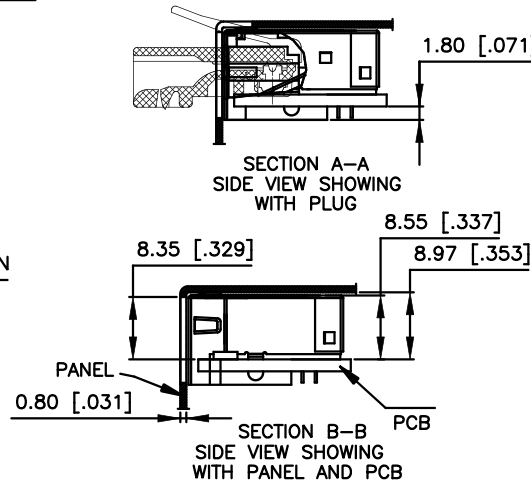
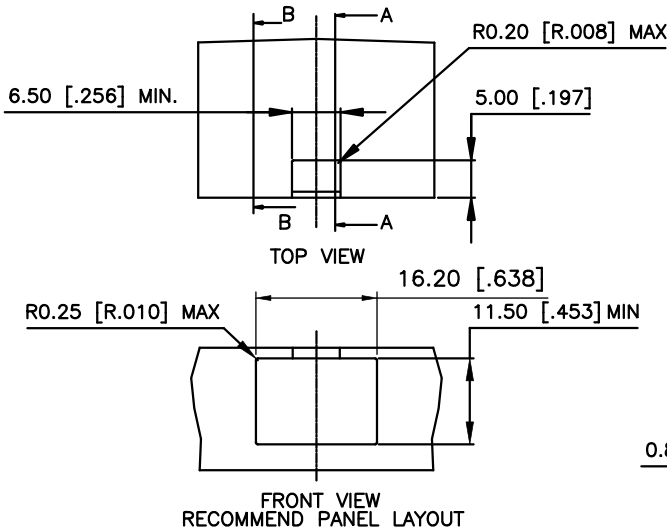
AMPHENOL PART NUMBER: RJE71-188-1X0X

GOLD PLATING OPTION _____ = OPTIONS (SEE BELOW TABLE 1)

- 1=6u" [0.15 MICRONS] GOLD PLATING
- 2=15u" [0.38 MICRONS] GOLD PLATING
- 3=30u" [0.76 MICRONS] GOLD PLATING
- 4=50u" [1.27 MICRONS] GOLD PLATING

TABLE 1

Part Number	Dimension	Dimension
RJE711881XX1	3.18 [.125]	2.36 [.093]
RJE711881XX2	2.27 [.089]	1.57 [.062]
RJE711881XX3	2.16 [.085]	1.57 [.062]
AMPHENOL P/N: DIM A		RECOMMEND PCB THICKNESS



UNLESS SPECIFIED OTHERWISE	DRAWN	HUGH WANG	JULY 04, 2013
PRIMARY UNITS MILLIMETERS	CHECKED	L.CHAN	JULY 04, 2013
SECONDARY INCHES	M.E. APP'D		
REFERENCE IN PARENTHESES	Q.A. APP'D		
GENERAL TOLERANCES FOR MM	DWG APP'D	ADRIAN.G	JULY 04, 2013
1 DECIMAL PLACE ±0.50	ENG. REL. NO.		
2 DECIMAL PLACE ±0.30	REF.		
3 DECIMAL PLACE ±0.10			
ANGULAR DEGREES ±3°			

Amphenol Canada Corp.
www.amphenolcanada.com

MODULAR JACK, SINGLE PORT, 8 POSITIONS, 8 CONTACTS,
SHIELDED WITH TOP & SIDE TABS, WITHOUT LED,
SINK PCB TYPE, TAB UP, CAT6

DWG NO. P-RJE71-188-1X0X REV B

CODE ID NO. 03554 DWG SIZE: C SCALE: N/A SHEET 1 OF 1