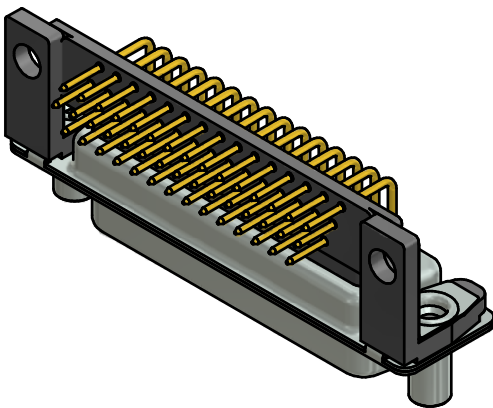
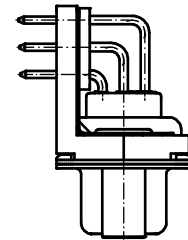
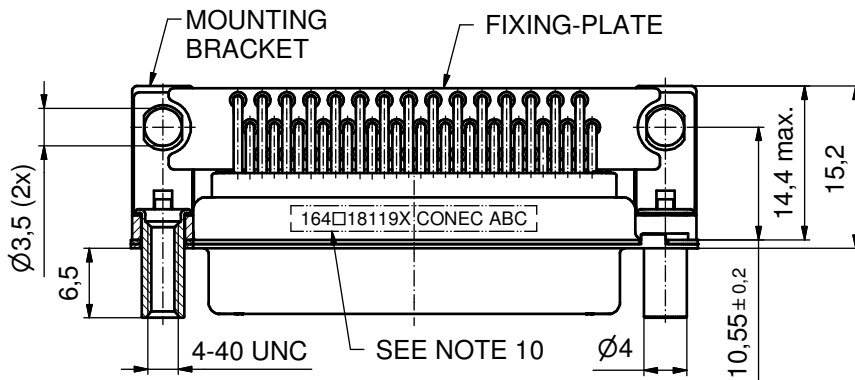
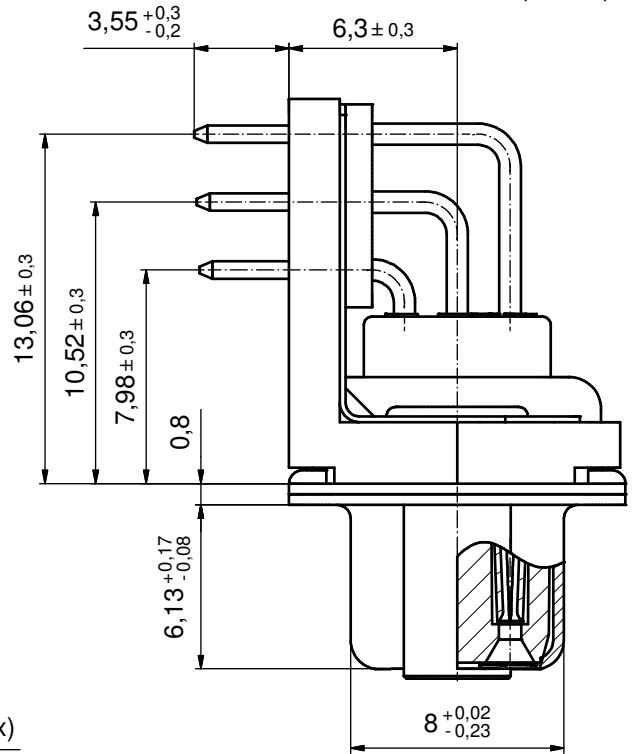
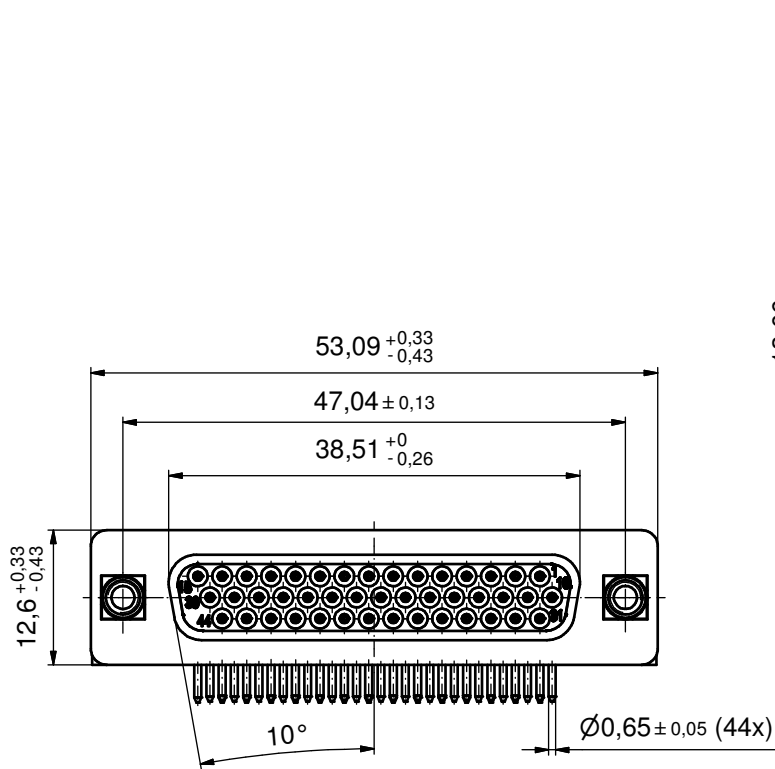


(5:1)



NOTES:

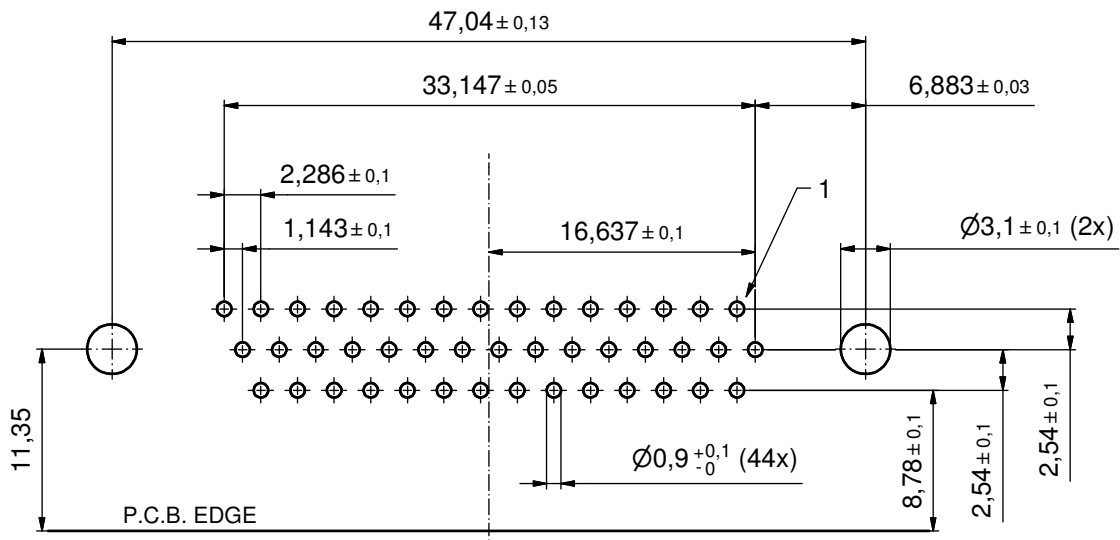
1. METALSHELLS: STEEL; min. 315µm TIN over 40-80µm NICKEL
2. INSULATORS: PBT GF UL 94 V-0, BLACK
3. CONTACTS: COPPER ALLOY; PLATING (SEE PART NO.):
 - PLEASE ADD A for GOLD FLASH over NICKEL (PREFERRED TYPE)
 - PLEASE ADD B for 20µm HARD GOLD over min. 50µm NICKEL
 - PLEASE ADD C for 30µm HARD GOLD over min. 50µm NICKEL
4. MOUNTING BRACKETS: PBT GF UL 94 V-0, BLACK
5. THREADED LOCKS: COPPER ALLOY; min. 200µm TIN over 80µm NICKEL
6. GROUNDING BRACKETS: COPPER ALLOY; min. 200µm TIN over 80µm NICKEL
7. FIXING-PLATE: PBT GF UL 94 V-0, BLACK
8. P.C.B. HOLE DRILLINGS ON SHEET 2
9. MAXIMUM TORQUE VALUE FOR THREAD: 6 in.LB
10. CONNECTOR IS PART MARKED: 164□18119X CONEC ABC (see note 3)

Directive 2002/95/EC RoHS compliant

THIS DRAWING MAY NOT BE COPIED OR REPRODUCED IN ANY WAY, AND MAY NOT BE PASSED ON TO A THIRD PARTY WITHOUT WRITTEN PERMISSION. OWNERSHIP AND COPYRIGHT OF CONEC GmbH DO NOT ALTER CAD DRAWING BY HAND	tolerance		dim. in mm	scale: 2:1 (5:1)	
				material: SEE NOTES	
	date	name	title:		
	drawn 23.10.2014	Henneboel	D-SUB HD FEMALE 90°		
	appd. 23.10.2014	Lehmenkühler	44pos. SOLDER PIN ANGLED 0.350inch		
norm		threaded lock, mounting bracket, fixing plate, grounding bracket			
d-old		dwg no:			
a	Original			DIN-A3	
rev.	description			part no: 164□18119X	sh: 1/2
date	name	(see note 3)			

P.C.B. HOLE DRILLINGS

(P.C.B. TOP SIDE)



THIS DRAWING MAY NOT BE COPIED OR REPRODUCED IN ANY WAY, AND MAY NOT BE PASSED ON TO A THIRD PARTY WITHOUT WRITTEN PERMISSION. OWNERSHIP AND COPYRIGHT OF CONEC GmbH DO NOT ALTER CAD DRAWING BY HAND					tolerance		scale: 3:1
					date	name	material: SEE SHEET 1
					drawn	23.10.2014 Henneboel	title: P.C.B. HOLE DRILLINGS D-SUB HD FEMALE 90° 44pos. 0.350inch threaded lock,mounting bracket,grounding bracket,fixing plate
					appd.	23.10.2014 Lehmenkühler	
					norm		
					d-old		
	a	Original			CONEC ®		dwg no: 16K1A3553
rev.	description	date	name	part no: SEE SHEET 1			sh: 2/2