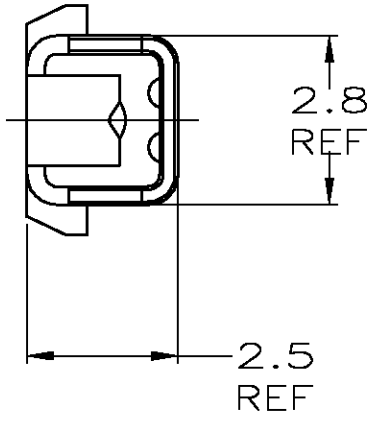
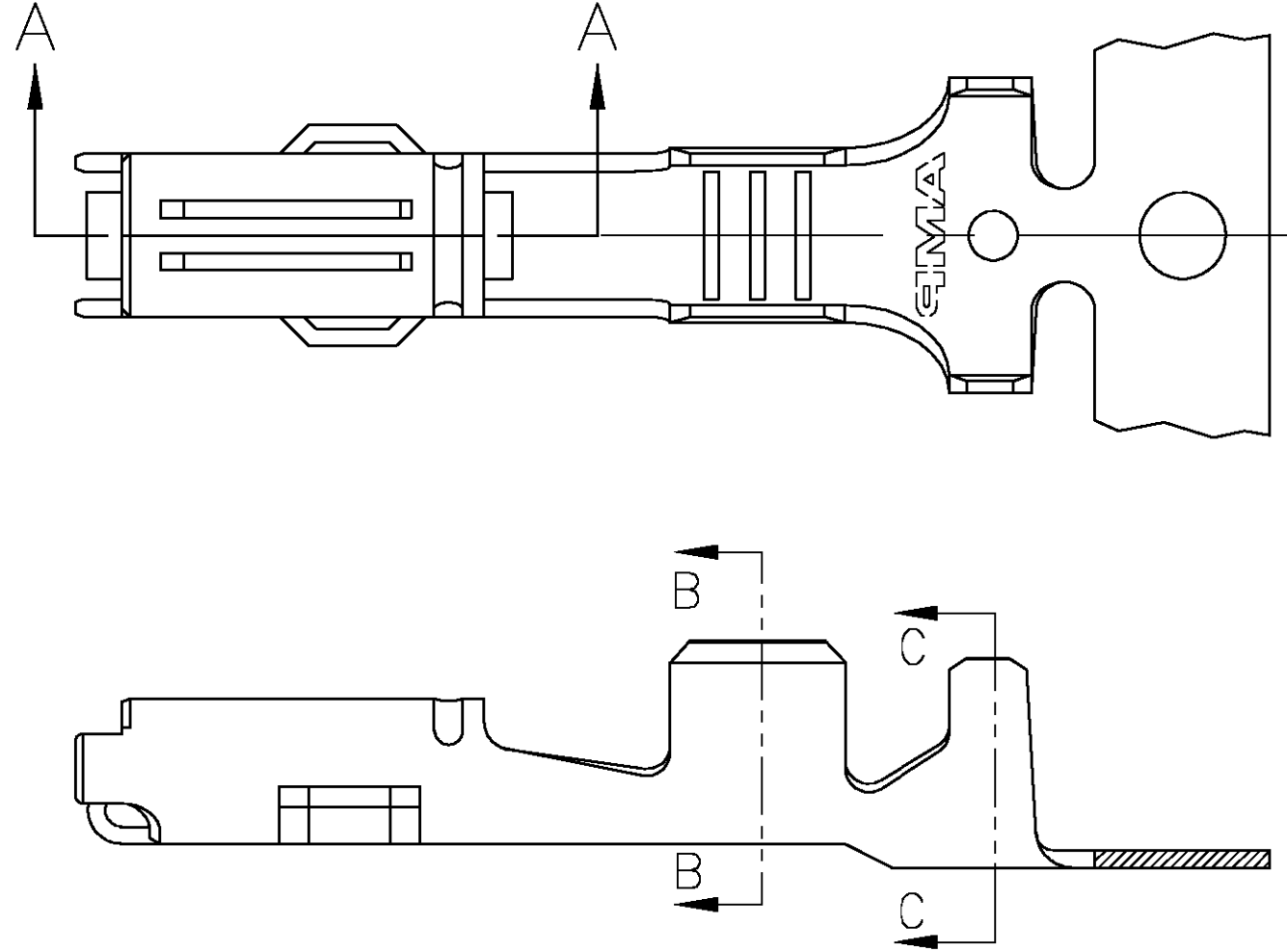


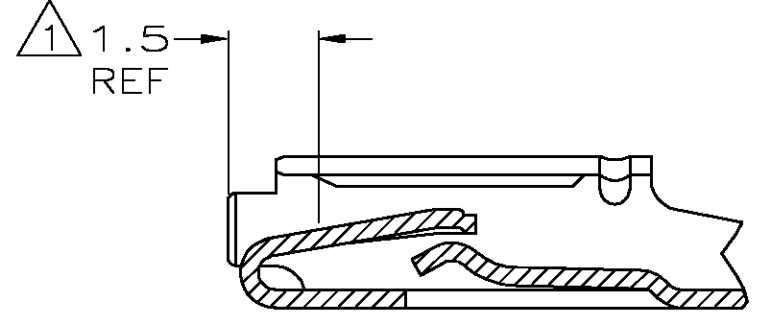
THIS DRAWING IS UNPUBLISHED. RELEASED FOR PUBLICATION
 © COPYRIGHT - BY TYCO ELECTRONICS CORPORATION. ALL RIGHTS RESERVED.

LOC	DIST	REVISIONS					
G	16	P	LTR	DESCRIPTION	DATE	DWN	APVD
		B1		REDRAWN - EC 0K40-0364-03	07MAY03	JRB	KLC

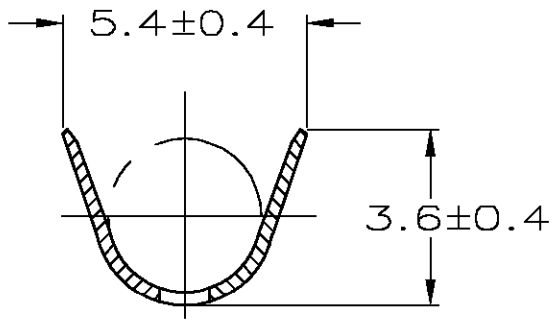
▲ NYE FLUOROETHER GREASE



SECTION A-A
SCALE 8:1



SECTION B-B



SECTION C-C

TIN	1.2 - 2.7φ	AVS 0.5 - 2.0mm ² (#20 - #14 AWG)	184289-3
SELECT GOLD	1.2 - 2.7φ	AVS 0.5 - 2.0mm ² (#20 - #14 AWG)	184289-1
FINISH	INSULATION DIAMETER	WIRE RANGE	PART NUMBER

THIS DRAWING IS A CONTROLLED DOCUMENT.		DWN K.WISE 04/14/97	Tyco Electronics Corporation Harrisburg, PA 17105-3608	
DIMENSIONS: MM		CHK E.OSWANDEL 04/15/97		
TOLERANCES UNLESS OTHERWISE SPECIFIED:		APVD E.OSWANDEL 04/15/97	NAME CONTACT, RECEPTACLE, .070	
0 PLC ± -		PRODUCT SPEC	-	
1 PLC ± 0.3		APPLICATION SPEC	-	
2 PLC ± -		WEIGHT	-	
3 PLC ± -		CUSTOMER DRAWING	SIZE A3	CAGE CODE 00779
4 PLC ± -			DRAWING NO C-184289	RESTRICTED TO -
ANGLES ± 2'			SCALE 8:1	SHEET 1 OF 1
MATERIAL PH BRZ (0.3 THK)	FINISH -		REV B1	