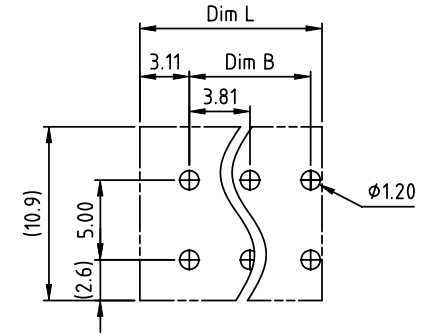
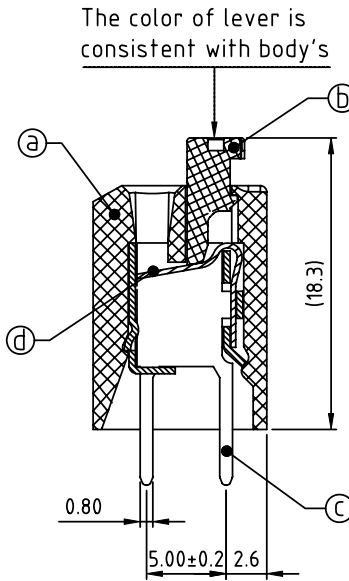
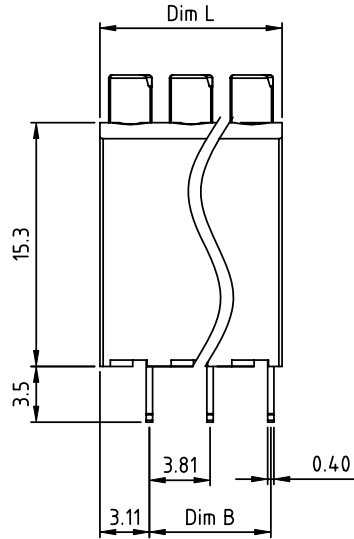
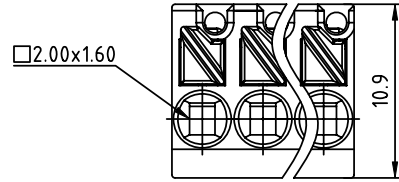


PRODUCT NUMBER	PITCH
HVxx30x000JOG	3.81mm



RECOMMENDED P.C.B LAYOUT
TOP VIEW

Material:

- Item (a) Insulating body: Thermoplastic (UL94V-0)
- Item (b) Insulating lever: Thermoplastic (UL94V-0)
- Item (c) Solder pin: Brass, Tin plated
- Item (d) Spring clamp: Stainless steel

Electrical

- Voltage rating: 300V 500V
- Current rating: 8A 10A
- Wire range: 0.5-1.5mm²
- Solid wire(AWG): 16-20
- Stranded wire(AWG): 16-20
- Wire strip length: 8-9mm
- Withstanding Voltage: 1.6KV 1.89KV
- Operating temperature: -40°C to +115°C
- Soldering temperature: 260°C±5°C/5 Sec
- Safety Approval:

N=Number of poles
Dim L=Nx3.81
Dim B=(N-1)x3.81

Poles	Tolerance
2-6p	±0.15
7-12p	±0.20
13-18p	±0.25
19-24p	±0.30

PART NO.: HV xx 30 x 000JOG

No. of poles	Body Color	RoHS compliant
0	Black (RAL9005)	(lead<4%)
02	Red (RAL3001/D)	In copper Alloy
03	Orange(RAL2011/P)	
04	Yellow(RAL1018/A)	
...	...	
05	Green(RAL6018/T)	
24	24 poles	
6	Blue (RAL5015/A)	
8	Grey(RAL7004/P)	
9	White(RAL1102)	
C	Multiple colors	

mat'l. code		surface ASME Y14.5	tolerance ASME Y14.5	projection	product family TERMINAL BLOCK
ltr	ecn no	dr	date		title TERMINAL BLOCK SPRING CLAMP,90D WIRE INLET
tolerances unless otherwise specified					
angles		X.±0.5		scale	dwg no HVxx30x000JOG
X*±1°		X.X±0.3			
dr		EVIN ZHONG 052914			type CUSTOMER Drawing
enr		EVIN ZHONG 052914			
chr		HANKE FENG 052914			
appd		SHI JUN 052914			
sheet index	revision	A			
	sheet	1			