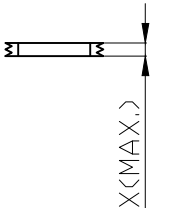
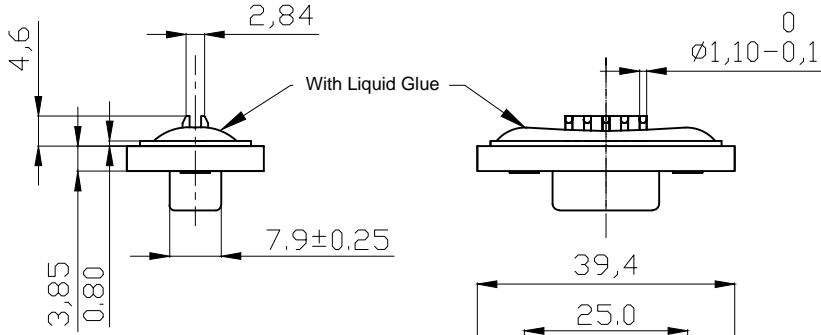
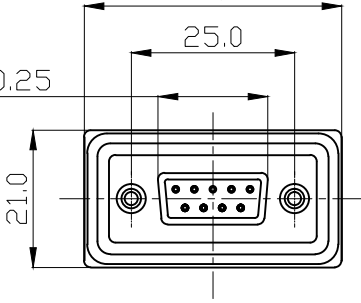

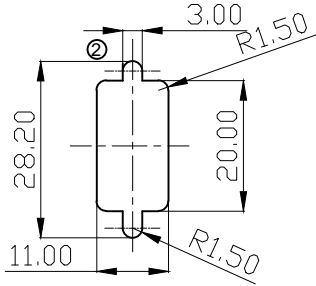
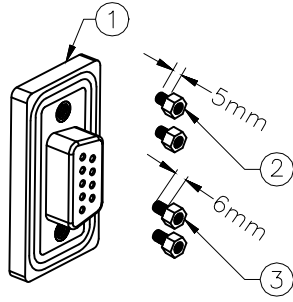
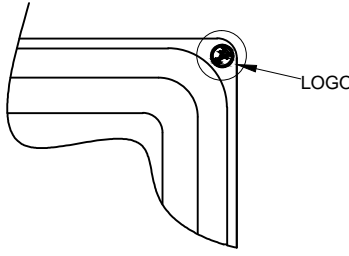





	1	2	3	4	5	6	7																																																																						
A							<p><b>NOTES:</b></p> <p><b>MATERIAL</b></p> <ol style="list-style-type: none"> <li>1. Insulator Material: Black, NYLON+G/F</li> <li>2. Contact Material : Copper Alloy</li> <li>3. Plating : Gold Plating</li> <li>4. Waterproof Rate: IP67</li> <li>5. Applicable Wire Range: 22AWG-26AWG</li> <li>6. Do Mating Test After Glued</li> <li>7. LOGO </li> </ol>		A																																																																				
B									<p>Panel Thickness Screw L=5.0 For Panel Thickness Under 1.2mm Screw L=6.0 For Panel Thickness Between 1.2-2.0mm</p>						B																																																														
C							<p><b>Recommended Panel Cut-Out</b></p>		C																																																																				
D													D																																																																
E									E																																																																				
F									F																																																																				
G	<p><b>RoHS compliant</b></p>		<table border="1"> <tr> <td>Scale</td> <td>1:1</td> <td></td> <td></td> <td></td> <td>Date</td> <td>Name</td> <td>Customer-No.</td> </tr> <tr> <td>TOLERANCE</td> <td></td> <td></td> <td></td> <td></td> <td>Drawn</td> <td>18.12.2008</td> <td>JACK</td> </tr> <tr> <td>X.X</td> <td>±0.25</td> <td></td> <td></td> <td></td> <td>Approved</td> <td>13.08.2015</td> <td>Joanna</td> </tr> <tr> <td>X.XX</td> <td>±0.10</td> <td></td> <td></td> <td></td> <td></td> <td></td> <td></td> </tr> <tr> <td>X.XXX</td> <td>±0.05</td> <td></td> <td></td> <td></td> <td></td> <td></td> <td></td> </tr> </table>		Scale	1:1				Date	Name	Customer-No.	TOLERANCE					Drawn	18.12.2008	JACK	X.X	±0.25				Approved	13.08.2015	Joanna	X.XX	±0.10							X.XXX	±0.05							<table border="1"> <tr> <td>DIM</td> <td>TOL</td> <td></td> <td></td> <td></td> <td></td> <td></td> <td>ASSMANN WSW-No.</td> </tr> <tr> <td>ANGLE</td> <td>±1°</td> <td>②</td> <td>Update</td> <td>13.08.2015</td> <td>Joanna</td> <td rowspan="2">  </td> <td rowspan="2"> <p><b>A-DF 09 LL-WP</b></p> </td> </tr> <tr> <td>X.X°</td> <td>±X°</td> <td>①</td> <td>Drawn</td> <td>18.12.2008</td> <td>JACK</td> </tr> <tr> <td>Angle</td> <td>TOL</td> <td>Id.</td> <td>Modification</td> <td>Date</td> <td>Name</td> <td>Replace</td> <td>Sheet</td> </tr> </table>		DIM	TOL						ASSMANN WSW-No.	ANGLE	±1°	②	Update	13.08.2015	Joanna		<p><b>A-DF 09 LL-WP</b></p>	X.X°	±X°	①	Drawn	18.12.2008	JACK	Angle	TOL	Id.	Modification	Date	Name	Replace	Sheet	G
Scale					1:1				Date	Name	Customer-No.																																																																		
TOLERANCE					Drawn	18.12.2008	JACK																																																																						
X.X	±0.25				Approved	13.08.2015	Joanna																																																																						
X.XX	±0.10																																																																												
X.XXX	±0.05																																																																												
DIM	TOL						ASSMANN WSW-No.																																																																						
ANGLE	±1°	②	Update	13.08.2015	Joanna		<p><b>A-DF 09 LL-WP</b></p>																																																																						
X.X°	±X°	①	Drawn	18.12.2008	JACK																																																																								
Angle	TOL	Id.	Modification	Date	Name	Replace	Sheet																																																																						
H									H																																																																				
	1	2	3	4	5	6	7																																																																						