

THIS DRAWING IS UNPUBLISHED.

RELEASED FOR PUBLICATION

2000

© COPYRIGHT 2000

ALL RIGHTS RESERVED.

LOC  
A1

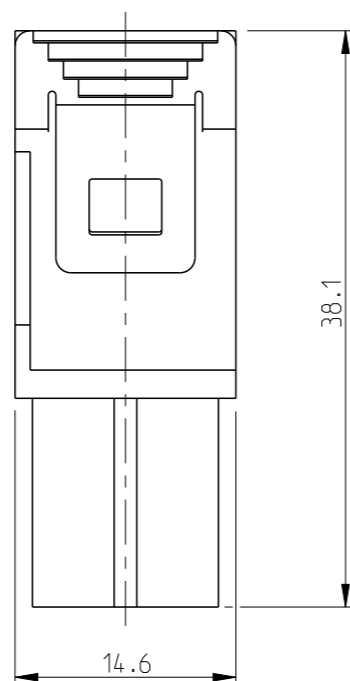
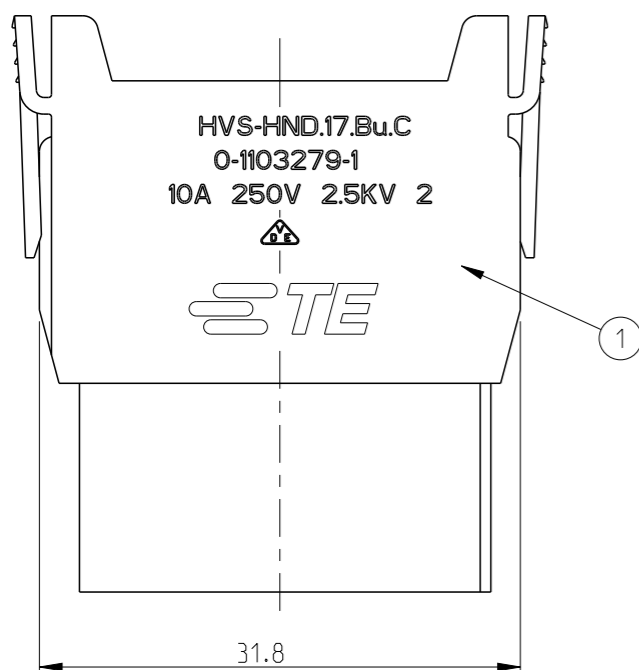
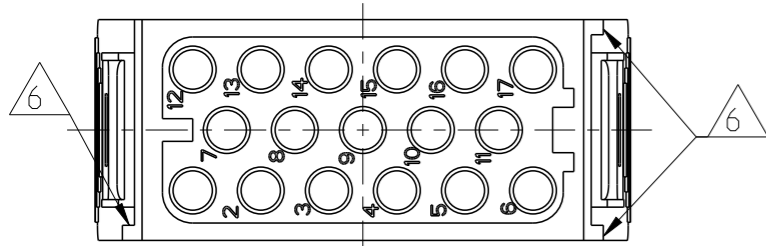
DIST

REVISIONS

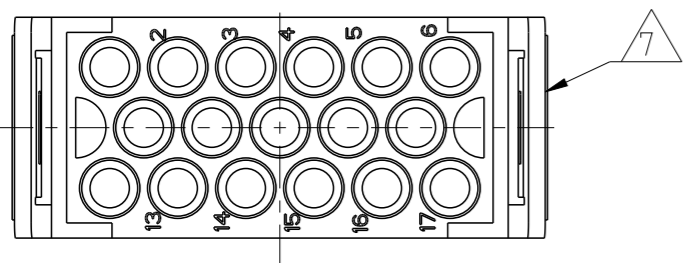
P	LTR	DESCRIPTION	DATE	DWN	APVD
	C	ECR-15-007608	30MAY2015	GSK	JB

PN 0-1 As Shown

Contact arrangement  
view from connecting side



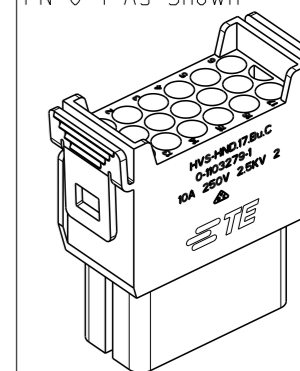
Contact arrangement  
view from termination side



NOTES

- 1 SUITABLE CRIMP CONTACTS: SERIES HN.D  
CUSTOMER DRAWING: 1105050  
OUTER DIMENSIONS OF INSULATION: MAX. Ø4mm
- 2 SUITABLE MODULE FIXING FRAME: SERIES HVS SIZE 3 TO 8  
CUSTOMER DRAWING: 1103250
- 3 SUITABLE INSERTION TOOL:  
CUSTOMER DRAWING: 1102855
- 4 SUITABLE EXTRACTION TOOL:  
CUSTOMER DRAWING: 1102855
- 5 STANDARDS:  
DIN EN 61984; DIN EN 60664-1
- 6 POLARIZATION RIPS
- 7 MARKING OF POLARIZATION ACCORDING TO MARKING OF  
MODULE FRAME
- 8 PACKAGING:  
10 SETS IN A CARTON, PRE-MOUNTED

PN 0-1 As Shown



SCALE 1:1

QTY	DESCRIPTION	MATERIAL	COLOR	ITEM NO
1	FEMALE INSERT	PBT-GF10	LIGHT GREY	21
PN 0-1 / HVS-HN.D.17.Bu.C				

THIS DRAWING IS A CONTROLLED DOCUMENT.

DIMENSIONS: mm	TOLERANCES UNLESS OTHERWISE SPECIFIED: ISO 8075 DIN 150 2768 mh-E DIN 16901-120
	0 PLC ± 1 PLC ± 2 PLC ± 3 PLC ± 4 PLC ± ANGLES ±
MATERIAL	FINISH
9	10

DWN	20.02.2006
CHK	20.02.2006
APVD	20.02.2006
PRODUCT SPEC	108-74083
APPLICATION SPEC	114-74085
WEIGHT	
CUSTOMER DRAWING	

TE Connectivity		NAME		RESTRICTED TO
		FEMALE INSERT HVS-HND.17.BU.C		
SIZE	CAGE CODE	DRAWING NO		
A3	00779	©-1103279		
SCALE 2:1		SHEET 1 OF 1	REV C	