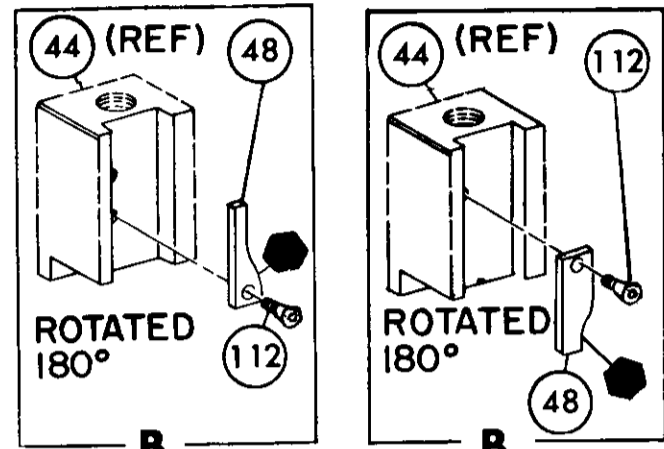
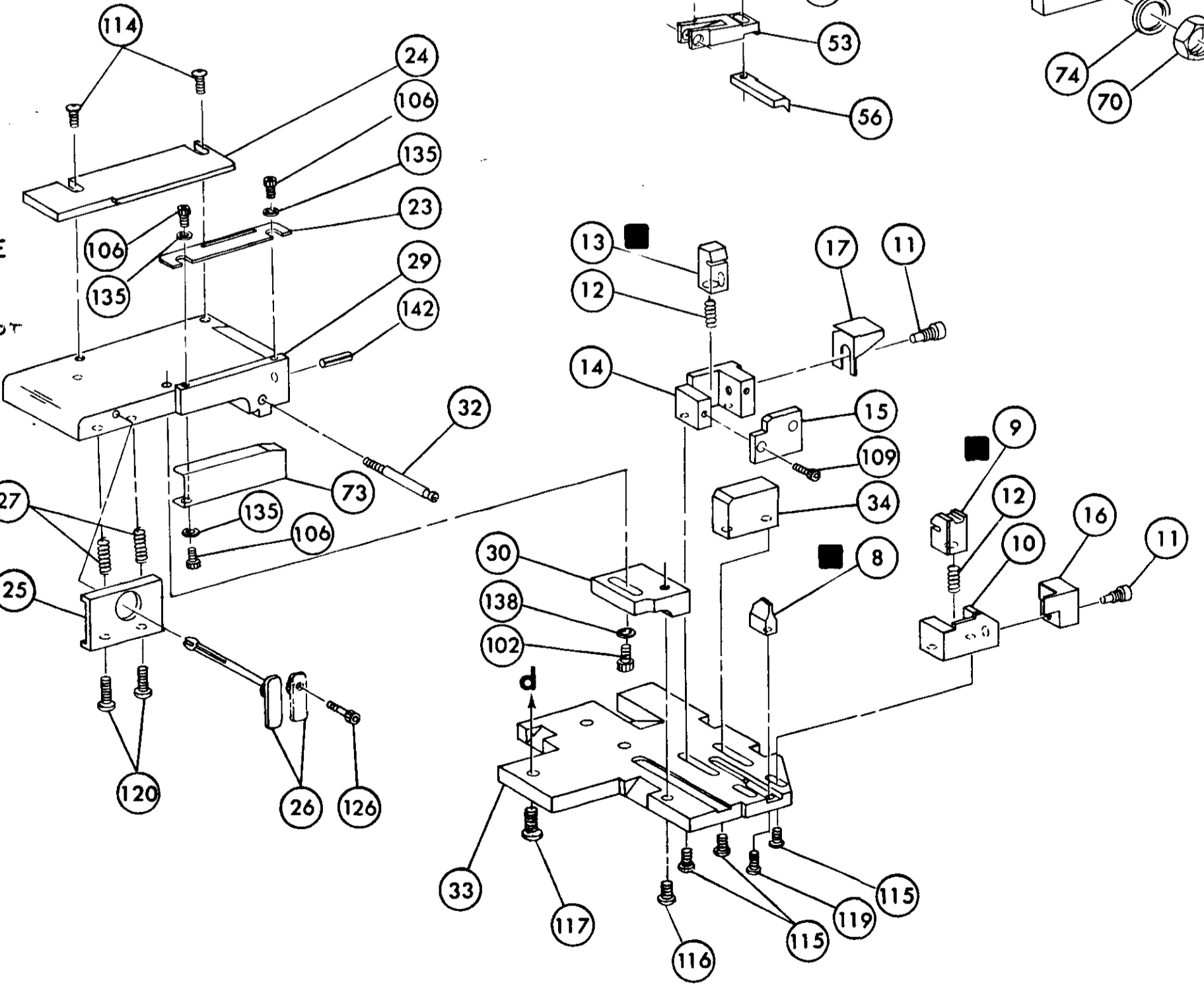


PRE-FEED 1/8" STROKE
POST-FEED 5/8" STROKE



THIS DRAWING IS A COPY TO CHANGE AND THE CONTROLLING ENGINEERING ORGANIZATION SHOULD BE CONTACTED FOR THE LATEST REVISION.

- NOTES:
- 1.- ONLY THE ITEMS WITH QUANTITIES SPECIFIED ON PARTS LIST ARE USED ON THIS APPLICATOR.
 - △- USED IN PLACE OF ITEM 38 WHEN INSULATION CRIMP IS NOT USED.
 - ▲- GUARD MUST BE IN PLACE WHEN OPERATING APPLICATOR IN AMP-O-ELECTRIC PRESS.
 - 4. ITEMS WITH QTY OF REF (EXCEPT ITEM 79) ARE USED ON ITEM 46.



- KEY:
- RECOMMENDED SPARE PARTS
 - ▲- LUBRICATE DAILY USING NO. 20 MACHINE OIL.

REF	21045-3	RING, RETAINING 'C' (.187 DIA) FEED FINGER PIN	145	REF	454220-1	CAP, HOUSING	59
REF	5-21028-1	PIN, SLOT SPR (.125 DIA X .50) ADJ ROD	144	REF	454485-1	HOUSING	58
1	4-21028-0	PIN, SLOT SPR (.093 DIA X .75) STR G PLATE	143	1	690542-3	PAWL, FEED	57
REF	1-21030-1	PIN, DOWEL (.187 DIA X .50) LEVER	142	1	240624-1	PIN, FEED FINGER	56
REF	1-21030-6	PIN, DOWEL (.187 DIA X 1.25) HOUSING	141	REF	691499-1	SPRING, FEED FINGER	55
1	21024-5	WASHER, LOCK (NO 10) LUB ASSY	140	REF	690541-1	FINGER, FEED	54
1	21024-5	WASHER, LOCK (NO 10) STRIP GUIDE ADJ BLOCK	139	REF	455679-1	LEVER, TERMINAL FEED ARM	53
REF	21024-5	WASHER, LOCK (NO 10) ADJ PLATE	138	1	811242-2	BUMPER, HOLDDOWN	52
REF	21024-5	WASHER, LOCK (NO 10) FEED GUIDE ROD	137	1	690753-1	SPACER, TONKER	51
3	21057-2	WASHER, LOCK (NO 4) FRONT STRIP GUIDE	136	1	7-21002-9	BOLT, CRIMPER	50
1	21024-4	WASHER, LOCK (NO 8) FEED FINGER	135	1	690602-5	CAM PRE FEED 1/8" STROKE	49
2	21024-4	WASHER, LOCK (NO 8) DEPRESSOR	134				47
1	21024-4	WASHER, LOCK (NO 8) STRIPPER	133	1	459456-1	APPLICATOR, BASIC (SUB ASSY)	46
REF	21899-4	WASHER, FLAT (5/16 DIA) SCREW ADJ	132	1	690191-1	PLUG, NYLON	45
1	21899-2	WASHER, FLAT (NO 10) LUB ASSY	131	1	455673-1	RAM	44
1	21068-5	NUT, HEX MACH (6-32) HOLDDOWN	130	1	690125-1	WASHER, LAMINATED	43
REF	21068-5	NUT, HEX MACH (6-32) FEED ADJ	129	1	690124-4	WASHER, RAM	42
			128				41
			127				40
	22353-8	SCR, SHLD. (187 DIA X .250 LG) DRAG LEVER	126	2	23241-6	BALL, STEEL	39
1	456567-1	SCR SHLD (187 X .250 LG) DRAG LEVER	125	2	690170-1	SPRING, COMPRESSION	38
1	21009-2	SCR, SKT SET (1/4-20 X .25) (LOC-WEL) RAM	124	1	690142-5	DISC, INSULATION	37
REF	6-23715-4	SCR, PANHD MACH (6-32 X 1.25) FEED ADJ	123	1	690692-7	DISC, WIRE	36
			122	1	22480-5	WASHER, SPRING	35
2	3-21002-0	SCR, BUT HD SKT CAP (10-32 X .88) DRAG	121	1	690212-1	POST, RAM	34
1	22733-8	SCR, BUT HD SKT CAP (8-32 X .38) (LOC-WEL) ANVIL	120				33
REF	2-21002-9	SCR, BUT HD SKT CAP (10-32 X .75) CAP	119	REF	455675-1	SUPPORT, TERMINAL	32
REF	2-22733-8	SCR, BUT HD SKT CAP (1/4-20 X .62) HOUSING	118	1	690432-3	SCREW, ADJUSTMENT	31
REF	2-21002-7	SCR, BUT HD SKT CAP (10-32 X .62) SG ADJ BLOCK	117	REF	455689-1	BLOCK, STRIP GUIDE ADJ	30
2	2-21002-2	SCR, BUT HD SKT CAP (8-32 X .50) SHEAR	116	1	455671-1	PLATE, STRIP GUIDE	29
2	2-21002-1	SCR, BUT HD SKT CAP (8-32 X .50) R STRIP GUIDE	115	1	1-455888-0	SPACER, FRONT SHEAR DEPRESSOR	28
			114	1	1-22284-0	SPRING, DRAG	27
1	1-21002-7	SCR, BUT HD SKT CAP (6-32 X .38) CAM	113	1	690546-1	LEVER, DRAG RELEASE	26
1	3-21000-4	SCR, SKT HD CAP (10-32 X .38) LUBRICATOR ASSY	112	1	240772-1	DRAG, STOCK	25
2	23030-1	SCR, SKT HD CAP (6-32 X .25) (LOC-WEL) CP DISC	111	1	690440-9	GUIDE STRIP (REAR)	24
			110	1	690433-1	GUIDE, STRIP (FRONT)	23
2	2-21000-7	SCR, SKT HD CAP (8-32 X .50) DEPRESSOR	109				22
1	2-22603-0	SCR, HEX HD MACH (8-32 X .31) FEED FINGER	108	REF	4-22284-9	SPRING, FEED RETURN	21
3	1-21000-3	SCR, SKT HD CAP (4-40 X .25) F STRIP GUIDE	107	1	455930-1	ARM, STRIPPER	20
1	2-21000-7	SCR, SKT HD CAP (8-32 X .50) STRIPPER	106	1	455949-1	STRIPPER	19
REF	3-21000-7	SCR, SKT HD CAP (10-32 X .75) FEED ROD GUIDE	105				18
REF	3-21000-6	SCR, SKT HD CAP (10-32 X .62) FEED ADJ BLOCK	104				17
1	3-21000-4	SCR, SKT HD CAP (10-32 X .38) SG ADJ BLOCK	103				16
REF	3-21000-4	SCR, SKT HD CAP (10-32 X .38) PIVOT BLOCK	102	1	691667-1	GUARD, CHIP (FRONT)	15
REF	455749-1	GUARD WINDOW	101				14
1	1-465184-0	LUBRICATOR ASSY	79				13
REF	852931-2	OIL, LUBRICATING	78				12
			77		5-22280-0	SPRING, SHEAR	11
			76	1	690461-1	STOP, SHEAR	10
REF	458109-1	WASHER, SPECIAL	75	1	690459-1	HOLDER, SHEAR (FRONT)	9
1	454877-3	PLATE, STRIP GUIDE COVER	74	1	454276-1	SHEAR, FLOAT (FRONT)	8
2	690603-1	SPRING, ASSIST	73	1	4-690471-8	ANVIL	7
REF	690517-1	SPACER	72				6
	22594-8	NUT, HEX	71				5
	240628-1	PLATE, ADJUSTMENT	70	1	455889-9	DEPRESSOR, SHEAR (FRONT)	4
	240626-1	SHAFT, PIVOT	69	1	1-238011-3	SPACER, TUBULAR, INS CRIMPER	3
	240633-1	BUSHING	68	1	4-456135-5	CRIMPER, INSULATION	2
	455680-1	LEVER, INTERMEDIATE	67	1	455888-3	SPACER, CRIMPER	1
	240629-1	BLOCK, PIVOT	66	1	1-456402-7	CRIMPER, WIRE	
	240632-2	SCREW, ADJUSTMENT FEED ROD	65				
	240659-3	PIN, CAM ROLLER	64				
	240658-1	ROLLER, CAM	63				
	454398-2	ROD, FEED	62				
REF	454178-1	GUIDE, FEED ROD	61				
QTY	PART NO	DESCRIPTION	ITEM NO	QTY	PART NO	DESCRIPTION	ITEM NO

CRIMPING DATA					APPLICATOR WILL APPLY	
PAD LTR	C.H WIRE	GROUP I	C.H WIRE	GROUP I	GROUP I	GROUP I
A	023 22	NOT USED			60388	60354
B	029 24	NOT USED				
C	027 26	027 26				
D	NOT USED	025 28				

REMARKS

NO

REV

TO APPLY TERMINAL

APPL USED ON MACHINE PART NO

MACH SERIAL NO

DISTRIBUTION

CUSTOMER NAME

APPL SERIAL NO

ORIGINAL

ADDRESS

PURCHASE ORDER

CUSTOMER COPY

CITY

ENG APP

FIELD ENG COPY

WIRE RANGE: # 26-28

INSULATION RANGE: # 25-29

PRESS NO: 563425-5

REMARKS: AMP-O-ELECTRIC PRE FEED

I. D. PLATE (REF): 461264-1

SET UP GAGE: 10-1

DRIC: 18-74 APP: 24

CHK: 11-11

LOC: A

NO: 466342-2

AMP INCORPORATED Harrisburg, Pa.