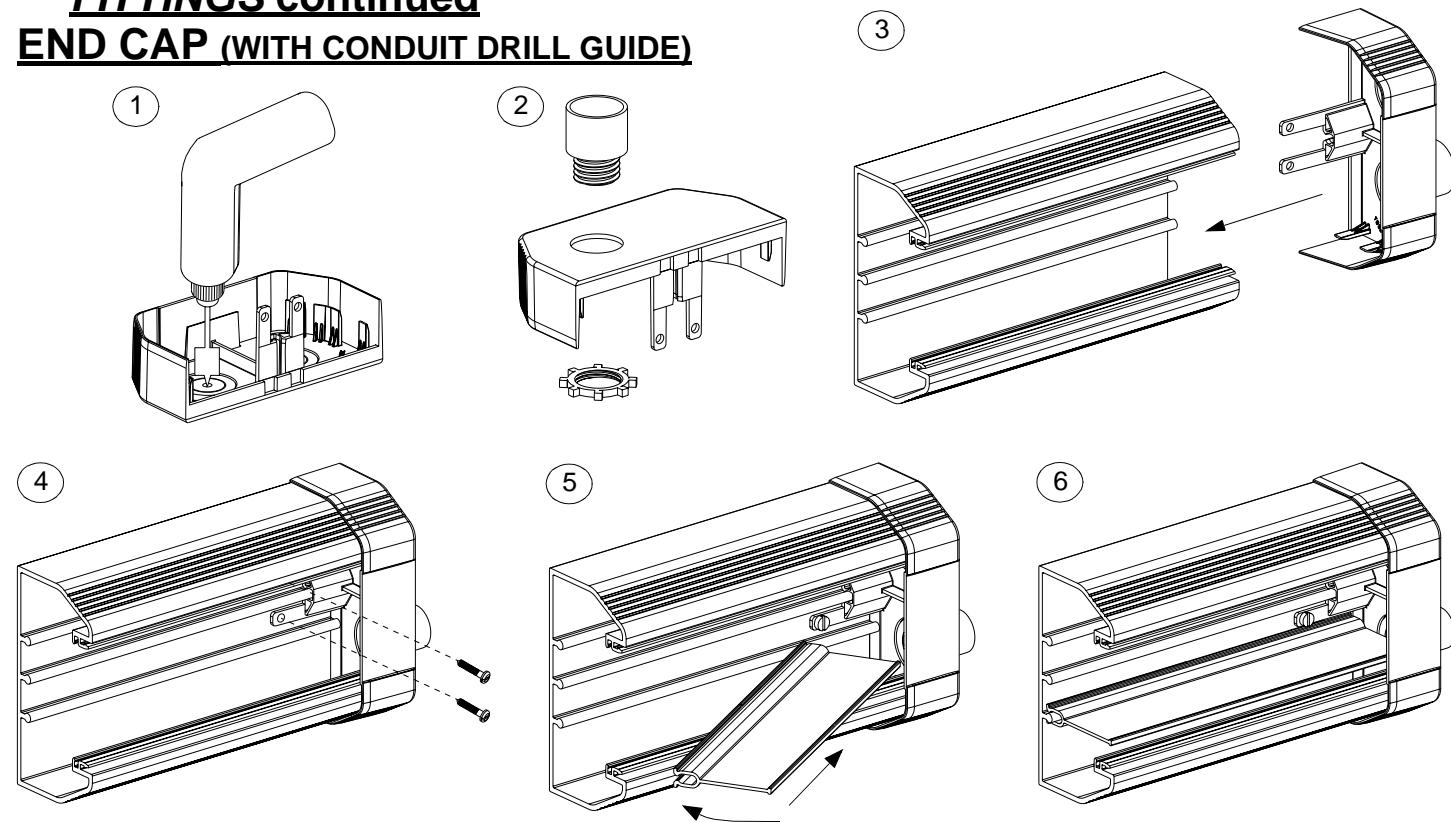


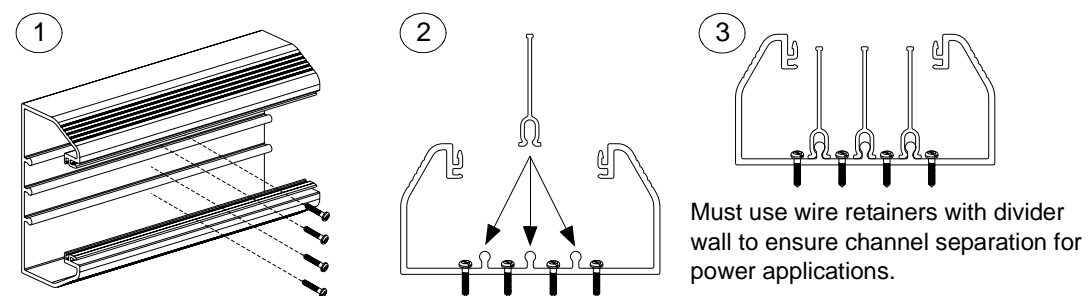
TG RACEWAY SYSTEM INSTALLATION INSTRUCTIONS

FITTINGS continued

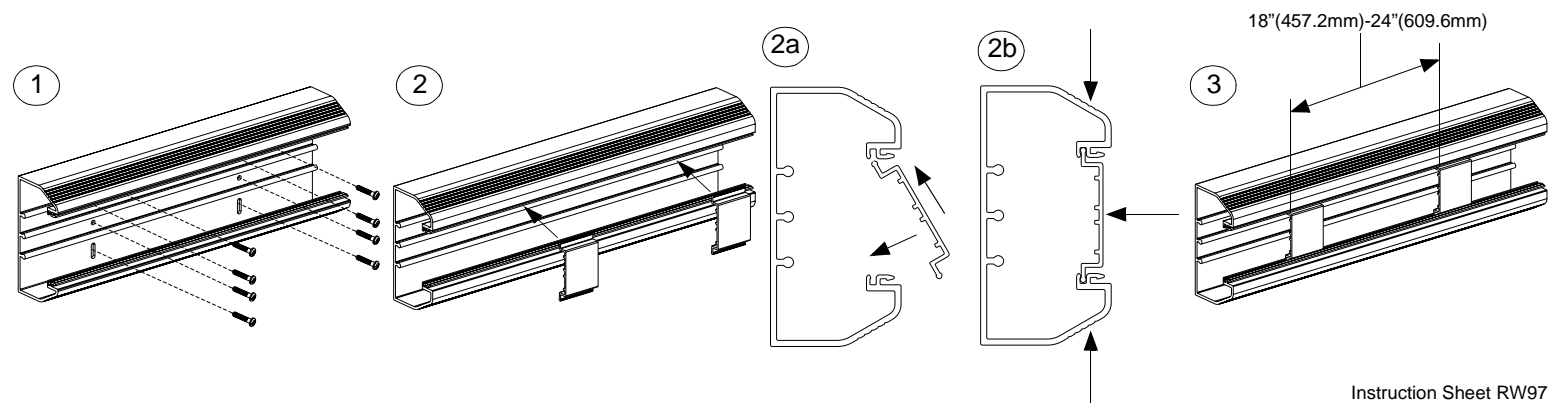
END CAP (WITH CONDUIT DRILL GUIDE)



ACCESSORIES DIVIDER WALL



WIRE RETAINER



Instruction Sheet RW97

WORLDWIDE SUBSIDIARIES AND SALES OFFICES

17301 Ridgeland Avenue
Tinley Park, IL 60477-3091
Web Site: www.panduit.com



Technical Support: 866-405-6656
Fax: 866-449-1702
Email: netconnsupport@panduit.com



TG RACEWAY SYSTEM

Part Numbers: TG70B, T70C, TG70BC, T70CC, TG70WR
TG80B, TEC80, TG80BC, TECFC80, TG80WR
TG86B, TG86C, TG86BC, TCFC105, TG86WR
TGRA, TREC, TGDW

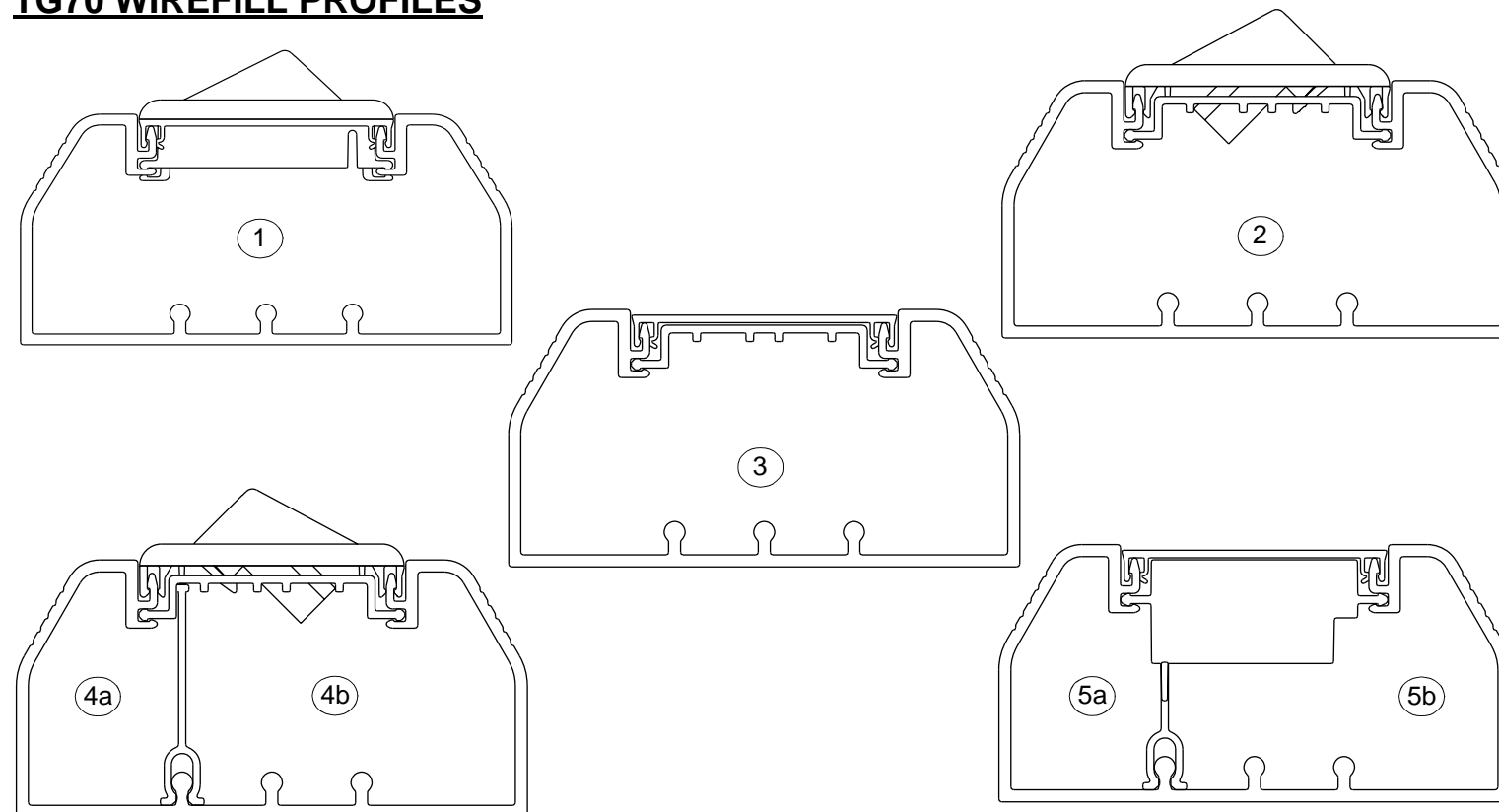
FOR USE WITH PANDUIT SURFACE RACEWAY ROUTING SYSTEM

INSTALLATION INSTRUCTIONS

©Panduit Corp. 2000

TG70 WIREFILL PROFILES

Printed in U.S.A.



TG70 WIREFILL CHART

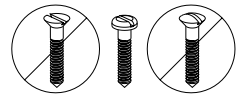
Raceway Channel Wirefill Configurations	See Fill #	*Electrical Cables AWG		
		14	12	10
		THHN/T90		
		0.105	0.122	0.153
		MAX	MAX	MAX
Wirefill #1: Data only using "Screw-On" Faceplates	1	**	**	**
Wirefill #2: Data only using "Snap-On" Bezels	2	**	**	**
Wirefill #3: TG-70 Raceway with no Devices	3	40	40	38
Wirefill #4: Power and Data using "Snap-On" Bezels and 3-Sided Power Box	4A	28	28	26
	4B	**	**	**
Wirefill #5: Power and Data using "Snap-On" Bezels and 3-Sided Power Box	5A	28	28	26
	5B	**	**	**

* WIRES NOT BUNDLED

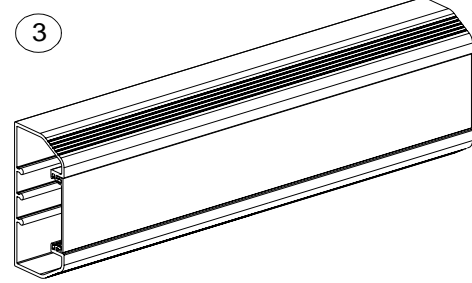
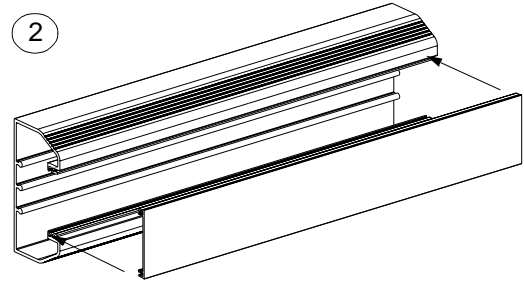
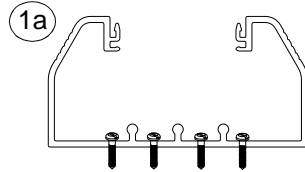
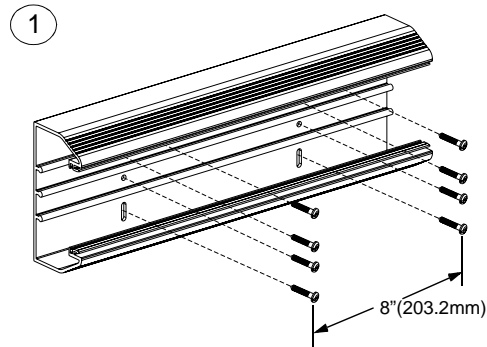
For Technical Assistance call: 866-405-6656

TG RACEWAY SYSTEM INSTALLATION INSTRUCTIONS

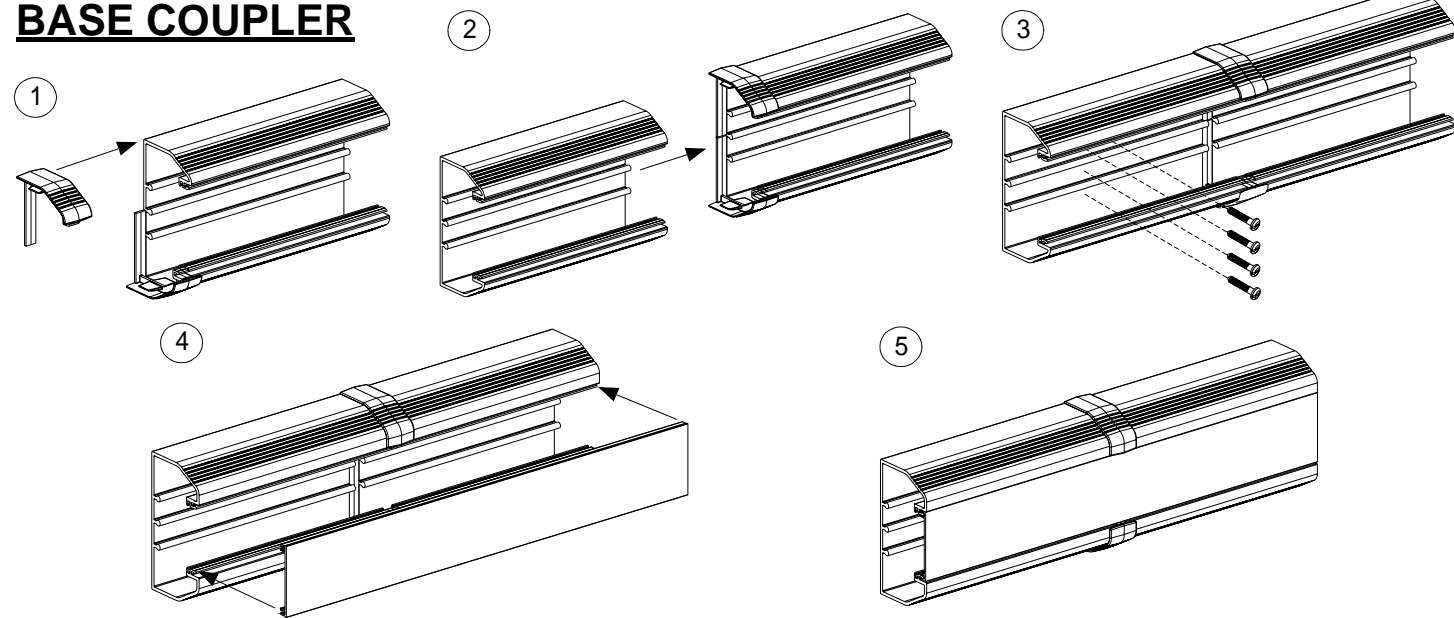
BASE & COVER



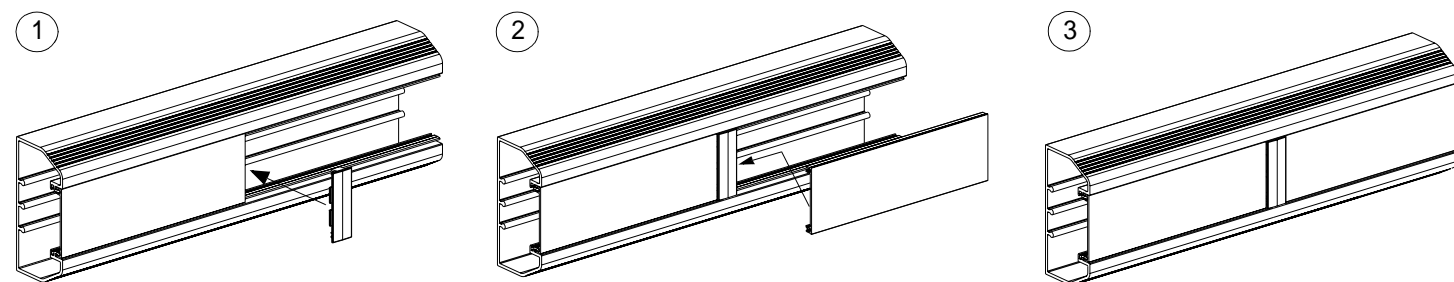
The mounting hardware used to secure the raceway shall be appropriate for the mounting



FITTINGS BASE COUPLER

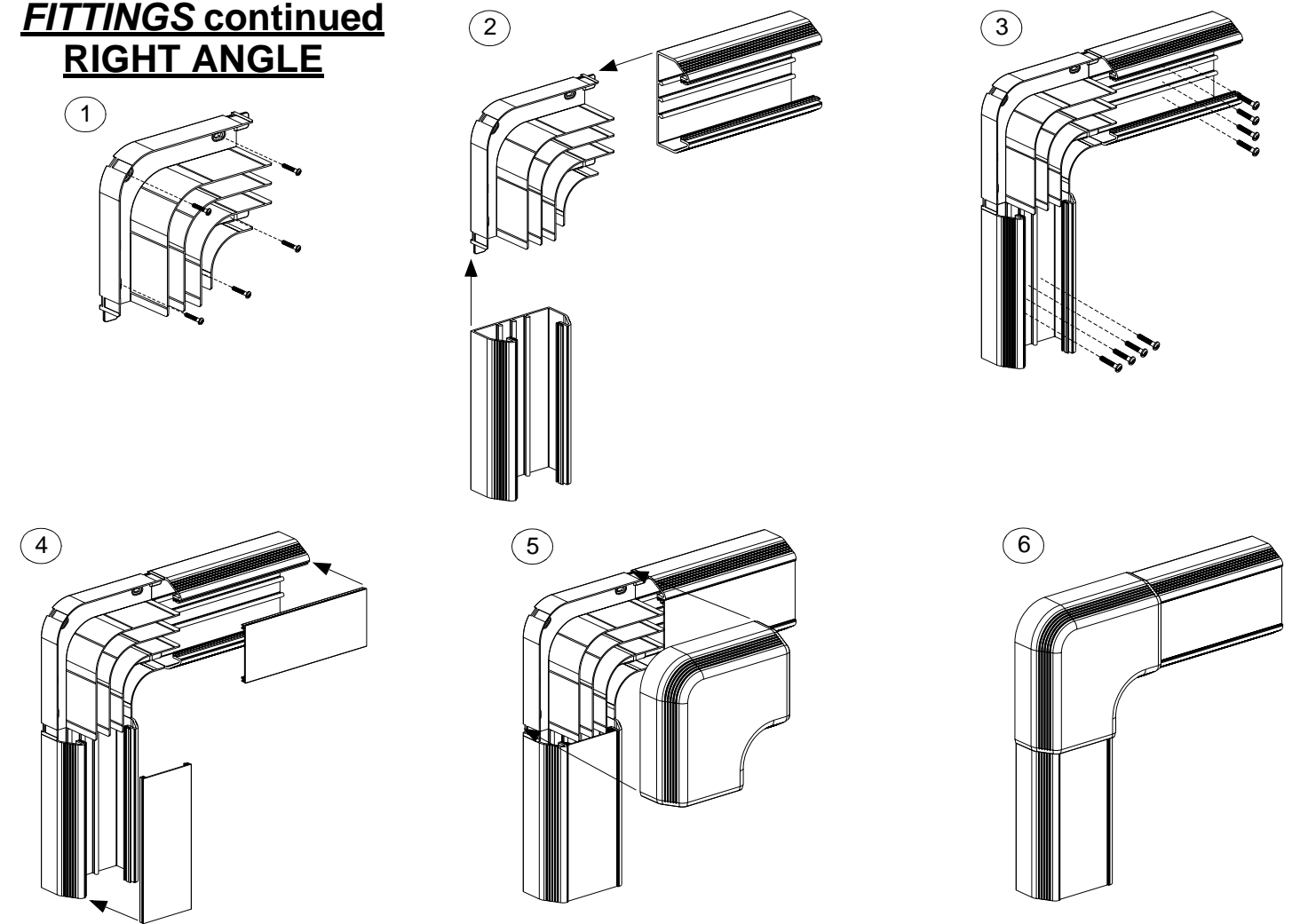


COVER COUPLER



TG RACEWAY SYSTEM INSTALLATION INSTRUCTIONS

FITTINGS continued RIGHT ANGLE



END CAP

