

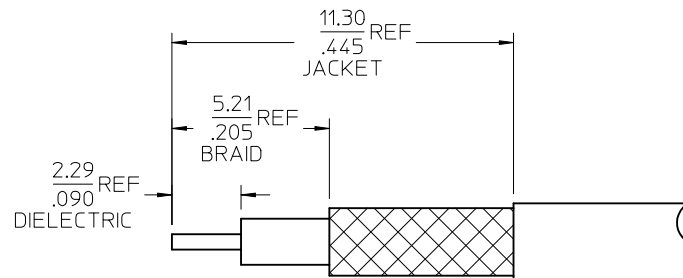
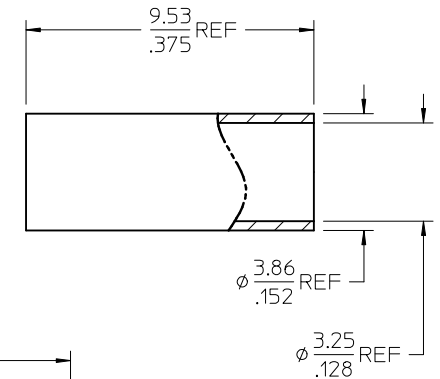
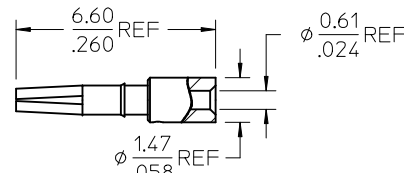
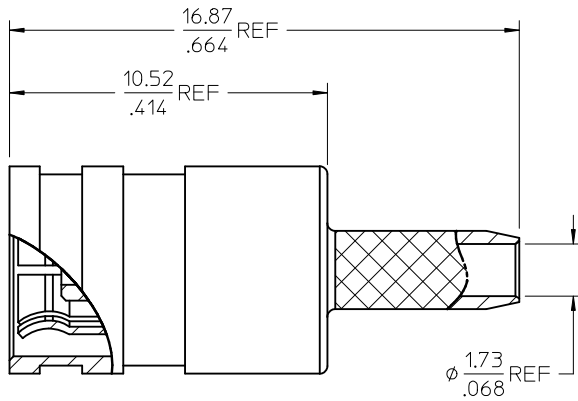
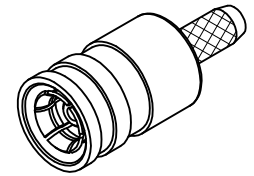
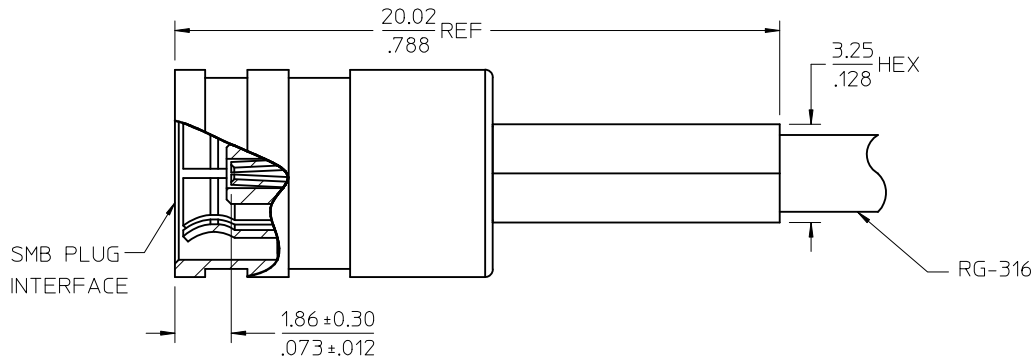
MATERIALS AND FINISHES:

BODY, CRIMP TUBE: BRASS
PLATED NICKEL

CENTER CONTACT: PHOSPHOR BRONZE
PLATED GOLD

INSULATOR: TEFLON

OUTER CONTACT: BERYLLIUM COPPER
PLATED NICKEL



PART # 73404-0710

MIL-STD-348A, FIG. 311-2	INTERFACE
SPECIFICATION	DESCRIPTION

RECOMMENDED STRIPPING DIMENSIONS

CHG: BODY WAS ZINC	EC NO: URF2011-0692	QUALITY SYMBOLS	GENERAL TOLERANCES (UNLESS SPECIFIED)	DIMENSION STYLE	SCALE	DESIGN UNITS	THIRD ANGLE PROJECTION
	DRWN: WIENER 2011/06/13	DESCRIPTION		MM/IN	METRIC	☉	
CHKD: SSS 2011/06/13	APPR: WIENER 2011/06/13	▽=0	4 PLACES ± --- ± ---	DRAWN BY	DATE	TITLE	SMB PLUG STR RG-316 50 OHMS, EWR-1503 SMB-PC
REV	▽=0	3 PLACES ± --- ± ---	CHECKED BY	DATE			
		2 PLACES ± --- ± ---	1 PLACE ± --- ± ---	APPROVED BY	DATE	MOLEX INCORPORATED	SD-73404-071
		ANGULAR ± 2 °		GMH	2001/11/10		
		DRAFT WHERE APPLICABLE MUST REMAIN WITHIN DIMENSIONS		MATERIAL NO.	DOCUMENT NO.	SHEET NO.	
				734040710		1 OF 1	
				THIS DRAWING CONTAINS INFORMATION THAT IS PROPRIETARY TO MOLEX INCORPORATED AND SHOULD NOT BE USED WITHOUT WRITTEN PERMISSION			