

NOTES:

1.0 SPECIFICATIONS.

1.1 FREQUENCY RANGE: DC to 40.0 GHz

1.2 ATTENUATION ACCURACY:

	DC to 26.5 GHz	26.5 to 40.0 GHz
3 & 6dB:	±0.5dB	±0.8dB
10 & 20dB:	±0.6dB	±1.0dB

1.3 MAXIMUM VSWR:

DC to 18.0 GHz	1.30:1
18.0 to 40.0 GHz	1.40:1

1.4 MAXIMUM INPUT POWER:

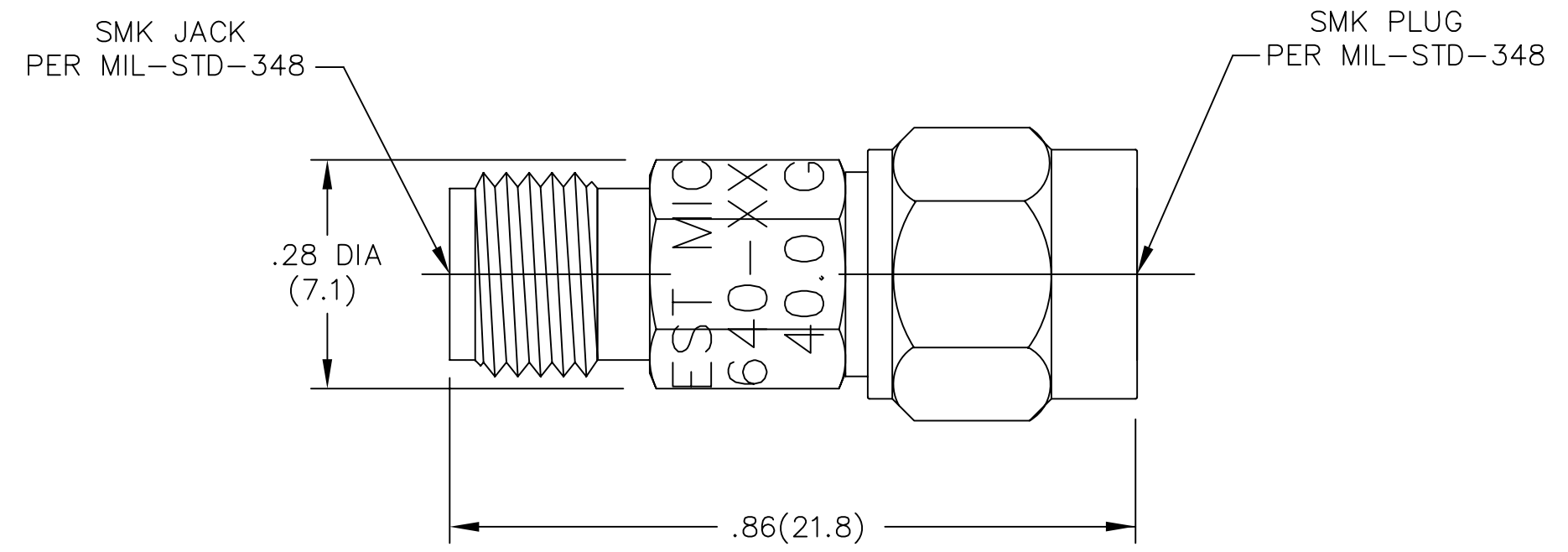
1 WATTS AVG. AT +25°C DERATED
LINEARLY TO 0.5 WATTS AT +125°C.

1.5 OPERATING TEMP. RANGE: -65°C to +125°C

2.0 MARKING.

2.1 MARK UNIT AS SHOWN.
(REF.: INK-08116-27-XX)

3.0 DIMENSIONS IN PARENTHESIS ARE MILLIMETERS.



DATE	8/31/04
DESCRIPTION	RELEASED
REV.	-

UNLESS OTHERWISE NOTED DIMENSIONS ARE IN INCHES AND TOLERANCES ARE: 3 PLACE DECIMALS ±.005 2 PLACE DECIMALS ±.02 FRACTIONS ±1/64 PARALLELITY: T.I.R. _____ FLATNESS: T.I.R. _____ CONCENTRICITY: T.I.R. _____ ANGLES AND PERPENDICULARITY: ±1'	FSCM NO. 34078	MIDWEST MICROWAVE	
	NOTICE: The information contained in this drawing is proprietary and must not be used without the permission of Midwest Microwave		TITLE ATTENUATOR
DRAWN/DATE S.ORLOV 8/27/04	ENG./DATE G.KOZAK 8/31/04	DRAWING NUMBER ATT-0640-XX-HEX-02	
CHECKED/DATE	APPROVED/DATE	SCALE: 5=1	SHEET 1 of 1