

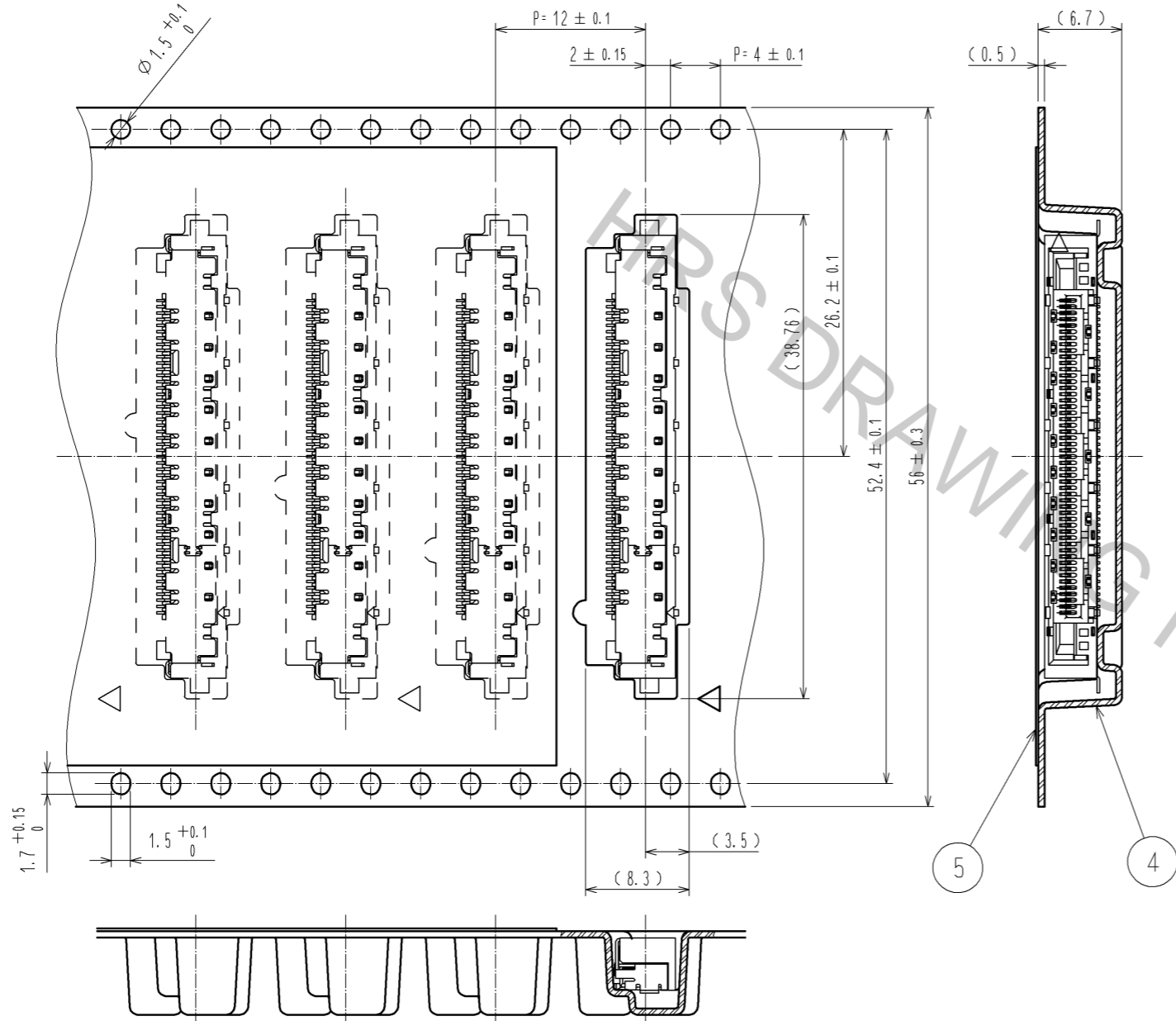
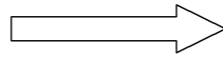
- NOTE 1 LEAD CO-PLANARITY OF THIS PRODUCT TO BE 0.1MAX.
 2 AREA OF INNER SMT LAND REQUIRES PATTERN PROHIBITION OR RESIST TREATMENT TO PREVENT THE PATTERN TOUCHING TO THE CONTACTS.
 3 () INDICATES A REFERENCE DIMENSION.
 4 MANUFACTURING PROCESS COULD LEAVE SCRATCH AND/OR PUNCH MARKS HAVING NO AFFECT ON THE PRODUCT PERFORMANCE.
 5 PACKAGING FOR THIS PRODUCT APPLIES EMBOSSED CARRIER TAPE PACKAGING.

RECOMMENDED LAND PATTERN DIMENSION
(METAL MASK THICKNESS: $t=0.12$)

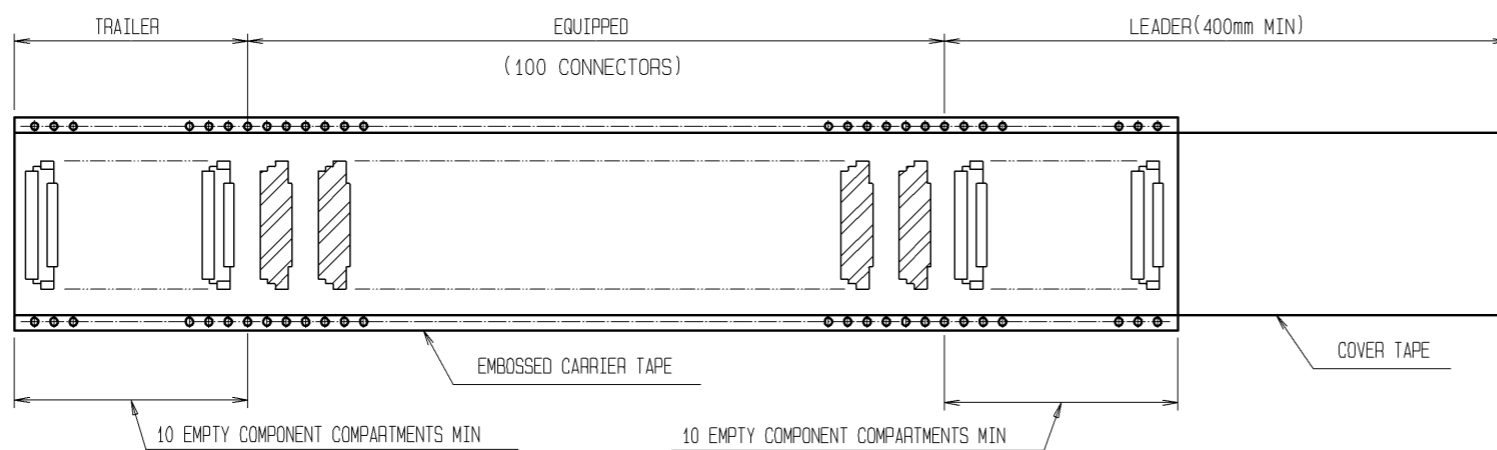
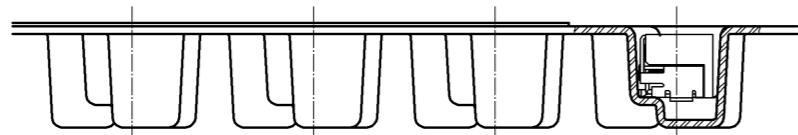
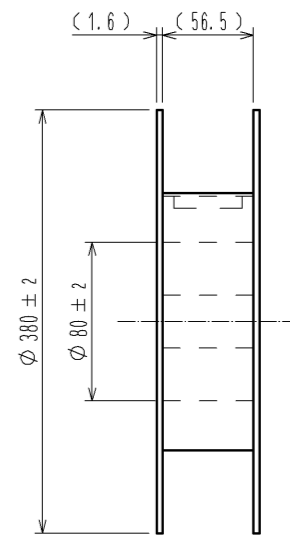
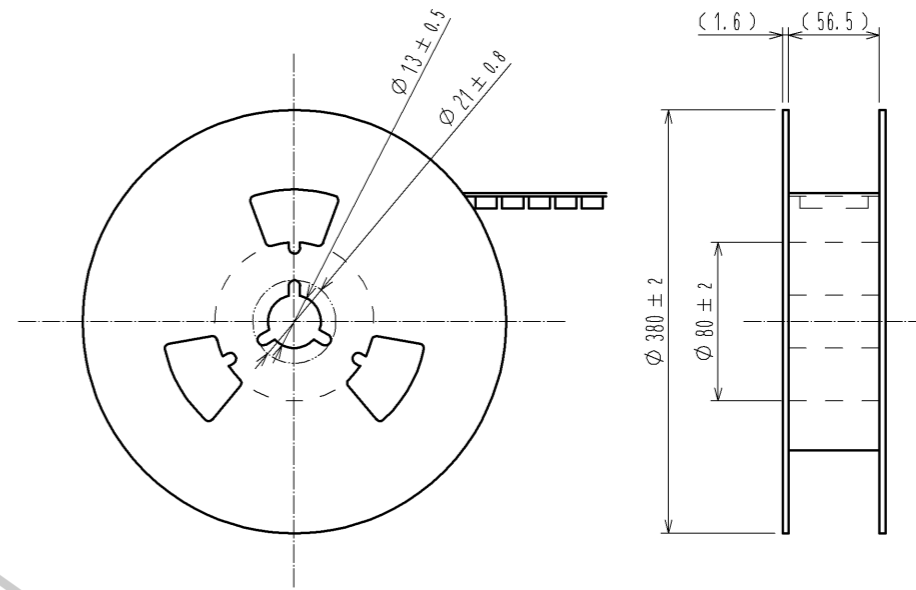
5	PE	(COVER TAPE)						
4	PS	(EMBOSSED CARRIER TAPE)						
3	PHOSPHOR BRONZE	CONTACT AREA: GOLD $0.1 \mu\text{m min}$						
		LEAD AREA: GOLD $0.03 \mu\text{m min}$						
2	BRASS	OVER PLATING: TIN PLATING $1 \mu\text{m min}$						
1	PA	UNDER PLATING: NICKEL $2 \mu\text{m min}$						
		BLACK. UL94V-0						
NO.	MATERIAL	FINISH . REMARKS						
NO.	MATERIAL	FINISH . REMARKS						
UNITS		SCALE	COUNT	DESCRIPTION OF REVISIONS	DESIGNED	CHECKED	DATE	
mm		5 : 1		1	DIS-F-006350	CR. TAKESHIMA	HT. YAMAGUCHI	12.08.24
HRS HIROSE ELECTRIC CO., LTD.		APPROVED : HS. OKAWA	11.11.02	DRAWING NO. EDC3-330633-01				
		CHECKED : HT. YAMAGUCHI	11.11.02	PART NO. FX16M2-51S-0.5SH(30)				
		DESIGNED : YJ. ASAO	11.11.02	CODE NO. CL575-3004-1-30				
		DRAWN : CR. TAKESHIMA	11.11.02					

DRAWING FOR PACKING (2:1)

THE DIRECTION OF PULLING OUT



REELED DIMENSION (FREE)



HRS	DRAWING NO.	EDC3-330633-01	
	PART NO.	FX16M2-51S-0.5SH(30)	
	CODE NO.	CL575-3004-1-30	2/2

Apr.1.2017 Copyright 2017 HIROSE ELECTRIC CO., LTD. All Rights Reserved.