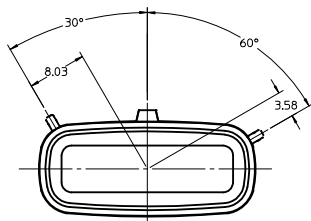
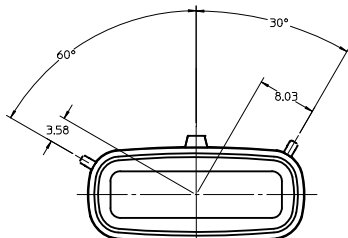


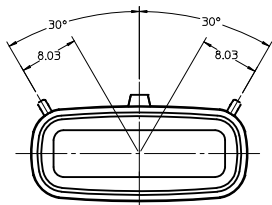
KEYING OPTION 'A'
SUGGESTED COLOR: BLACK



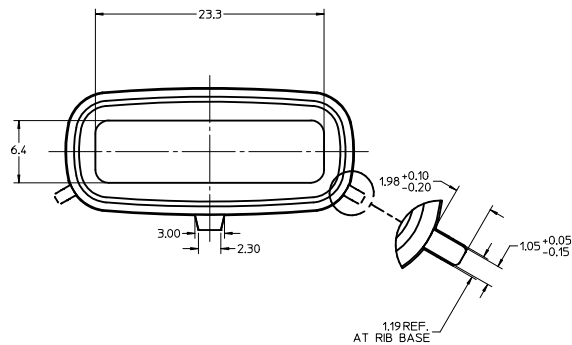
KEYING OPTION 'B'
SUGGESTED COLOR: GREY



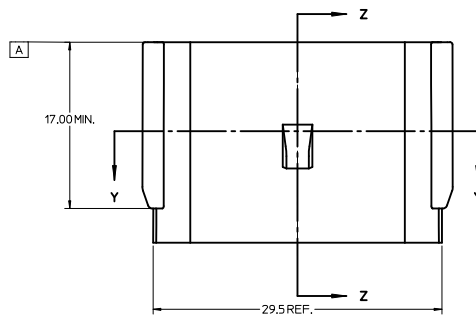
KEYING OPTION 'C'
SUGGESTED COLOR: BROWN



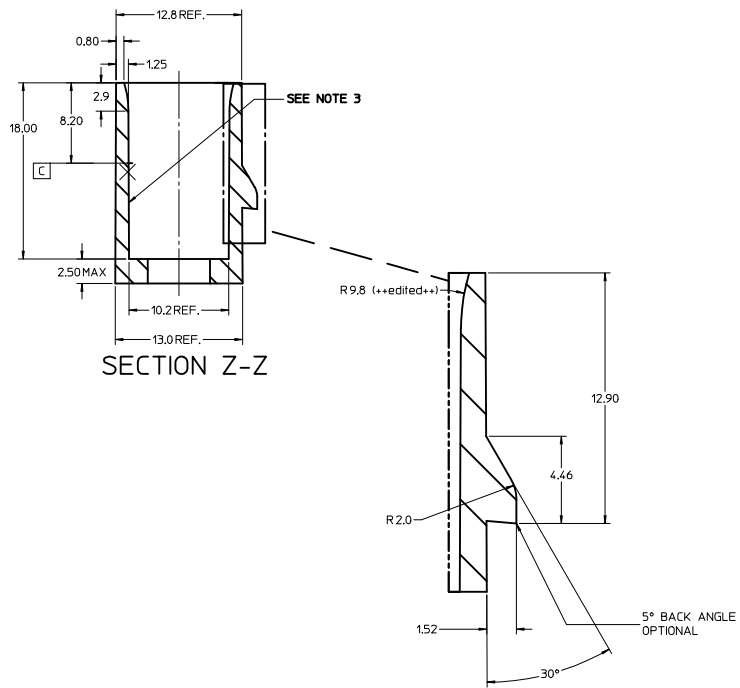
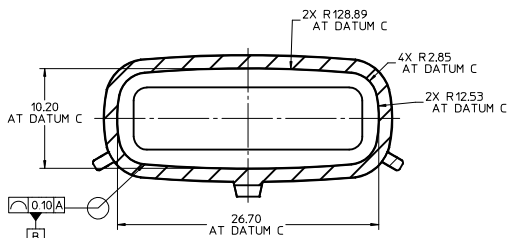
KEYING OPTION 'D'
SUGGESTED COLOR: GREEN



1.19 REF.
AT RIB BASE



SECTION Y-Y

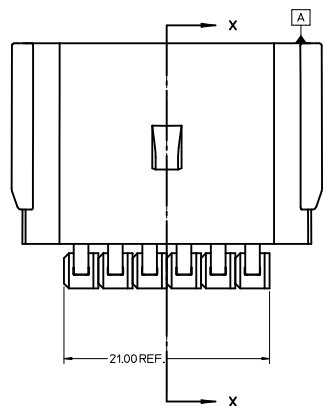
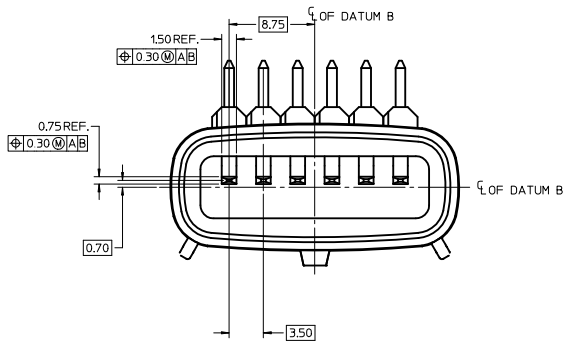


SECTION Z-Z

NOTES:

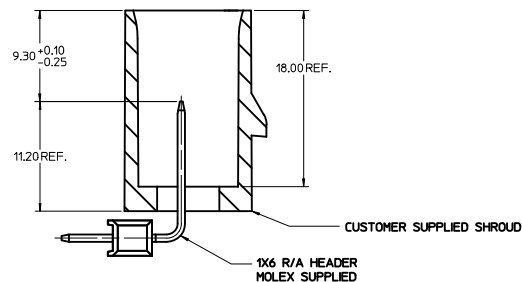
1. REFER TO MOLEX SALES DRAWING SD-75900-002 FOR THE HEADER ASSEMBLY PRODUCT DETAILS AND RECOMMENDED PCB LAYOUT.
2. KEYING OPTIONS A-D AND SUGGESTED COLORS COMPLY TO THE POLARIZATION STANDARDS ESTABLISHED FOR MATING WITH A MX150 FEMALE CONNECTOR.
3. INTERIOR SHROUD SURFACE MUST BE FREE OF DEFECTS AND PARTING LINES ALL AROUND TO ENSURE PROPER SEALING OF THE MATING MX150 FEMALE CONNECTOR.
4. A FULL SHROUD ON THE MATING CONNECTOR IS REQUIRED TO INSURE THE HEADER SHROUD POLARIZATION FEATURES (OPTIONS A-D) WILL FUNCTION PROPERLY. THE FULL SHROUD ALSO PREVENTS SCOOP DAMAGE TO THE HEADER CONTACTS.
5. PERMISSIBLE DRAFT ANGLE 0.25° MAXIMUM.
6. RADI ON ALL CORNERS SHOWN SHARP OR ALL UNSPECIFIED RADII 0.25 EXCEPT AS NOTED.
7. DIMENSIONS SHOWN ABOUT A CENTERLINE ARE SYMMETRICAL ABOUT THAT CENTERLINE WITHIN HALF THE SPECIFIED TOLERANCE.

<p>NEW RELEASE EC NO. UCP2011-3372 DRAWN BY DROSCA 2010/10/12 CHKD: JCOMERCI 2011/06/17 APPR: JCOMERCI 2011/06/17</p>	QUALITY SYMBOLS	GENERAL TOLERANCES (UNLESS SPECIFIED)		DIMENSION STYLE		SCALE	DESIGN UNITS	THIRD ANGLE PROJECTION	
	<p>▽=0 ▽=0</p>	mm	INCH	MM ONLY		4:1	METRIC		
		4 PLACES ±---	±---	DRAWN BY	DATE	TITLE	APPLICATION SPEC		
		3 PLACES ±---	±---	DROSCA	2010/10/12	1X6 MX150 R/A HEADER SHROUD DETAILS	MOLEX INCORPORATED		
	2 PLACES ±0.13	±---	CHECKED BY	DATE		DOCUMENT NO.			
	1 PLACE ±0.25	±---	JCOMERCI	2011/06/17		AS-75900-106			
	ANGULAR ±1/2°		APPROVED BY		DATE	SHEET NO.			
	DRAFT WHERE APPLICABLE MUST REMAIN WITHIN DIMENSIONS		JCOMERCI		2011/06/17	1 OF 2			
	WATERL. NO.		75900-1060		THIS DRAWING CONTAINS INFORMATION THAT IS PROPRIETARY TO MOLEX INCORPORATED AND SHOULD NOT BE USED WITHOUT WRITTEN PERMISSION				
	SIZE		D						

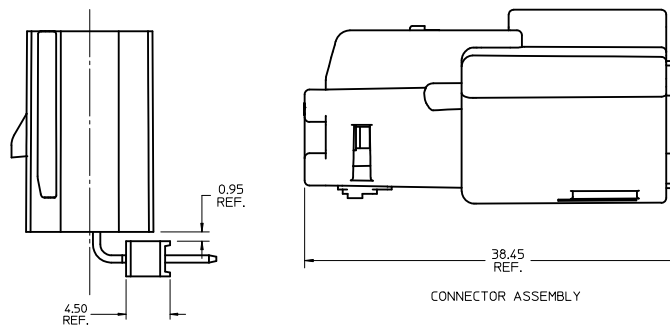


HEADER APPLICATION DETAILS

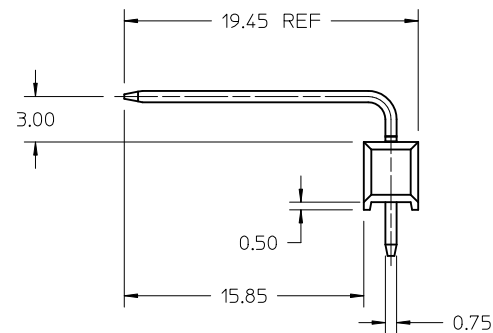
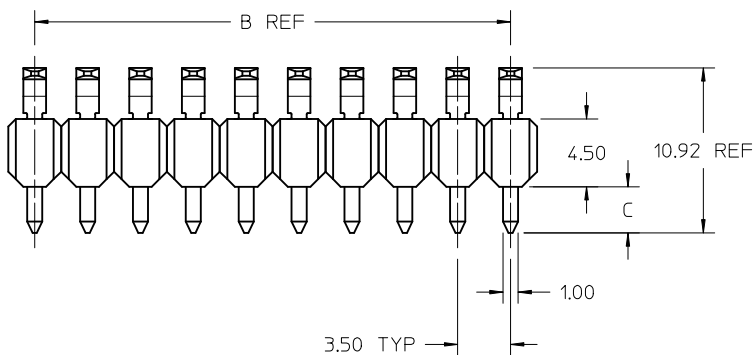
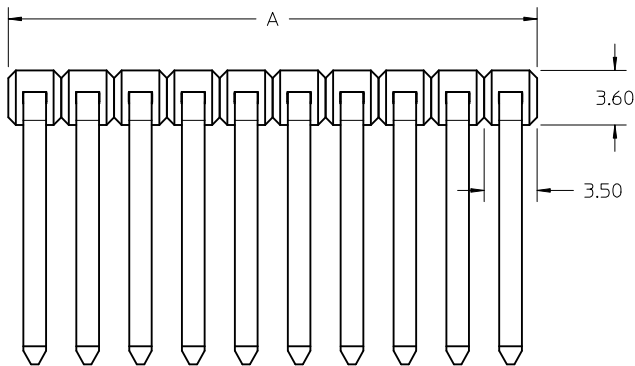
NOTES:
1. ADHERENCE TO THE HEADER APPLICATION DETAILS IS IMPERATIVE TO ENSURE PROPER SHROUD SEALING AND CONTACT ALIGNMENT WHEN MATED WITH A MX150 FEMALE CONNECTOR.



SECTION X-X

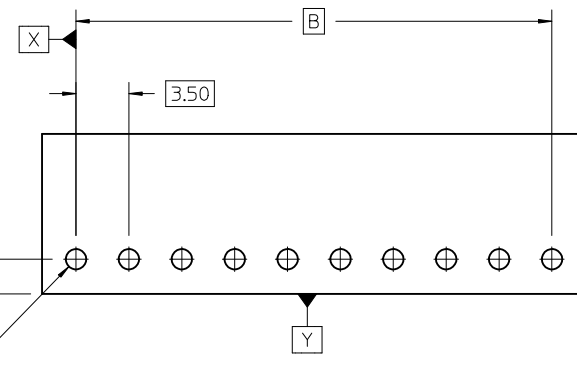


SEE SHT 1 IEC NO: UCP2011-3372 DRAWN: DROSCA 2010/10/12 CHECKED: JCOMERCI 2011/06/17 APPR: JCOMERCI 2011/06/17	QUALITY SYMBOLS	GENERAL TOLERANCES (UNLESS SPECIFIED)	DIMENSION STYLE	SCALE	DESIGN UNITS	THIRD ANGLE PROJECTION
	▽=0 ▽=0	4 PLACES ± 0.13 3 PLACES ± 0.13 2 PLACES ± 0.13 1 PLACE ± 0.25 ANGULAR ± 1/2°	MM ONLY	4:1	METRIC	APPLICATION SPEC 1X6 MX150 R/A HEADER SHROUD DETAILS
	DRAFT WHERE APPLICABLE MUST REMAIN WITHIN DIMENSIONS	DRAWN BY: DROSCA CHECKED BY: JCOMERCI APPROVED BY: JCOMERCI	DATE: 2010/10/12 DATE: 2011/06/17 DATE: 2011/06/17			MOLEX INCORPORATED DOCUMENT NO. AS-75900-106
		WATERAL NO. SEE SHEET 1 SIZE D				SHEET NO. 2 OF 2 THIS DRAWING CONTAINS INFORMATION THAT IS PROPRIETARY TO MOLEX INCORPORATED AND SHOULD NOT BE USED WITHOUT WRITTEN PERMISSION



NOTES:

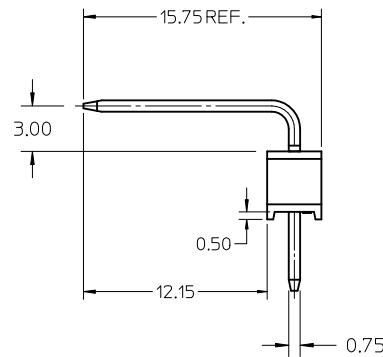
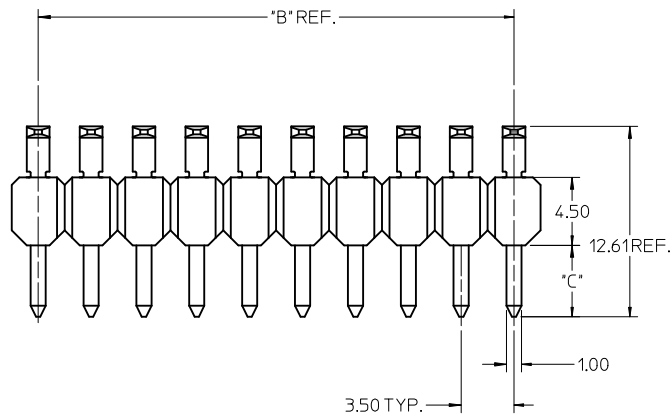
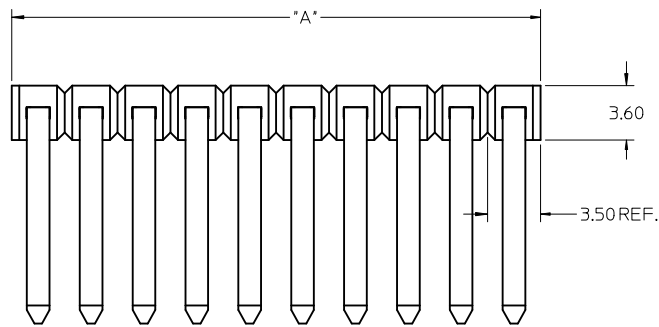
1. TERMINAL MAT'L: ALLOY C26000, CARTRIDGE BRASS
2. WAFER MAT'L: 30% GLASS FILLED LCP, 94V-0, COLOR BLACK.
3. TERMINAL PLATING:
 - OPTION 4 - 1.5µm MIN MATTE TIN OVERALL OVER 1.25µm NICKEL OVERALL
 - OPTION 1 - 2.5µm MIN MATTE TIN OVERALL OVER 1.25µm NICKEL OVERALL
 - OPTION 2 - 1.25µm NICKEL OVERALL 2.5µm MIN SELECT MATTE TIN PC TAIL AREA 0.05-0.25µm SELECT GOLD CONTACT AREA
 - OPTION 3 - 1.25µm NICKEL OVERALL 2.5µm MIN SELECT MATTE TIN PC TAIL AREA 0.75µm SELECT GOLD CONTACT AREA
4. HEADER ASSEMBLIES ARE TUBE PACKAGED PER PK-75900-0001.
5. COMPLIES WITH USCAR 1.5mm TERMINAL BLADE SPECIFICATION.



RECOMMENDED PCB LAYOUT

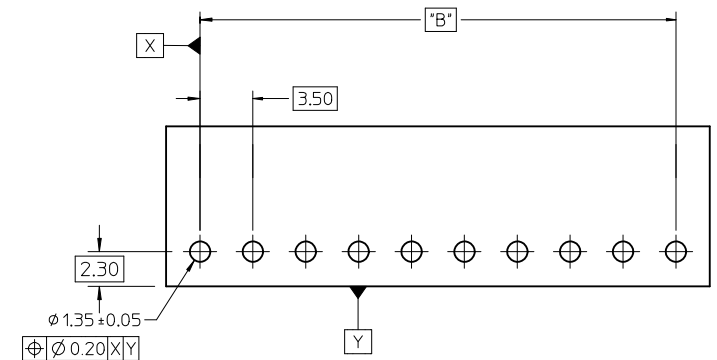
1 x 2	1	75900-3121	7.0	3.50 REF	3.05
	2	75900-3221			
	3	75900-3321			
	4	75900-3421			
1 x 3	1	75900-3131	10.5	7.00	3.05
	2	75900-3231			
	3	75900-3331			
	4	75900-3431			
1 x 4	1	75900-3141	14.0	10.50	3.05
	2	75900-3241			
	3	75900-3341			
	4	75900-3441			
1 x 6	1	75900-3161	21.0	17.50	3.05
	2	75900-3261			
	3	75900-3361			
	4	75900-3461			
1 x 8	1	75900-3181	28.0	24.50	3.05
	2	75900-3281			
	3	75900-3381			
	4	75900-3481			
1 x 10	1	75900-3101	35.0	31.50	3.05
	2	75900-3201			
	3	75900-3301			
	4	75900-3401			
CKT SIZE	PLATING OPTION	MATERIAL NUMBER	*A* DIM	*B* DIM	*C* DIM

INITIAL RELEASE EC NO: UCP2012-0670 DRAWN: DROSCA 2011/08/31 CHKD: JCOMERC I 09/01/11 APPR: JCOMERC I 2011/11/21 REV 2	QUALITY SYMBOLS ▽=0 ▽=0	GENERAL TOLERANCES (UNLESS SPECIFIED)		DIMENSION STYLE MM ONLY		SCALE 4:1	DESIGN UNITS METRIC	THIRD ANGLE PROJECTION	
		DRAFT WHERE APPLICABLE MUST REMAIN WITHIN DIMENSIONS		SEE CHART		MOLEX INCORPORATED SD-75900-0001		SHEET NO. 1 OF 1	
THIS DRAWING CONTAINS INFORMATION THAT IS PROPRIETARY TO MOLEX INCORPORATED AND SHOULD NOT BE USED WITHOUT WRITTEN PERMISSION									



NOTES:

1. TERMINAL MAT'L: ALLOY C26000, CARTRIDGE BRASS
2. WAFER MAT'L: 30% GLASS FILLED LCP, 94V-0, COLOR BLACK.
3. TERMINAL PLATING:
 - OPTION 4 - 1.5µm MIN MATTE TIN OVERALL OVER 1.25µm NICKEL OVERALL
 - OPTION 1 - 2.5µm MIN MATTE TIN OVERALL OVER 1.25µm NICKEL OVERALL
 - OPTION 2 - 1.25µm NICKEL OVERALL 2.5µm MIN SELECT MATTE TIN PC TAIL AREA 0.05-0.25µm SELECT GOLD CONTACT AREA
 - OPTION 3 - 1.25µm NICKEL OVERALL 2.5µm MIN SELECT MATTE TIN PC TAIL AREA 0.75µm SELECT GOLD CONTACT AREA
4. HEADER ASSEMBLIES ARE TUBE PACKAGED PER PK-75900-9900.
5. COMPLIES WITH USCAR 1.5mm TERMINAL BLADE SPECIFICATION.



RECOMMENDED PCB LAYOUT

CKT SIZE	PLATING OPTION	MATERIAL NUMBER	*A* DIM	*B* DIM	*C* DIM	MATERIAL NUMBER	*A* DIM	*B* DIM	*C* DIM
1 x 2	1	75900-0121	7.0	3.50 REF	3.05	75900-0122	7.0	3.50 REF	4.75
	2	75900-0221				75900-0222			
	3	75900-0321				75900-0322			
	4	75900-0421				75900-0422			
1 x 3	1	75900-0131	10.5	7.00	3.05	75900-0132	10.5	7.00	4.75
	2	75900-0231				75900-0232			
	3	75900-0331				75900-0332			
	4	75900-0431				75900-0432			
1 x 4	1	75900-0141	14.0	10.50	3.05	75900-0142	14.0	10.50	4.75
	2	75900-0241				75900-0242			
	3	75900-0341				75900-0342			
	4	75900-0441				75900-0442			
1 x 6	1	75900-0161	21.0	17.50	3.05	75900-0162	21.0	17.50	4.75
	2	75900-0261				75900-0262			
	3	75900-0361				75900-0362			
	4	75900-0461				75900-0462			
1 x 8	1	75900-0181	28.0	24.50	3.05	75900-0182	28.0	24.50	4.75
	2	75900-0281				75900-0282			
	3	75900-0381				75900-0382			
	4	75900-0481				75900-0482			
1 x 10	1	75900-0101	35.0	31.50	3.05	75900-0102	35.0	31.50	4.75
	2	75900-0201				75900-0202			
	3	75900-0301				75900-0302			
	4	75900-0401				75900-0402			

INITIAL RELEASE EC NO: UCP2011-3372 DRAWN BY: DROSCA 2010/10/12 CHECKED BY: JCOMERC I 2011/05/02 APPR: JCOMERC I 2011/06/17	QUALITY SYMBOLS ▽=0 ▽=0	GENERAL TOLERANCES (UNLESS SPECIFIED)		DIMENSION STYLE MM ONLY		SCALE 4:1	DESIGN UNITS METRIC	THIRD ANGLE PROJECTION	
		mm INCH	DRAWN BY DROSCA	DATE 2010/10/12	TITLE MX150 R/A SINGLE ROW BREAK-AWAY HEADER ASSY				
1	REV	DRAFT WHERE APPLICABLE MUST REMAIN WITHIN DIMENSIONS		APPROVED BY JCOMERC I		DATE 2011/05/06	MOLEX INCORPORATED		
		MATERIAL NO. SEE CHART		DATE 2011/06/17		DOCUMENT NO. SD-75900-002	SHEET NO. 1 OF 1		