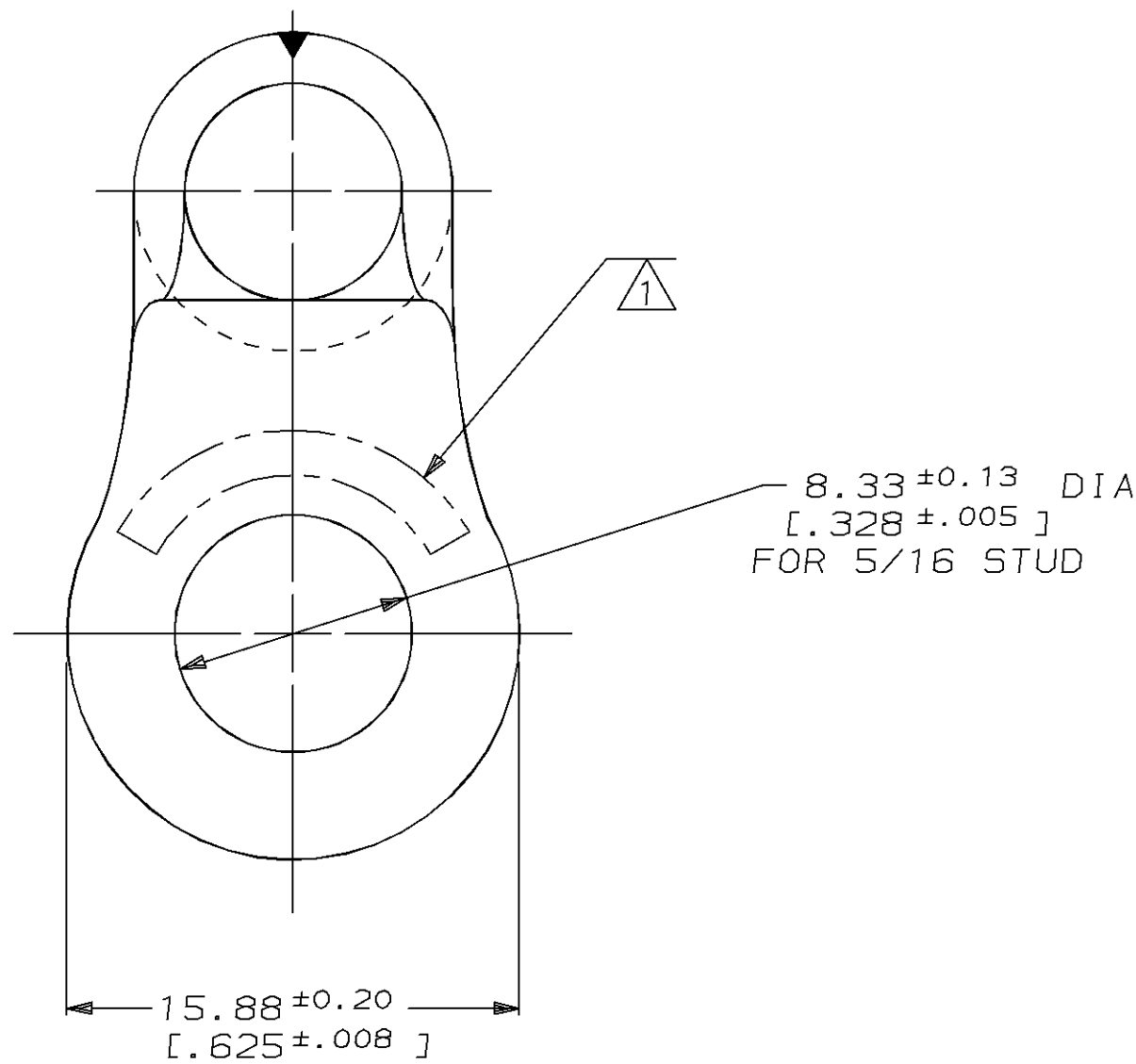
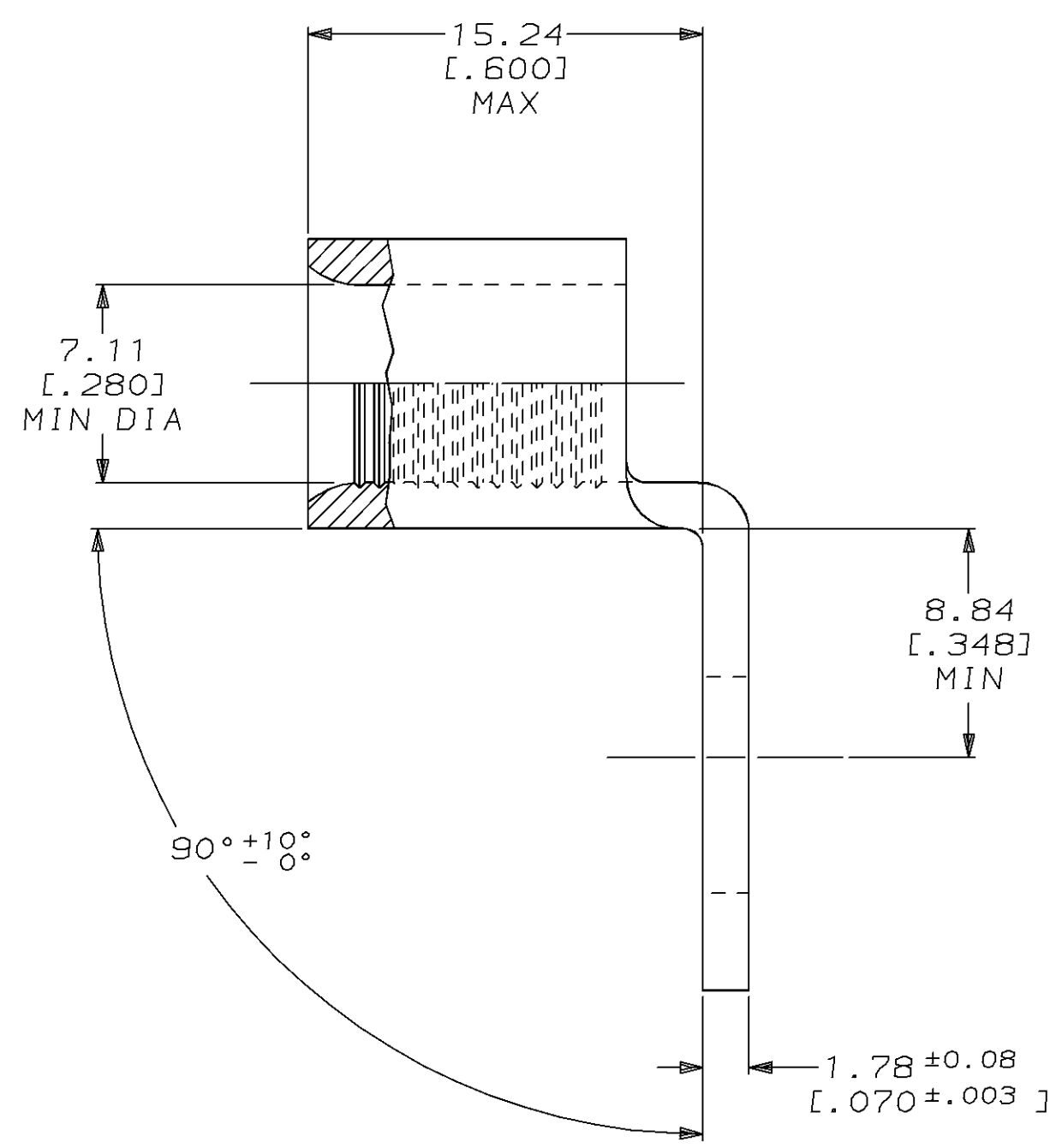
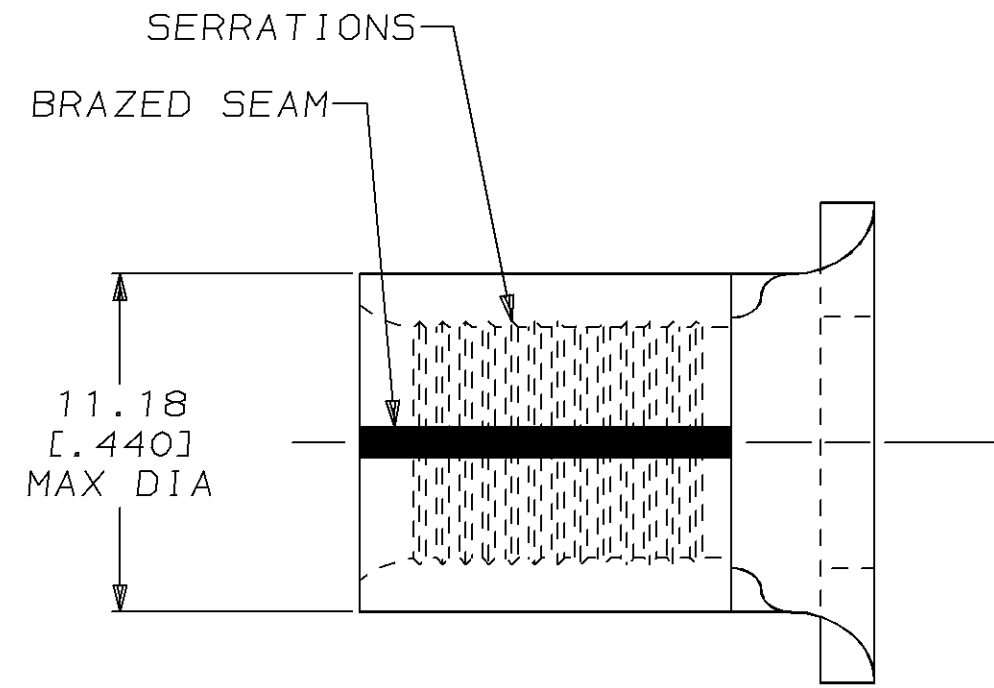


| LOC | DIST | P | F | ZONE | LTR | DESCRIPTION                        | DATE    | APPD   |
|-----|------|---|---|------|-----|------------------------------------|---------|--------|
| G   | 14   |   |   |      | A   | REVISED & REDRAWN PER 0720-0045-94 | 6/13/94 | OK DAP |

**METRIC**  
 DIMENSIONS LISTED IN mm [ INCHES ]

|                               |                            |
|-------------------------------|----------------------------|
| <b>AMP</b><br>WIRE RANGE      | <b>UL</b> E13288<br>Listed |
| 4 AWG<br>SOLID OR STRANDED    | 4 AWG<br>STRANDED          |
| <b>SR</b> LR7189<br>Certified | MILITARY P/N<br>AND CLASS  |
| 4 AWG<br>SOLID OR STRANDED    | NOT<br>APPLICABLE          |

1 STAMP AMP 4W\* APPROX AS SHOWN



|  |  |   |  |                             |   |              |                    |                         |
|--|--|---|--|-----------------------------|---|--------------|--------------------|-------------------------|
| AMP INCORPORATED<br>CUSTOMER SERVICE SYSTEMS                                     |  | MAX RECOMMENDED OPERATING TEMPERATURE:<br>170°C MAX   | DO NOT SCALE PRINT.<br>UNLESS SPECIFIED<br>DIMENSIONS IN mm [INCHES]<br>TOLERANCES ON:<br>2 PLC DEC ± -<br>3 PLC DEC ± -<br>ANGLES ± - | DR 13JUN94<br>DK SCHRUM     | 33115-1<br>PART NO                                      |              |                    |                         |
| FOR ADDITIONAL PRODUCT INFORMATION OR COPIES OF DRAWINGS AND TECHNICAL DOCUMENTS | PRODUCT INFORMATION CENTER<br>1-800-522-6752 | VOLTAGE RATING:<br>NOT APPLICABLE   | MATERIAL<br>COPPER PER ASTM B-152 ANNEALED   | CHK 05AUG94<br>DA PATTERSON | AMP AMP Incorporated<br>Harrisburg, PA 17105-3608       |              |                    |                         |
| FOR APPLICATION TOOLING INFORMATION  | TOOLING ASSISTANCE CENTER<br>1-800-722-1111  | WIRE CROSS SECTIONAL AREA RANGE:<br>16.8-26.7mm² [33,100-52,600] CIR MILS<br>SOLID OR STRANDED  | FINISH<br>TIN PLATE<br>0.00254[.000100] MIN THK PER MIL-T-10727  | APPD 05AUG94<br>CH KULYNYCH | NAME<br>TERMINAL, RING TONGUE,<br>BENT 90°, SOLISTRAND™ |              |                    |                         |
| FOR ORDER ENTRY  | 1-800-526-5142                               | THIS DRAWING IS A CONTROLLED DOCUMENT FOR AMP INCORPORATED. IT IS SUBJECT TO CHANGE AND THE CONTROLLING ENGINEERING ORGANIZATION SHOULD BE CONTACTED FOR THE LATEST REVISION. |  | APPD 05AUG94<br>JL MECKLEY  | PRODUCT SPEC<br>-                                       | SIZE<br>C    | CAGE CODE<br>00779 | DRAWING NO<br>C=33115-1 |
|  |  |   |  | APPLICATION SPEC<br>-       | WEIGHT<br>-   | SCALE<br>4:1 |                    | SHEET<br>1 OF 1         |