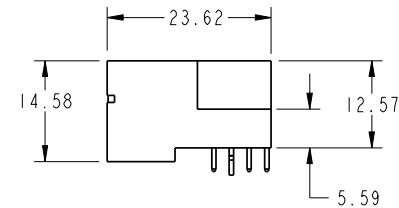
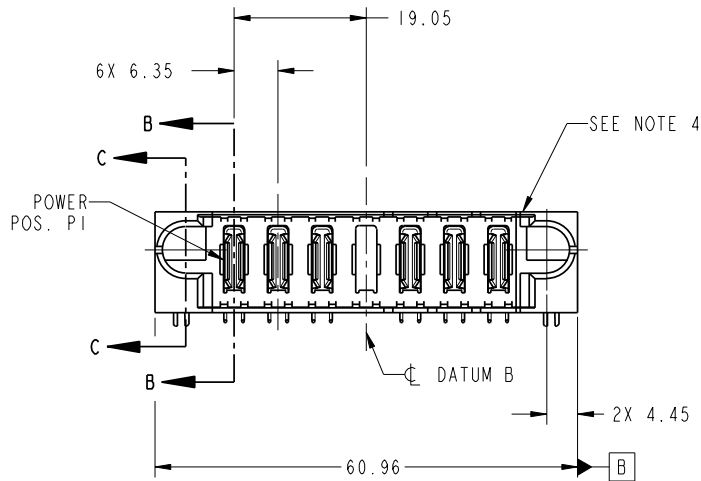


Tous droits strictement réservés. Reproduction ou communication a des tiers interdite sous quelque forme que ce soit sans autorisation écrite du propriétaire. Propriété de c FCI. Droits de reproduction FCI.



All rights strictly reserved. Reproduction or issue to third parties in any form whatever is not permitted without written authority from the proprietor. Property of FCI. Copyright FCI.

| | | | | | | | | | |
|-----------------------|-------|----|----|----|----|----|----|----|----|
| PRODUCT NO. | POWER | | | | | | | | |
| | E1 | P1 | P2 | P3 | P4 | P5 | P6 | P7 | E2 |
| 51733-005-- NOTE 3 | | PA | PA | PA | X | PA | PA | PA | |



| CODE | DIM "M" MATING LENGTH | CONTACT TYPE |
|------|-----------------------|--------------|
| PA | [N/A] | POWER |
| HA | [N/A] | HOLD-DOWN |
| X | OMITTED | |

| | | | | | | | | | | | |
|-------------|----------------|----|----------|----------|------------|---------------------------------------|--|---------------------------------|--|---------------------------|--------|
| mat'l code | | | | SEE NOTE | | tolerances unless otherwise specified | | CUSTOMER | | FCI www.fciconnect.com | |
| lfr | ecn no. | dr | date | linear | 0.X ±0.5 | projection | | title | | | |
| A | DG08-0119 | JC | 05/20/08 | angles | 0.XX ±0.25 | | | 7P RIGHT ANGLE SOLDER HEADER | | | |
| | | | | dr | 0.XXX ±0.1 | MM | | product family | | PwrBlade | code |
| | | | | engr | 0° ±2° | 1:1 | | size | | dwg no | 213 |
| | | | | chr | | | | A | | 51733-005 | sheet |
| | | | | appd | | | | | | | 1 of 4 |
| sheet index | revision sheet | A | A | A | A | | | | | cage code | 22526 |
| | | 1 | 2 | 3 | 4 | | | | | | 4 |

Pro/E

PDM: Rev:A

STATUS: Released

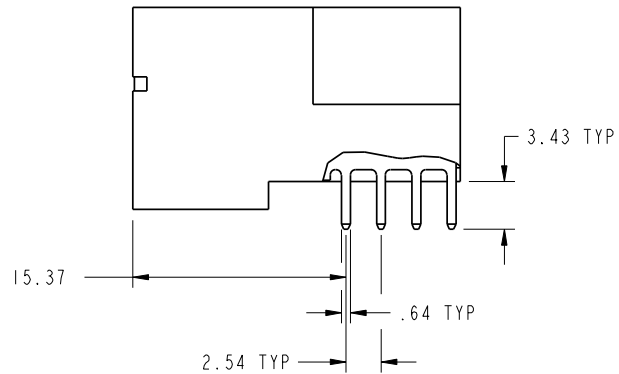
Printed: Dec 20, 2010

Tous droits strictement reserves. Reproduction ou communication a des tiers interdite sous quelque forme que ce soit sans autorisation écrite du propriétaire. Propriete de c FCI. Droits de reproduction FCI.

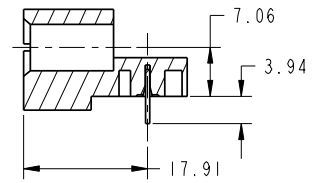


All rights strictly reserved. Reproduction or issue to third parties in any form whatever is not permitted without written authority from the proprietor. Property of FCI. Copyright FCI.

PRODUCT NUMBER
51733-005...
NOTE: 3



BROKEN-OUT SECTION B-B
SCALE 2:1



SECTION C-C

| | | | | | | | | | | | |
|-------------|----------------|----|------|----------|----------------------|---------------------------------------|--|----------------|--|---------------------------------|--|
| mat'l code | | | | SEE NOTE | | tolerances unless otherwise specified | | CUSTOMER | | FCI www.fciconnect.com | |
| lfr | ecn no. | dr | date | linear | 0.X ±0.5 | projection | | COPY | | title | |
| A | | | | | 0.XX ±0.25 | ⊕ | | | | 7P RIGHT ANGLE SOLDER HEADER | |
| | | | | angles | 0.XXX ±0.1 | MM | | product family | | PwrBlade | |
| | | | | dr | 0° ±2° | ← | | size | | code | |
| | | | | engr | Jerome Chen 05/07/08 | scale | | A | | 213 | |
| | | | | chr | Jerome Chen 05/07/08 | 1:1 | | 51733-005 | | sheet | |
| | | | | appd | Gary Hsieh 05/07/08 | | | | | 2 of 4 | |
| | | | | | Joseph Hsia 05/07/08 | | | | | | |
| sheet index | revision sheet | | | | | | | | | | |

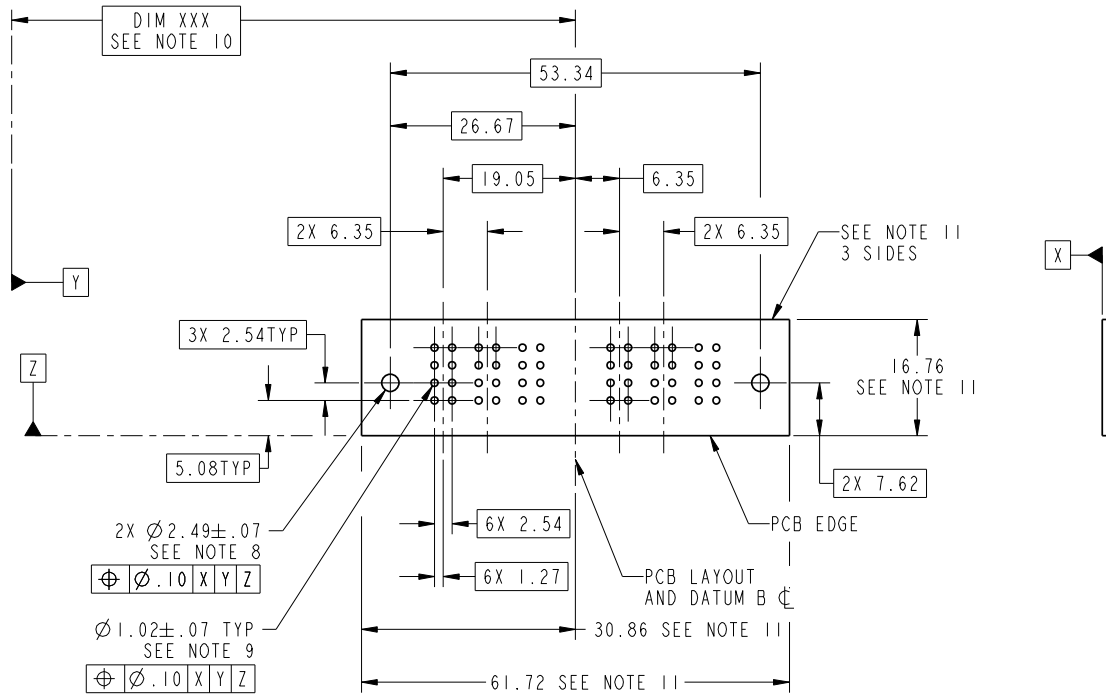
cage code 22526

Tous droits strictement réservés. Reproduction ou communication o des liens interdite sous quelque forme que ce soit sans autorisation écrite du propriétaire. Propriete de c FCI. Droits de reproduction FCI.



All rights strictly reserved. Reproduction or issue to third parties in any form whatever is not permitted without written authority from the proprietor. Property of FCI. Copyright FCI.

PRODUCT NUMBER
51733-005...
NOTE: 3



RECOMMENDED PCB LAYOUT

| | | | | | | | | | | | |
|-------------|----------------|----------|------|---------------------------------------|----------------------|----------|--|----------------|--|--------------------|--|
| mat'l code | | SEE NOTE | | tolerances unless otherwise specified | | CUSTOMER | | FCI | | www.fciconnect.com | |
| lfr | ecn no. | dr | date | linear | 0.X ±0.5 | COPY | | projection | | title | |
| A | | | | angles | 0.XX ±0.25 | MM | | RIGHT ANGLE | | 7P | |
| | | | | dr | 0.XXX ±0.1 | 1:1 | | product family | | PwrBlade | |
| | | | | engr | 0° ±2° | scale | | size | | code | |
| | | | | chr | Jerome Chen 05/07/08 | A | | 51733-005 | | 213 | |
| | | | | appd | Jerome Chen 05/07/08 | | | | | sheet | |
| | | | | | Gary Hsieh 05/07/08 | | | | | 3 of 4 | |
| | | | | | Joseph Hsia 05/07/08 | | | | | | |
| sheet index | revision sheet | | | | | | | | | | |



MM

1:1

cage code 22526

Pro/E

PDM: Rev:A

STATUS: Released

Printed: Dec 20, 2010

Tous droits strictement réservés. Reproduction ou communication o des liens interdite sous quelque forme que ce soit sans autorisation écrite du propriétaire. Propriete de c FCI. Droits de reproduction FCI.



All rights strictly reserved. Reproduction or issue to third parties in any form whatever is not permitted without written authority from the proprietor. Property of FCI. Copyright FCI.

PRODUCT NUMBER
51733-005..
NOTE: 3

NOTES:

1. DIMENSIONS AND TOLERANCES ARE IN ACCORDANCE WITH ASME Y14.5M, 1994 UNLESS OTHERWISE SPECIFIED.

CONNECTOR NOTES:

- 2. HOUSING MATERIAL: UL 94 V-0 GLASS FILLED HIGH-TEMP THERMOPLASTIC
POWER CONTACT MATERIAL: COPPER ALLOY
SIGNAL PIN MATERIAL: COPPER ALLOY
- 3. 51733-005; 51733-005LF PLATING SPEC. SEE PRINT:10064183
- 4. MANUFACTURER'S NAME, P/N, AND DATE CODE TO APPEAR ON THIS SURFACE.
- 5. PRODUCT SPECIFICATION GS-12-149.
APPLICATION SPECIFICATION BUS-20-067.
- 6. PACKAGED IN TRAYS.

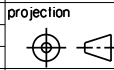
PCB NOTES:

- 7. ALL HOLE DIAMETERS ARE FINISHED HOLE SIZE.
- 8. MOUNTING HOLES, WHERE APPLICABLE, ARE UNPLATED.
- 9. $\varnothing 1.151 \pm 0.025$ DRILLED HOLES PLATED WITH
0.008 MIN SnPb OR Sn OVER 0.03
TO 0.08 Cu PLATING TO ACHIEVE
 $\varnothing 1.02 \pm .07$ HOLE.
- 10. "DIM XXX" TO BE DETERMINED BY THE CUSTOMER.
- 11. CONNECTOR KEEP-OUT ZONE.

| | | | | | | | | | | | |
|-------------|----------------|----------|------|---------------------------------------|----------------------|----------|--|------------|--|---------------------------|--|
| mat'l code | | SEE NOTE | | tolerances unless otherwise specified | | CUSTOMER | | FCI | | www.fciconnect.com | |
| lfr | ecn no. | dr | date | linear | 0.X ± 0.5 | COPY | | projection | | title | |
| A | | | | | 0.XX ± 0.25 | | | | | 7P | |
| | | | | angles | 0.XXX ± 0.1 | | | | | RIGHT ANGLE SOLDER HEADER | |
| | | | | dr | 0° ± 2° | | | | | product family PwrBlade | |
| | | | | engr | Jerome Chen 05/07/08 | | | size | | code | |
| | | | | chr | Jerome Chen 05/07/08 | | | A | | 213 | |
| | | | | appd | Gary Hsieh 05/07/08 | scale | | 51733-005 | | sheet | |
| | | | | | Joseph Hsia 05/07/08 | 1:1 | | | | 4 of 4 | |
| sheet index | revision sheet | | | | | | | | | | |



www.fciconnect.com



MM

scale 1:1

size

A

product family

PwrBlade

code

213

sheet

4 of 4

cage code 22526

4

Pro/E

PDM: Rev:A

STATUS: Released

Printed: Dec 20, 2010