

5

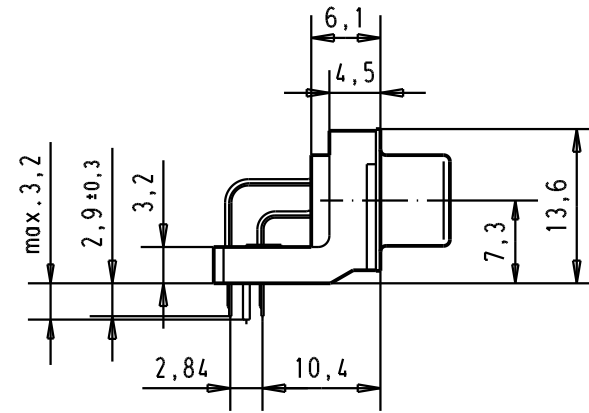
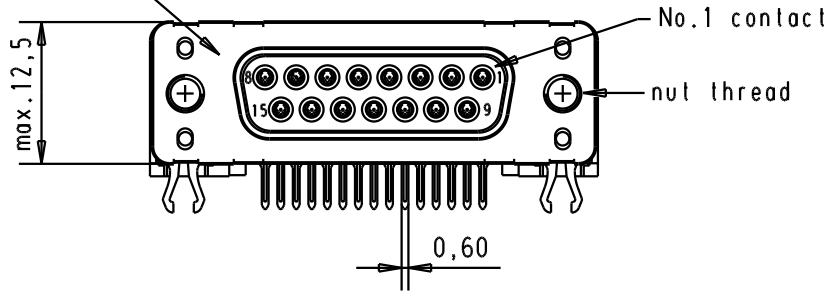
4

3

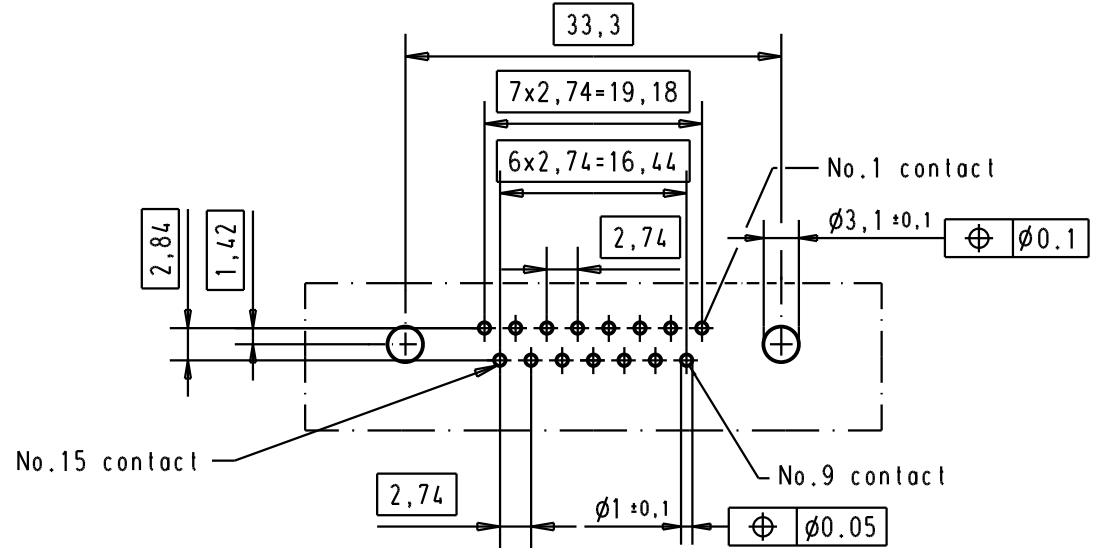
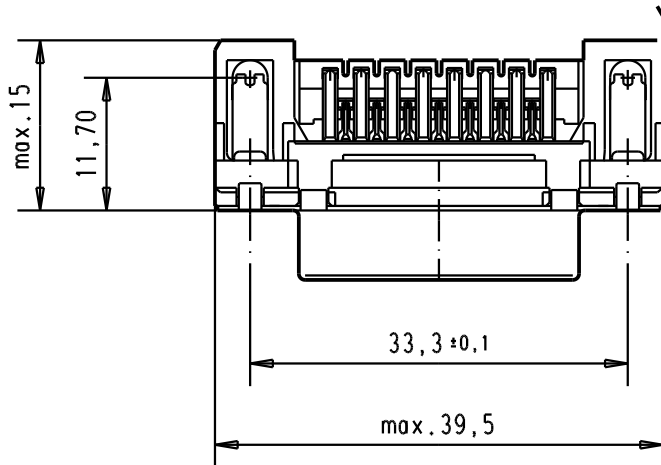
2

1

Mating face according to : MIL-C-24308 / DIN 41652 / CECC 75301-802



Printed board layout component side



Connector retention and insertion forces on the PCB = 25 / 80 newtons

A

09 66 257 3611	M 3	1																
09 66 257 6611	M 3	2						Det.	05/03/02	CV		D-Sub, high temperature, female, standard, 15 poles, with solder pins 2,9 mm, nuts and grounding board lock.	Moßstab/ Scale	1.5:1				
09 66 257 7611	M 3	3					Insp.			All Dim. in mm Orig. Size DIN A 4								
09 66 257 3612	4-40 UNC	1					Stand.											
09 66 257 6612	4-40 UNC	2	31892	05/05/04	JH	HARTING EURL F-95972 Paris				TB 0966257x61x	Blatt/ Page	2						
09 66 257 7612	4-40 UNC	3	29723	05/03/02	CV			Sub.										
Part number	Nut thread	Performance level	Mod.	Dat.	Name													