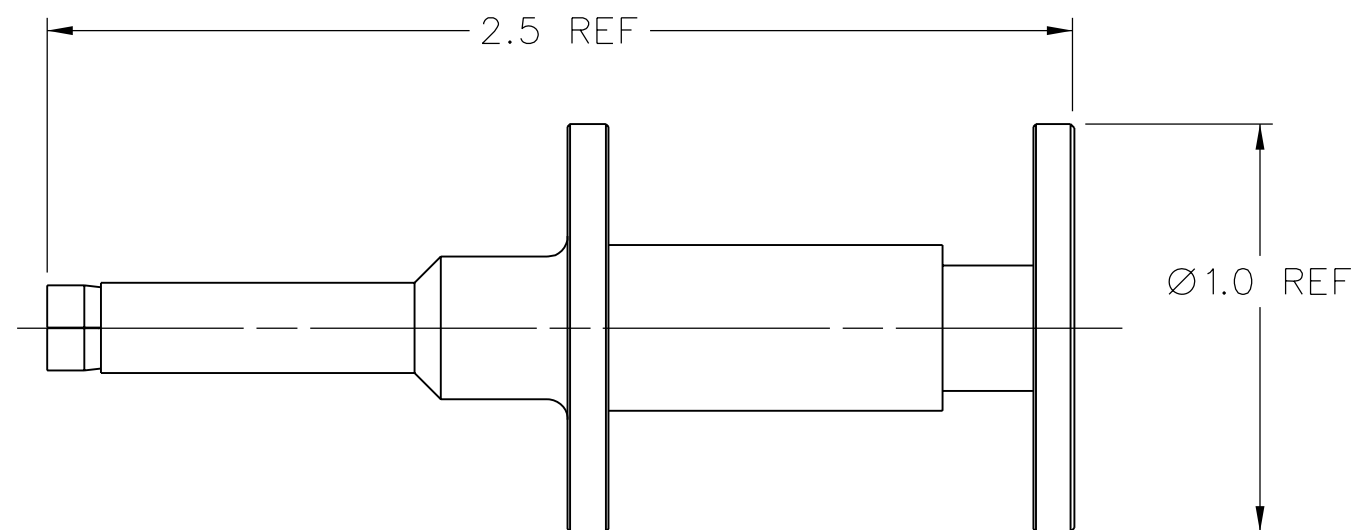
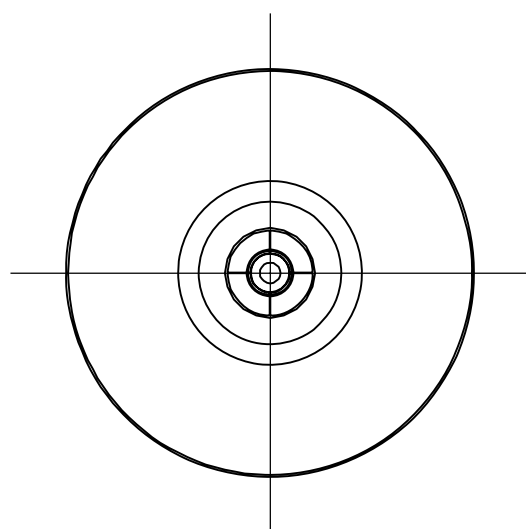
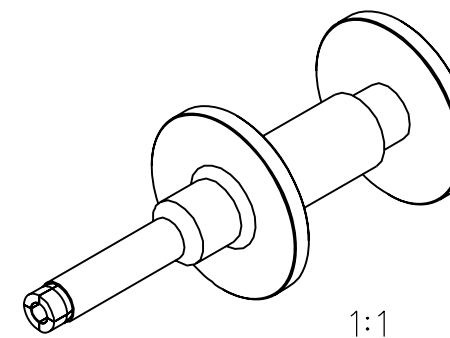


PART NUMBER	BODY	COLLET
127-0000-900	STAINLESS STEEL	BERYLLIUM COPPER NICKEL PLATED

DRAWING NO.		B-127-0000-900	
0	REVISIONS		
ENGINEERING RELEASE			
1	4-13-07	PAT	JRK PDW
			4-19-07 ECN 50991



CUSTOMER DRAWING

THIS DRAWING TO BE INTERPRETED
PER ASME Y 14.5M - 1994

"μSTATION"

COMPANY CONFIDENTIAL

NOTES:

1. APPLICATION: USED FOR INSTALLATION AND EXTRACTION OF 127-0901-801 AND 127-0901-811 FEMALE/FEMALE ADAPTERS.

TOLERANCE UNLESS OTHERWISE SPECIFIED		DRAWN BY	DATE
DECIMALS	mm	PAT	4-10-07
.XX	_____	CHECKED BY	DATE
.XXX	_____	PDW	4-18-07
MATL	_____	APPROVED BY	DATE
		JRK	4-18-07
FINISH	_____	RELEASE DATE	4-19-07
		U/M	INCH
		SCALE	2:1



Cinch Connectivity Solutions
P.O. Box 1732
Waseca, MN 56093
1-800-247-8256

TITLE	
SMP BULLET INSTALLATION AND EXTRACTION TOOL	
SHEET	DRAWING NO.
2 OF 2	B-127-0000-900