

SAC-4P-M5MR/ 1,5-PUR

Order No.: 1530388

<http://eshop.phoenixcontact.de/phoenix/treeViewClick.do?UID=1530388>Sensor/Actuator cable, 4-position, PUR, Black RAL 9005, Plug,
angled M5, A-coded, on Free conductor end, Cable length: 1.5 m**Commercial data**

| | |
|--------------------------|-------------------|
| GTIN (EAN) | 4046356024181 |
| sales group | D131 |
| Pack | 1 pcs. |
| Customs tariff | 85444290 |
| Weight/Piece | 0.0354 KG |
| Catalog page information | Page 70 (PC-2009) |

Product notesWEEE/RoHS-compliant since:
03/22/2006

<http://www.download.phoenixcontact.com>
Please note that the data given here has been taken from the online catalog. For comprehensive information and data, please refer to the user documentation. The General Terms and Conditions of Use apply to Internet downloads.

Technical data**General data**

| | |
|-----------------------|---------|
| Rated current at 40°C | 1 A |
| Rated voltage | 125 V |
| Number of positions | 4 |
| Volume resistance | ≤ 3 mΩ |
| Insulation resistance | ≥ 10 GΩ |

| | |
|---------------------------------|--|
| Length of cable | 1.5 m |
| Ambient temperature (operation) | -25 °C ... 80 °C (Male connector / female connector) |

General characteristics

| | |
|-----------------------------|-----------------------------------|
| Standards/regulations | M5 male connector IEC 61076-2-105 |
| Coding | A - standard |
| Surge voltage category | II |
| Pollution degree | 3 |
| Degree of protection | IP65/IP67 |
| Insertion/withdrawal cycles | ≥ 100 |
| Contact material | CuZn |
| Contact surface material | Au |
| Contact carrier material | PUR |
| Material of grip body | PUR |
| Material, knurls | Nickel-plated brass |
| Status display | No |
| Test voltage | 1750 V |

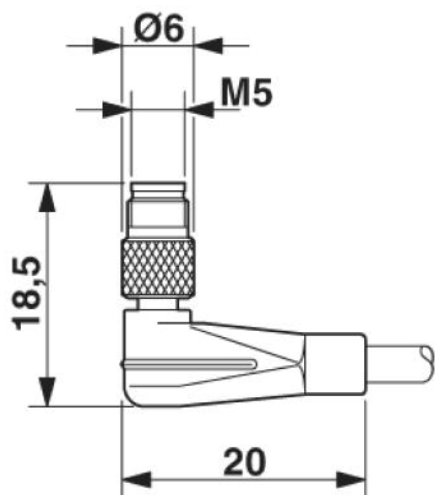
Conductor data

| | |
|---|---------------------------|
| Cable type | PUR/PVC black |
| Conductor cross section | 0.14 mm ² |
| AWG signal line | 26 |
| Conductor structure signal line | 18x 0.10 mm |
| Core diameter including insulation | 0.92 mm ±0.02 mm |
| External cable diameter | 3.50 mm |
| Wire colors | Black, brown, blue, white |
| External sheath, color | Black RAL 9005 |
| Insulation resistance | 100 MΩ*km |
| Conductor resistance | 148 mΩ/m |
| Nominal voltage, conductor | 100 V |
| Test voltage, conductor | 800 V _{rms} |
| Overall twist | 4 wires, twisted |
| Outer sheath, material | PUR |
| Material conductor insulation | PVC |
| Conductor material | Bare Cu litz wires |
| Smallest bending radius, fixed installation | 9 mm |
| Smallest bending radius, movable installation | 18 mm |

Diagrams/Drawings

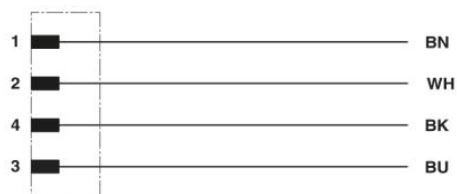
Dimensioned drawing

Plug M5 x 0.5, angled



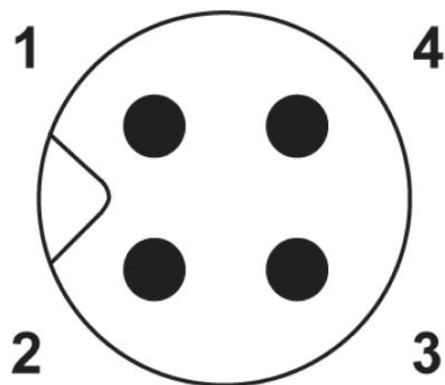
Circuit diagram

Contact assignment of the M5 connector



Schematic diagram

Plug M5, 4-pos.



Address

PHOENIX CONTACT Inc., USA
586 Fulling Mill Road
Middletown, PA 17057, USA
Phone (800) 888-7388
Fax (717) 944-1625
<http://www.phoenixcon.com>



© 2010 Phoenix Contact
Technical modifications reserved;