

5

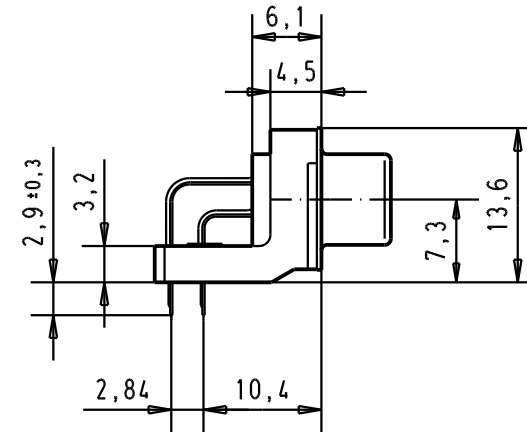
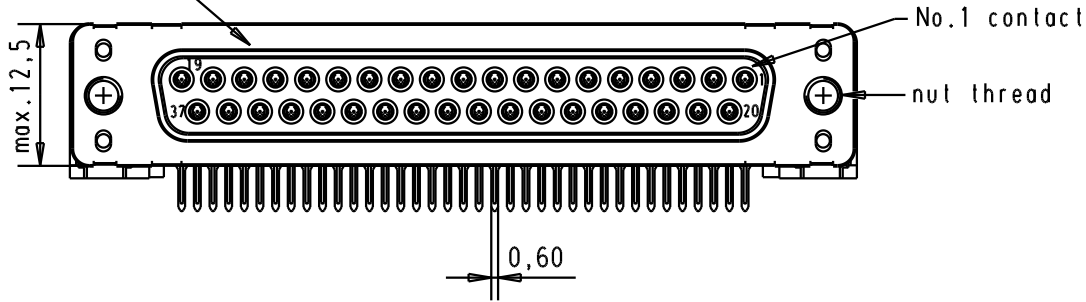
4

3

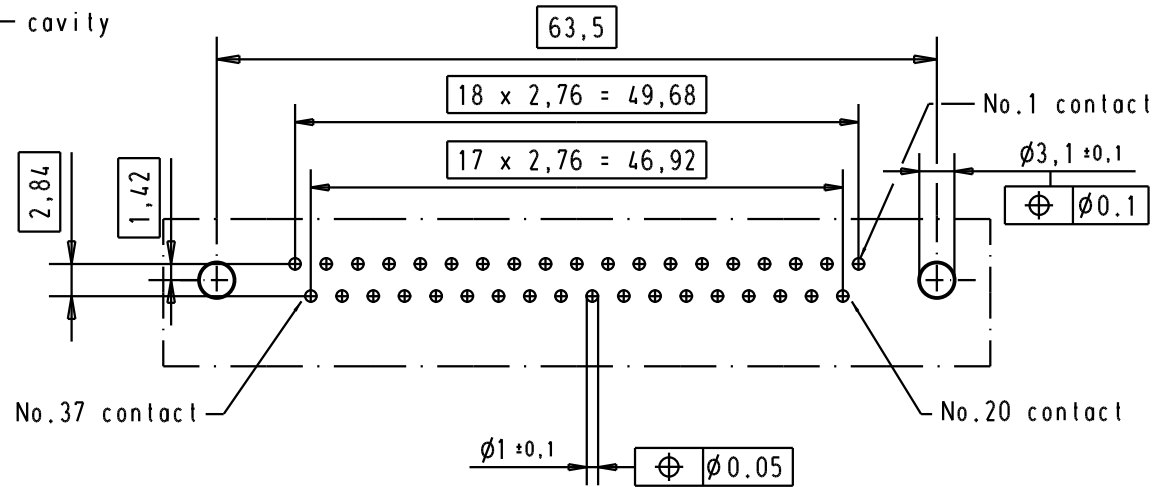
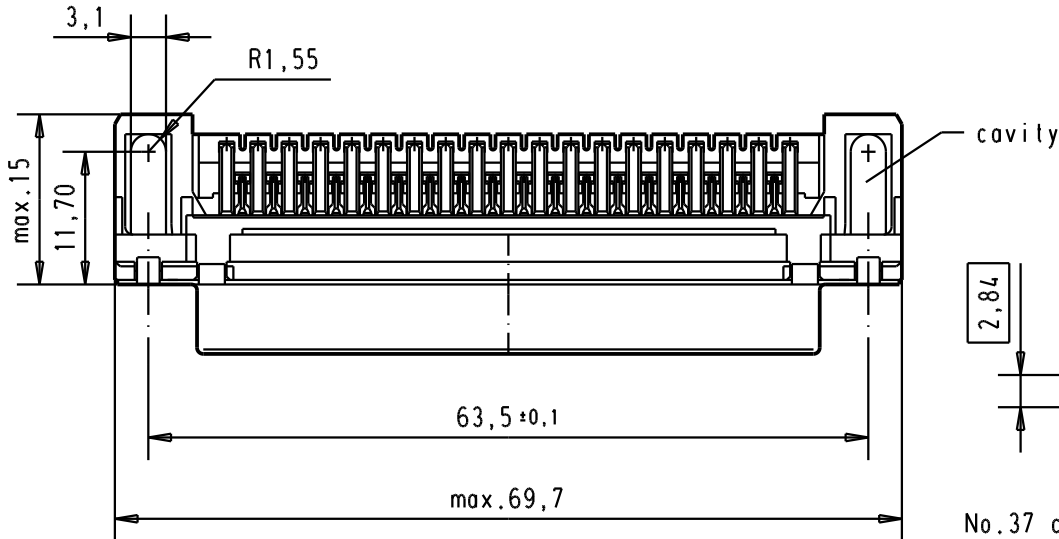
2

1

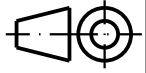

Mating face according to : MIL-C-24308 / DIN 41652 / CECC 75301-802



Printed board layout component side



A

Part number	Nut thread	Performance level	Mod.	Dat.	Name	Dat.	Name	 All Dim. in mm Orig. Size DIN A 4		D-Sub 37 poles standard angle female, solder pin with nut and hole	Maßstab/ Scale 1.5:1	
09 66 413 3601	M 3	1										
09 66 413 6601	M 3	2				Detail.	04/dec/00	ALSPACE				
09 66 413 7601	M 3	3				Insp.						
09 66 413 3602	4-40 UNC	1	31892	05/05/04	JH	Stand.						
09 66 413 6602	4-40 UNC	2	29773	18-APR-02	CV	HARTING EURL F-95972 Paris						
09 66 413 7602	4-40 UNC	3	27960	04/dec/00	ALSPACE							
											TB 0966413x60x Sub.	Blatt/ Page 2