

THIS DRAWING IS UNPUBLISHED. VERBODEN DE UNVEROFFENTLICHE ZEICHNING RELEASED FOR PUBLICATION FREI FÜR VERÖFFENTLICHUNG 2014. THIS DRAWING IS UNPUBLISHED. VERBODEN DE UNVEROFFENTLICHE ZEICHNING. DATED WITH PASSEND ZU.

PROJECT NO.: PRJ-14-00000805

REVISIONS				
NO.	DESCRIPTION	DATE	DWN	APVD
A2	DESCRIPTION CORRECTED FROM SOLDER TO SCREW TERMINAL IN TITLE BLOCK	13NOV2014	CR	JK

1 MATERIAL: ITEM NO. 1: HOUSING - PBT
 ITEM NO. 2: CONTACT BODY - PA
 ITEM NO. 3: CONTACT - CuZn

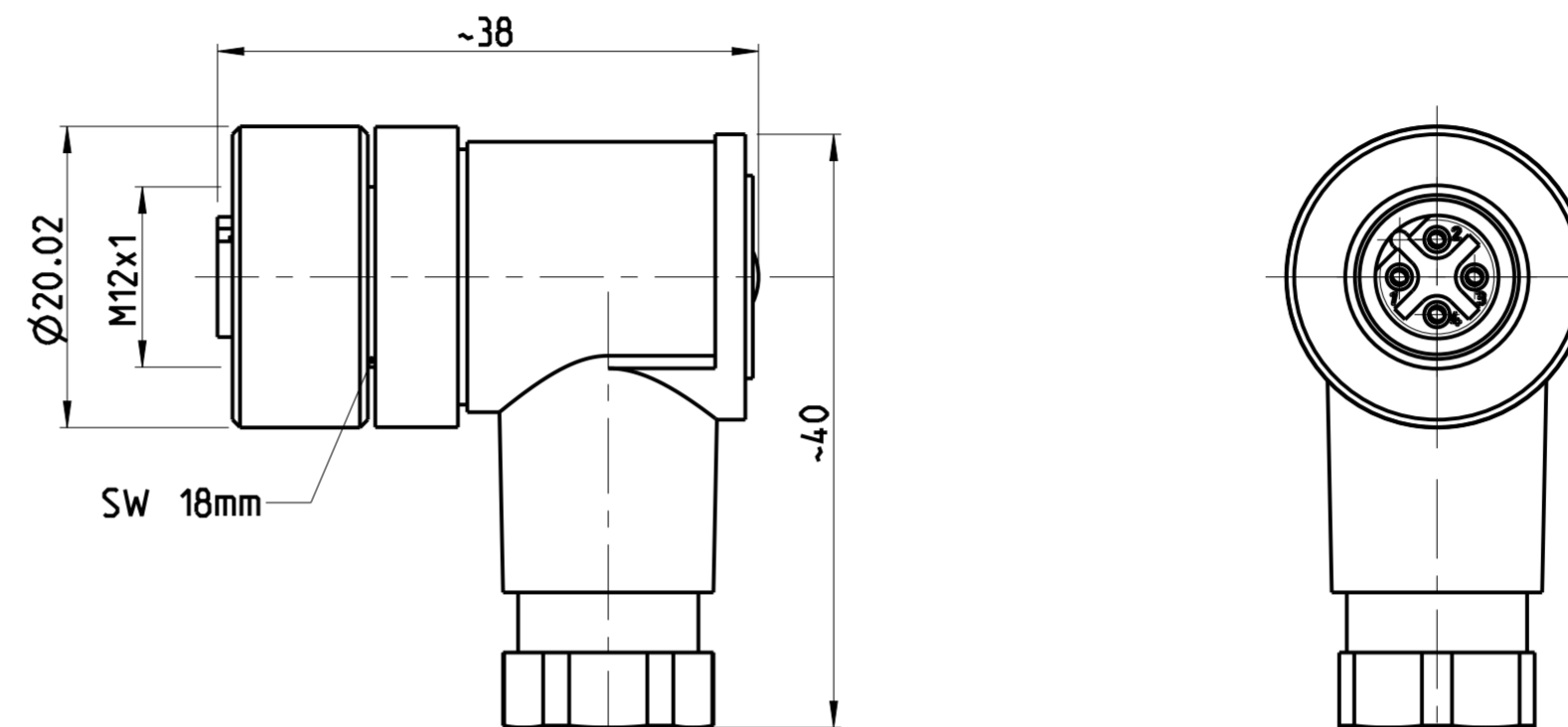
2 CONTACT FINISH - CuSnZn

3 CONTACT FINISH - Au

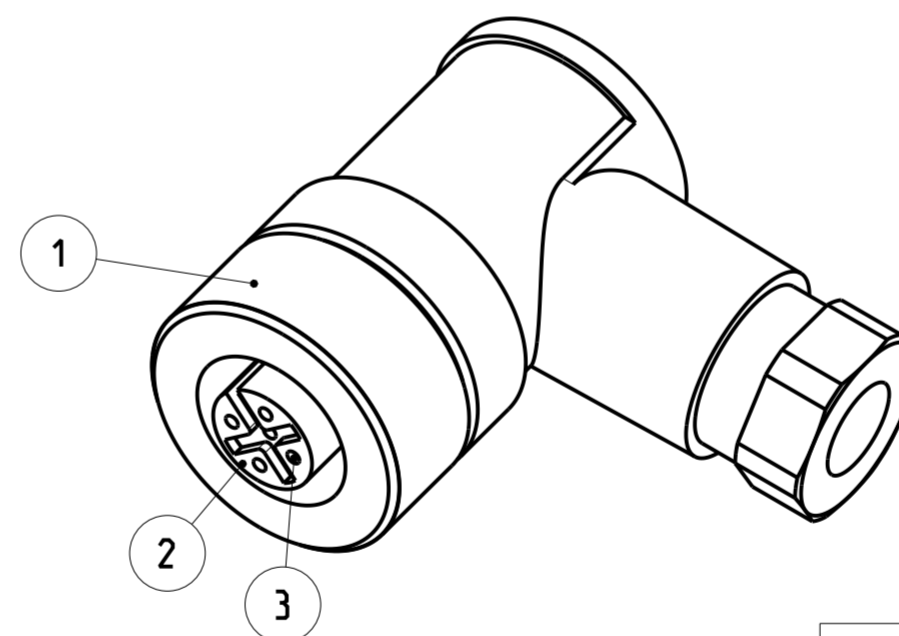
4 ALL DIMENSIONS ARE FOR NOMINAL REFERENCE ONLY UNLESS OTHERWISE STATED

5 MEASUREMENT REFERENCE ONLY

6 PACKAGING: 1 PIECE IN A BAG



TECHNICAL DATA	3-2271130-1	3-2271130-2	4-2271130-1	4-2271130-2
RATED VOLTAGE	250V	250V	125V	30V
RATED IMPULSE VOLTAGE	2500V	2500V	1500V	500V
POLLUTION DEGREE	3	3	3	3
OVERVOLTAGE CATEGORY	II	II	II	II
MATERIAL GROUP	II	III	III	III
RATED CURRENT	4A	4A	4A	2A
VOLUME RESISTIVITY	≤ 3mΩ	≤ 3mΩ	≤ 3mΩ	≤ 3mΩ
DEGREE OF PROTECTION	IP67	IP67	IP67	IP67
UPPER TEMPERATURE	+85 °C	+85 °C	+85 °C	+85 °C
LOWER TEMPERATURE	-40 °C	-40 °C	-40 °C	-40 °C



PIN ARRANGEMENT B-CODING (SCALE 2:1)

3-2271130-1	3-2271130-2	4-2271130-1	4-2271130-2

3-1 AS SHOWN WIE GEZEICHNET

CABLE FEED-THROUGH mm	WIRES AWG / mm²	MATERIAL	NUMBER OF POLES	TE-PART-NO.
6-8	24 / 0.25mm²	1 3	5	4-2271130-2
4-6	18 / 0.75mm²	1 2	5	4-2271130-1
6-8	18 / 0.75mm²	1 2	4	3-2271130-2
4-6	18 / 0.75mm²	1 2	4	3-2271130-1

DIESE ZEICHNUNG IST EIN KONTROLLIERTES DOKUMENT. BEMASSUNGEN UND TOLERANZEN GEMAESS GPS (ISO STANDARDS).

THIS DRAWING IS A CONTROLLED DOCUMENT. DIMENSIONING AND TOLERANCING PER GPS (ISO STANDARDS).

DIMENSIONS: MASSE/MASSSTAB: IT/IT1	TOLERANCES UNLESS OTHERWISE SPECIFIED: ALLGEMEINTOLERANZEN	DWN YASHKUMAR 21MAY2014	CHK M.STRELOW 21MAY2014	APVD C.SCHREITLINGER 21MAY2014
0 PLC ±	1 PLC ±	2 PLC ±	3 PLC ±	4 PLC ±
ANGLES/WINKEL	FINISH/OBERFLAECHE/FARBE	PRODUCT SPEC 108-19483	APPLICATION SPEC 114-32127	WEIGHT GEWICHT
MATERIAL		Customer Drawing	/KUNDENZEICHNUNG	SCALE MASSSTAB 2:1

STE TE Connectivity

M12 RECEPTACLE, 90 DEG ANGLED FIELD INSTALLABLE, UNSHIELDED CONNECTOR, SCREW TERMINALS, B-CODING

SIZE A2	CAGE CODE 00779	DRAWING NO. ZEICHNUNGS-NR. C-2271130	RESTRICTED TO MUR FUER
SHEET BLATT 1 OF 1		REV A2	

SIZE ISO 14405 (E)