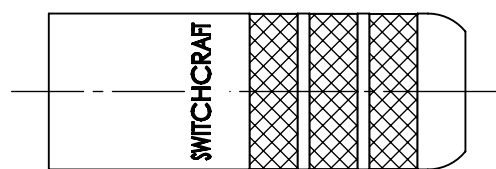
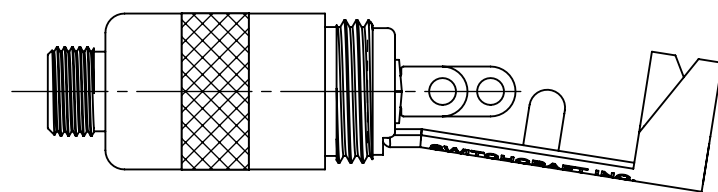
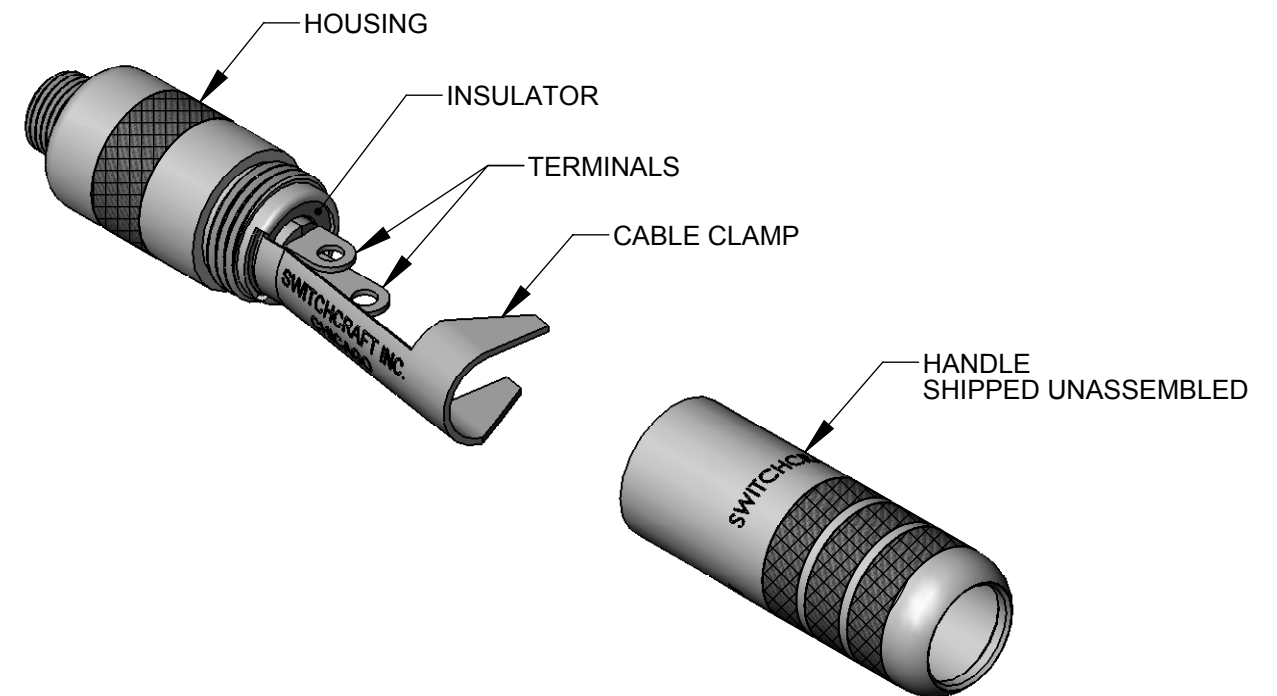
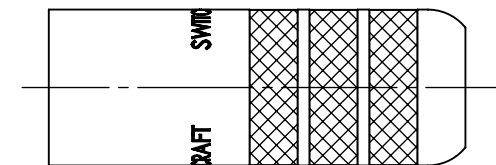
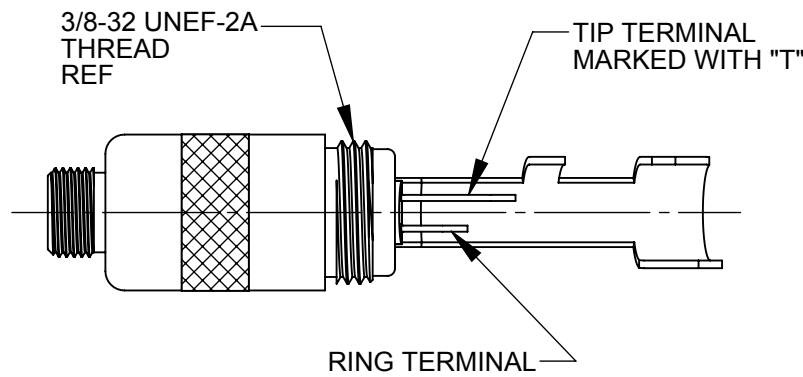


PART NUMBER CHART



CUSTOMER DRAWING

NOTES:

- MATES WITH LOCKING FEATURE OF 35HDL SERIES PLUGS.
- MATERIALS:
 HOUSING - COPPER ALLOY, NICKEL PLATED
 INSULATOR - THERMOPLASTIC, BLACK
 CONTACTS - BERYLLIUM COPPER, SEE CHART FOR PLATING.
 CABLE CLAMP - COLD ROLLED STEEL, TIN PLATED.
 HANDLE - COPPER ALLOY, NICKEL PLATED.
- THIS PRODUCT IS RoHS COMPLIANT.

REV	ECO NUMBER	DATE	BY	APVD
A	26677	01-07-11	JEB	TJK
REVISIONS				

UNLESS OTHERWISE SPECIFIED
 1. ALL DIMENSIONS IN INCHES
 - TWO PLACE DECIMALS ±0.02
 - THREE PLACE DECIMALS ±0.005
 DO NOT SCALE DRAWING

THIS DRAWING DESCRIBES A DESIGN CONSIDERED PROPRIETARY IN NATURE, DEVELOPED AND MANUFACTURED BY SWITCHCRAFT INC. AND IS RELEASED ON A CONFIDENTIAL BASIS FOR IDENTIFICATION PURPOSES ONLY.									
SIZE	WIDTH	MULT	LBS/M	TEMPER					
FINISH					MATERIAL				
SPEC No.					SPEC No.				
FIRST USED ON				SCALE 2:1					
DATE DRAWN	BY	CHKD	APVD	Switchcraft®					
09-16-09	BS	JEB	TJK	SHEET 1 OF 1					
NAME				PART No.			REV		
3.5 MM EXTENSION JACK, RoHS				35LJN_SERIES			A		