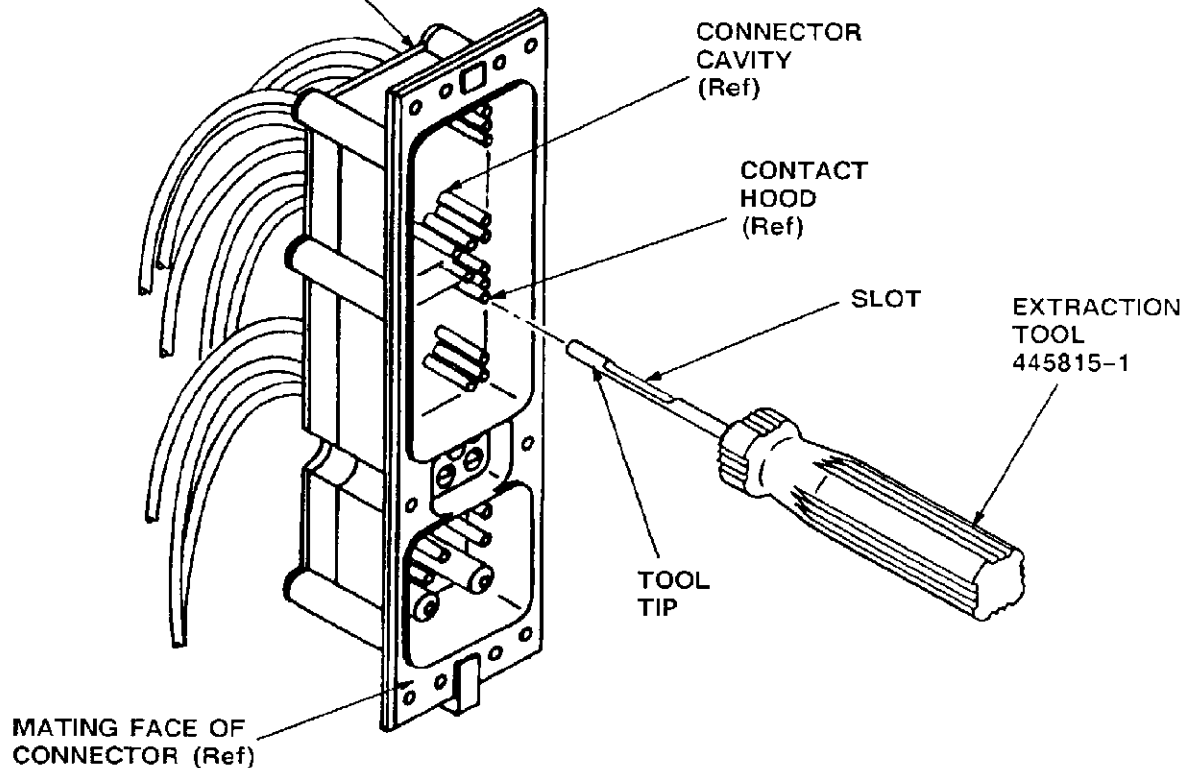


AMPAMP INCORPORATED
HARRISBURG, PA 17105

REDUCED FOR PACKAGING

IS 9493AMP* EXTRACTION TOOL 445815-1
FOR SIZE 22 FRONT RELEASE SOCKET CONTACTS
USED IN ARINC 600 RECEPTACLE CONNECTORSCUSTOMER HOTLINE
1 800 722-1111RELEASED
1-23-89ARINC 600 RECEPTACLE
CONNECTOR 211991 (Ref)

| SIZE | CONTACTS | | NUMBER OF WRAPS | MINIMUM POST EXTENSION DIMENSIONS FROM REAR OF INSERT | |
|---------|-------------|---------------|-----------------|-------------------------------------------------------|-----------|
| | SQUARE POST | DIAMETER POST | | | |
| 22 ↓ | 211245-2 | --- | 1 | .250 | (6.35mm) |
| | 211245-4 | --- | 2 | .375 | (9.525mm) |
| | 211245-6 | --- | 3 | .500 | (12.7mm) |
| | --- | 211431-2 | --- | .150 | (3.81mm) |
| | --- | 211431-4 | --- | .250 | (6.35mm) |
| | --- | 211431-6 | --- | .375 | (9.525mm) |
| | --- | 211431-8 | --- | .500 | (12.7mm) |

Fig. 1

1. INTRODUCTION

AMP Extraction Tool 445815-1 is used to extract Size 22, Snap-In Front Release Socket Contacts (Square or Diameter Post) from AMP ARINC 600 Receptacle Connectors. For information on ARINC connectors and front release socket contacts, refer to AMP Data Sheet 83-724. Read these instructions thoroughly before using the tool.

NOTE

All dimensions on this instruction sheet are in inches, unless otherwise stated.

2. DESCRIPTION (Figure 1)

The extraction tool features a plastic handle with a tool tip. To extract a contact, the tip is inserted into the connector cavity from the front or mating face of the

connector. The tool tip releases the retention clips which hold the contact in place.

3. CONTACT EXTRACTION

CAUTION

Do not angle or twist the tool when extracting the contact from the connector cavity, or when removing the contact from the tool tip. Too much force on the tool can cause damage to the tool tip and contact.

1. Align tool with center of connector cavity. Slide tool tip over contact hood; then insert tip into the cavity until it bottoms.
2. After tool tip is properly positioned, pull back on the tool to release the contact from the connector cavity.

3. Pull contact and tool out from the front of the connector.
4. To remove contact from tool, place thumb over slot of tool tip and push out the contact.

This completes the extraction procedure.

4. TOOL INSPECTION/REPLACEMENT

AMP Extraction Tools 445815-1 are inspected before shipment. AMP recommends the tools be inspected immediately upon arrival in your facility to ensure they have not been damaged during shipment, and that the tools conform to the dimensions provided in Figure 2.

Additional tools can be purchased by contacting:

AMP Incorporated
 P.O. Box 3608
 Harrisburg, PA 17105-3608

or a wholly owned subsidiary of AMP Incorporated.

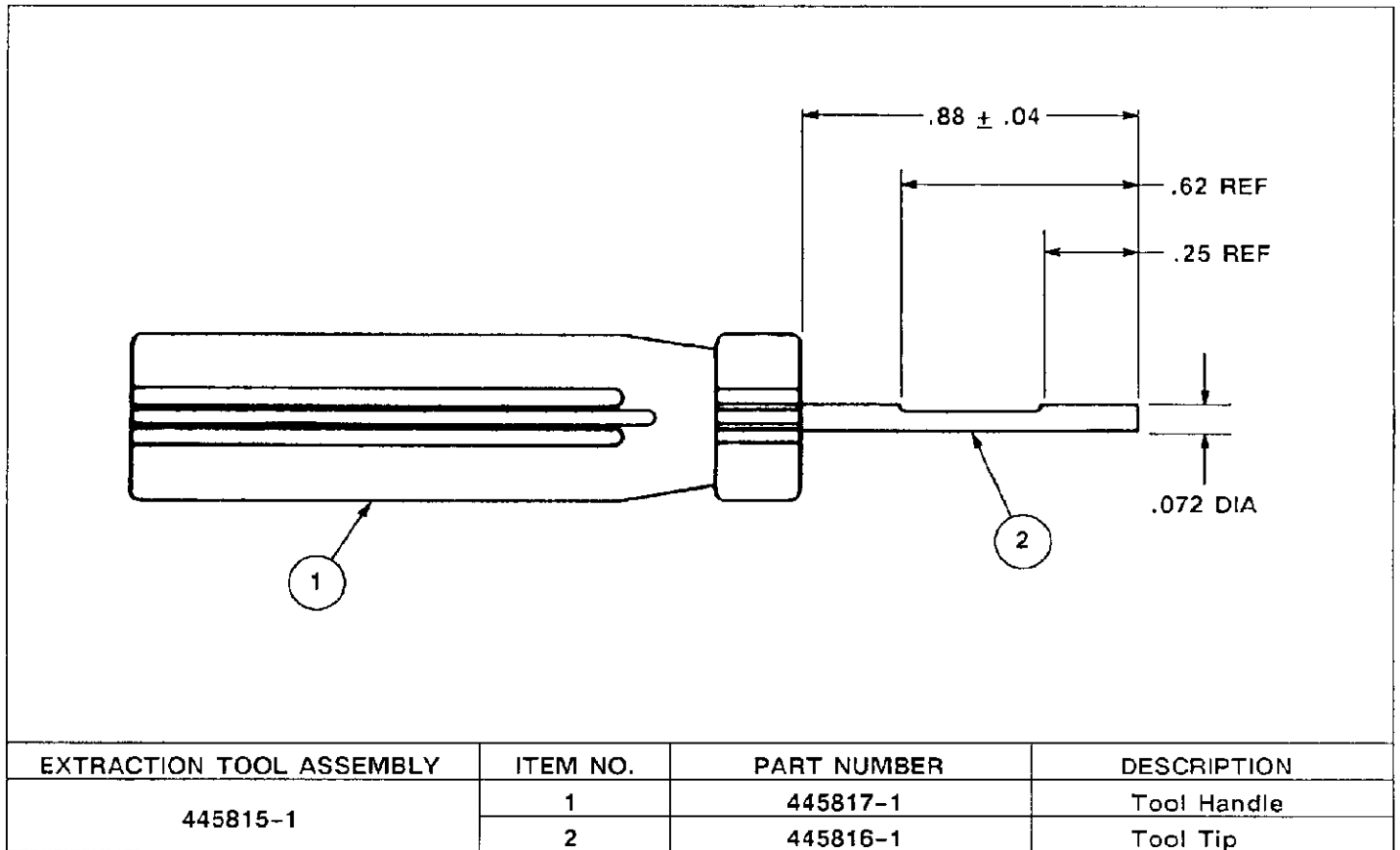


Fig. 2