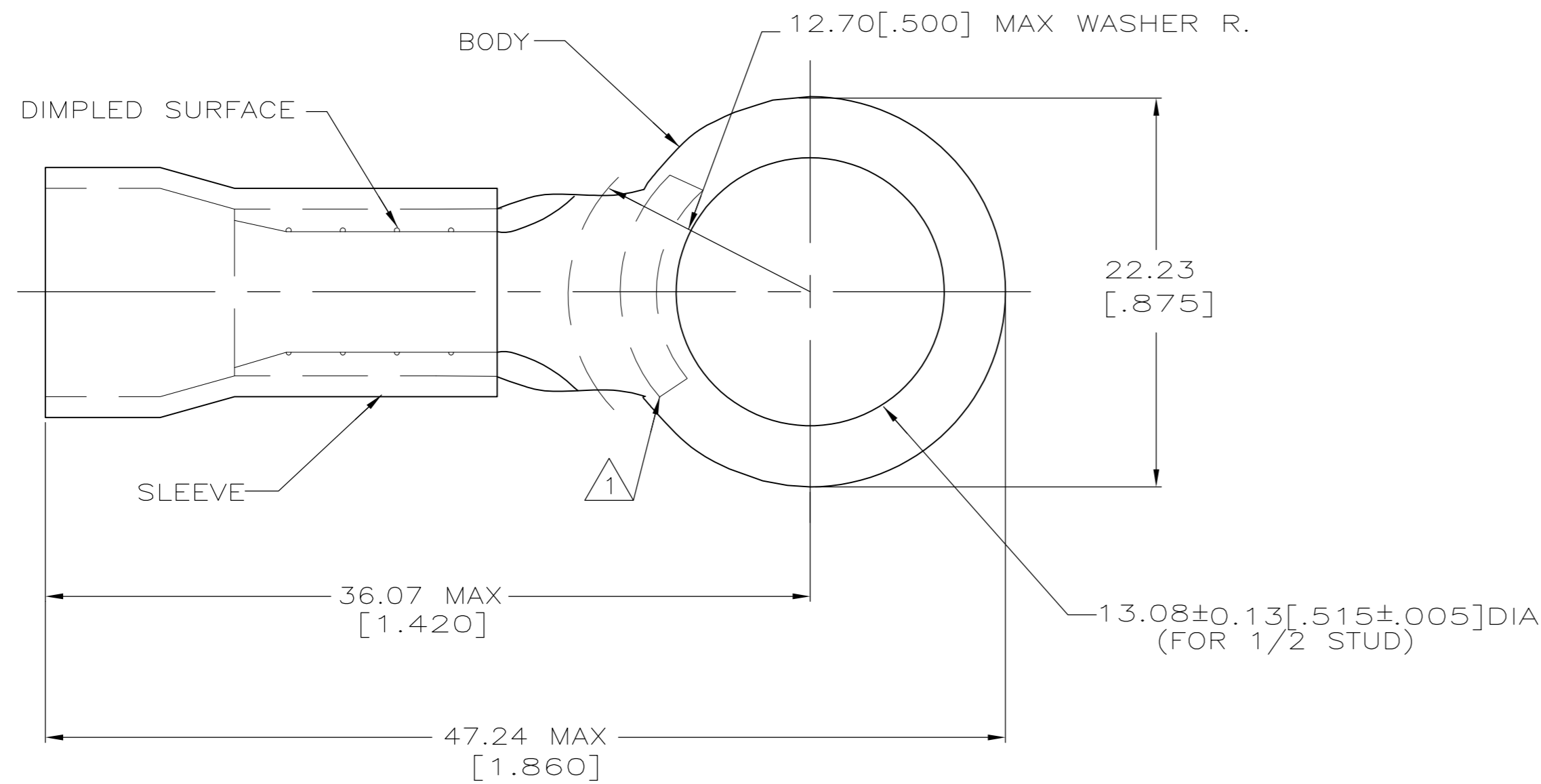


THIS DRAWING IS UNPUBLISHED. RELEASED FOR PUBLICATION
 © COPYRIGHT BY TYCO ELECTRONICS CORPORATION. ALL INTERNATIONAL RIGHTS RESERVED.

LOC	DIST	REVISIONS			
P	LTR	DESCRIPTION	DATE	DWN	APVD
G	14	K1	REVISED PER ECO-11-002228	11FEB11	HMR DR

AMP WIRE RANGE	R FILE E13288	CSA LR7189 Certified
8 AWG STRANDED	8 AWG STRANDED	8 AWG STRANDED



- △1 STAMP AMP 8* LOCATE APPROX AS SHOWN
- 2 TONGUE MATERIAL THK 1.02±0.08 [.040±.003]
- 3 WIRE INSULATION DIA 8.38 [.330] MAX
- △4 PARTS ON TAPE AT [1.200] CENTERS
- △5 PRELIMINARY - NOT FOR PRODUCTION

△4 △5	500	ON TAPE & REEL	2-52262-1
	100	LOOSE PIECE	52262-1
	QTY	PACKAGE TYPE	PART NO

AMP INCORPORATED CUSTOMER SERVICE SYSTEMS		MAX RECOMMENDED OPERATING TEMPERATURE: 105° C
FOR ADDITIONAL PRODUCT INFORMATION OR COPIES OF DRAWINGS AND TECHNICAL DOCUMENTS	PRODUCT INFORMATION CENTER 1-800-522-6752	VOLTAGE RATING: 600V MAX
FOR APPLICATION TOOLING INFORMATION	TOOLING ASSISTANCE CENTER 1-800-722-1111	CIRCULAR MIL AREA: 6.64-10.5mm² [13,100-20,800] STRANDED
FOR ORDER ENTRY	1-800-526-5142	THIS DRAWING IS A CONTROLLED DOCUMENT FOR AMP INCORPORATED. IT IS SUBJECT TO CHANGE AND THE CONTROLLING ENGINEERING ORGANIZATION SHOULD BE CONTACTED FOR THE LATEST REVISION.

THIS DRAWING IS A CONTROLLED DOCUMENT.		DWN JR RUTH 19DEC02	Tyco Electronics Corporation Harrisburg, PA 17105-3608	
DIMENSIONS: mm [INCHES]		CHK R. HERSEY 19DEC02	NAME T MICHELUTTI	
TOLERANCES UNLESS OTHERWISE SPECIFIED: 0 PLC ± - 1 PLC ± - 2 PLC ± 0.20 [.008] 3 PLC ± - 4 PLC ± - ANGLES ± -		APVD T MICHELUTTI 19DEC02	PRODUCT SPEC NOT AVAILABLE	
MATERIAL COPPER ASTM-B152 PVC COLOR:RED		FINISH TIN PLATE ASTM-B545	APPLICATION SPEC 114-2161	SIZE A2
WEIGHT -		WEIGHT -	CAGE CODE 00779	DRAWING NO C=52262
CUSTOMER DRAWING			SCALE 1:1	SHEET 1 OF 1
			RESTRICTED TO -	REV K1