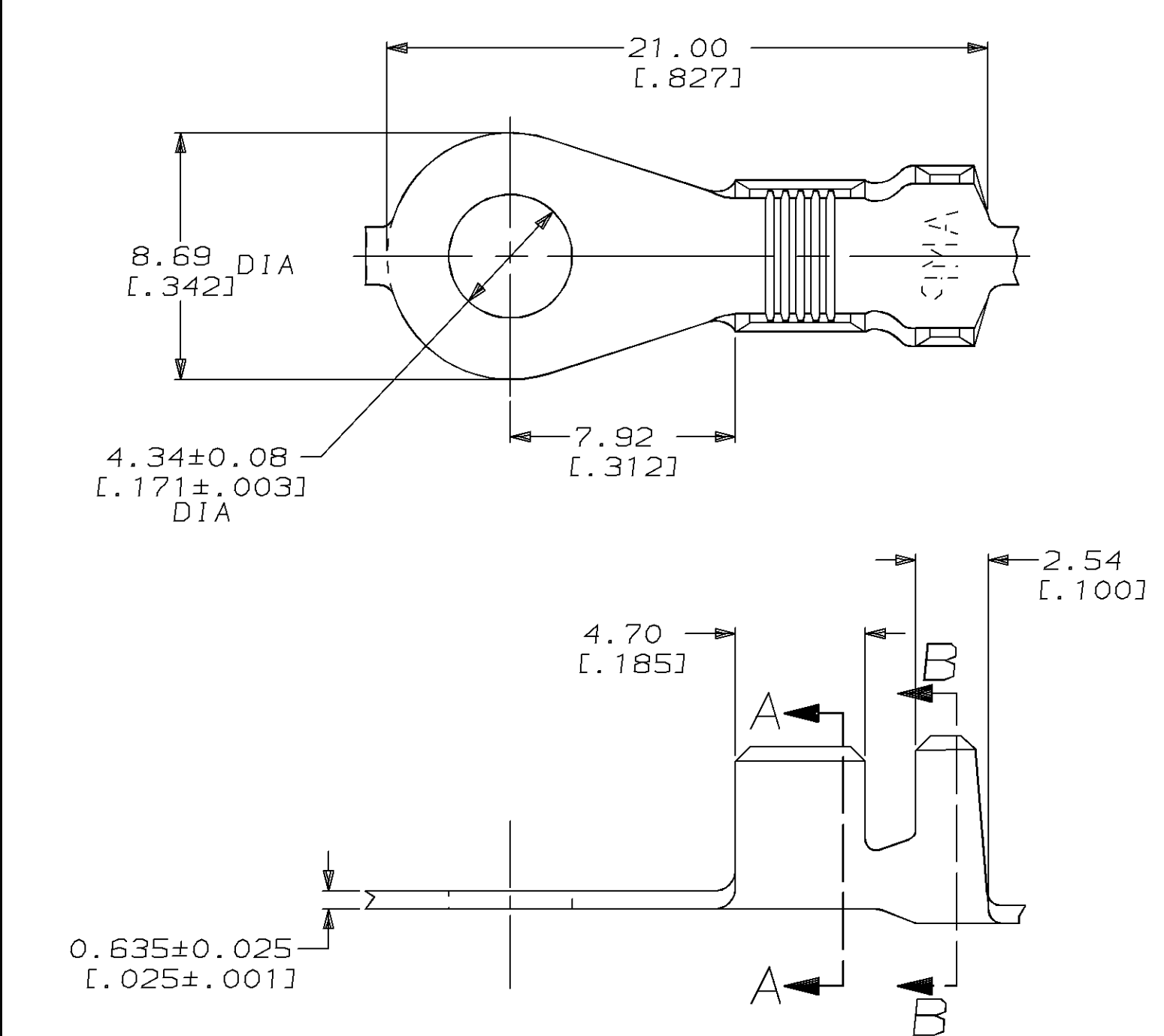
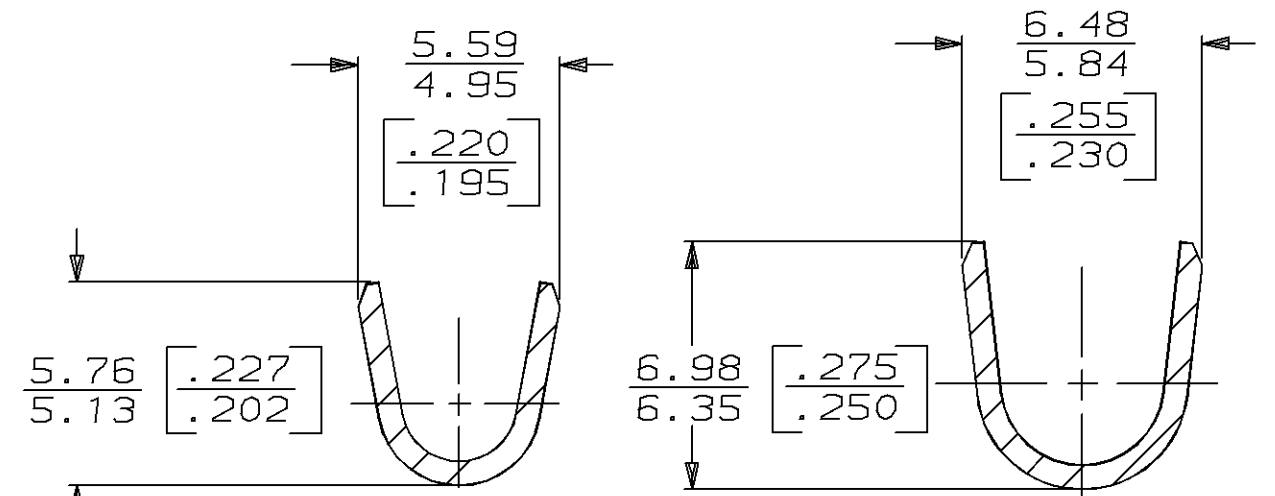


THIS DRAWING IS UNPUBLISHED. RELEASED FOR PUBLICATION, 19 .  
 © COPYRIGHT 19 BY AMP INCORPORATED. ALL INTERNATIONAL RIGHTS RESERVED.

LOC	DIST	P	F	ZONE	LTR	DESCRIPTION	DATE	APPD
AF	50				B	REVISED PER 0710-0503-95	02/OCT/95	PF/GY



1 CONTINUOUS STRIP ON REELS.



SECTION A-A

SECTION B-B

THIS DRAWING IS A CONTROLLED DOCUMENT FOR AMP INCORPORATED. IT IS SUBJECT TO CHANGE AND THE CONTROLLING ENGINEERING ORGANIZATION SHOULD BE CONTACTED FOR THE LATEST REVISION.

3.81-4.83 DIA [0.150-.190]		(2) #13 MAGNET [12-10]	63864-1
INSULATION RANGE		WIRE RANGE	PART NO
DO NOT SCALE PRINT. UNLESS SPECIFIED DIMENSIONS IN mm [INCHES] TOLERANCES ON: 2 PLC DEC ± 0.25[.010] 3 PLC DEC ± - ANGLES ± -		AMP AMP Incorporated Harrisburg, PA 17105-3608	
MATERIAL 082 BRASS		NAME RING, AMPLIVAR	
FINISH 0.002032 [.000080] MIN TIN PL PER MIL-T-10727		SIZE B	CAGE CODE 00779
DR 08/SEP/95 PHILLIP M FORTNEY CHK 08/SEP/95 JEFF R RUTH APPD 08/SEP/95 GARY YETTER APPD 08/SEP/95 MARK BARNABA PRODUCT SPEC - APPLICATION SPEC - WEIGHT -		DRAWING NO C-63864	SHEET 1 OF 1
		SCALE 5:1	