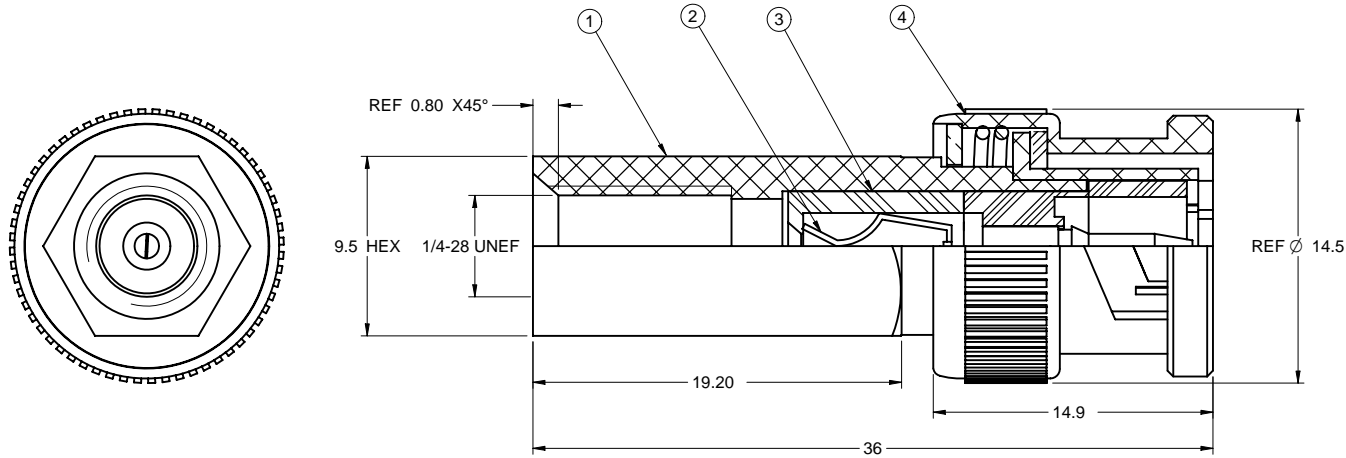


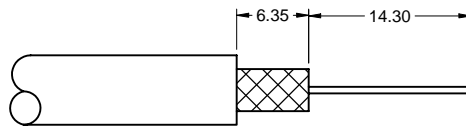
PART NUMBER	ITEM ① BODY	ITEM ② CONTACT	ITEM ③ INSULATOR	ITEM ④ CUPLING NUT
CPFI-UG88-4	ZINC NICKEL PLATED	BRASS GOLD PLATED	TEFLON	ZINC NICKEL PLATED

DRAWING NO. CPFI-UG88-4	
REVISIONS	
A RELEASE FOR QUOTATION	
09-26-05	Y U W T
B CHANGE SOME TOLERANCE; DELETED Ø13.8; ADD "REF" TO Ø14.5; ADD 4&5 NOTES.	
12-26-06	L Y T

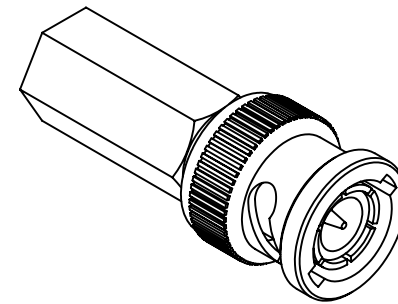


NOTES:

- ELECTRICAL SPECIFICATIONS
 IMPEDANCE: 50 OHMS NOMINAL
 FREQUENCY RANGE: 0-4 GHz
 WORKING VOLTAGE: 500 Vrms MAX AT SEA LEVEL
 DIELECTRIC WITHSTANDING VOLTAGE: 1500 vrms AT SEA LEVEL
 CORONA LEVEL: 375 VOLTS MINIMUM AT 70,000 FEET
 CONTACT RESISTANCE: OUTER-0.2 MILLIOHMS MAXIMUM
 CENTER-2.1 MILLIOHMS MAXIMUM
 INSULATION RESISTANCE: 5000 MEGOHMS MINIMUM
- MECHANICAL SPECIFICATIONS
 DURABILITY: 500 CYCLES MIN
 FORCE TO ENGAGE/DISENGAGE: 3 LBS. MAXIMUM
 CABLE ACCEPTABILITY: RG59, RG62
- ENVIRONMENTAL SPECIFICATIONS
 RECOMMENDED TEMPERATURE RANGE: -55 °C TO +85 °C
 MOISTURE RESISTANCE: MIL-STD-202
- PRODUCT SHOULD BE RoHS COMPLIANCE.
- PACKAGING REQUIREMENT FOLLOWS ENGINEERING DOCUMENT P/N 836-40200001XX.



CABLE STRIP DIMENSIONS
 ASSEMBLY INSTRUCTIONS ON SHEET 2



THIS DRAWING TO BE INTERPRETED
 PER ANSI Y 14.5M - 1994

COMPANY CONFIDENTIAL

TOLERANCE UNLESS OTHERWISE SPECIFIED		DRAWN BY LINDA.WU	DATE 12-26-06
DECIMALS	mm	CHECKED BY BETTY.YU	DATE 12-26-06
X	+ 0.5	APPROVED BY THOMAS	DATE 12-26-06
X.X	+ 0.2		
X.XX	+ 0.1		
ANGLES	+ 0.5°	U/M	mm

EMERSON
 Network Power

Connectivity Solutions

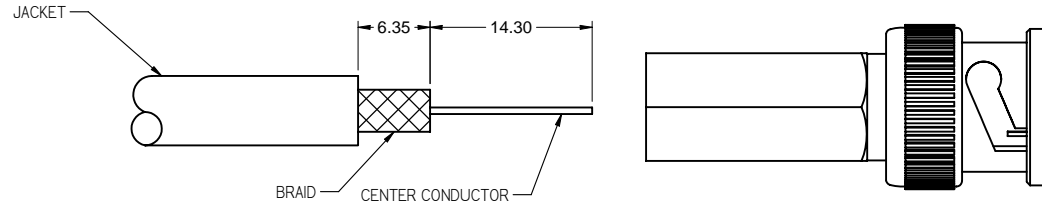
TITLE
 BNC TWIST-ON FOR RG-MATV-59

THIS DRAWING WAS PRODUCED BY COMPUTER,
 DO NOT SCALE DRAWING OR UPDATE MANUALLY.

SHEET 1 OF 2	DRAWING NO. CPFI-UG88-4	SIZE C
-----------------	----------------------------	-----------

PART NUMBER	CABLE	WIRE GAUGE	WIRE DECIMAL	JACKET O.D.
CPFI-UG88-4	RG-MATV-59	22-18	0.64-1.09	5.59-6.35

DRAWING NO. CPFI-UG88-4	
REVISIONS	
A	RELEASE FOR QUOTATION
09-26-05	Y U W T
B	VERSION UPDATE
12-26-06	L Y T

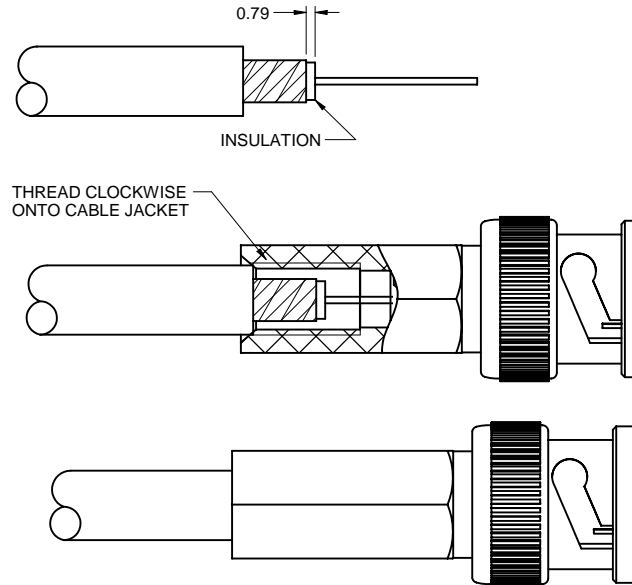


ASSEMBLY INSTRUCTIONS

1. IDENTIFY CONNECTOR PARTS. (1 PIECE)
2. TRIM CABLE AS SHOWN, TAKING CARE NOT TO NICK THE CENTER CONDUCTOR OR OUTER BRAID.
3. USE THE FINGERNAIL TO ROTATE THE OUTER BRAIDS CLOCKWISE SUCH THAT 1/32" OF THE INSULATION IS BARED. THEN IN THE SAME DIRECTION RUB THE STRAY BRAIDS FLAT. (STRAY OR LOOSE BRAIDS CAN CAUSE SHORTS.)
4. GENTLY INSERT THE CENTER CONDUCTOR DOWN THE BACK END OF THE CONNECTOR, FEEDING IT INTO THE GUIDE HOLE. (IF THE CENTER CONDUCTOR IS NOT IN PLACE, APPROXIMATELY 1/8" OF THE CENTER CONDUCTOR—THE PART CLOSEST TO THE DIELECTRIC—WILL STILL BE VIEWABLE.)
5. FIRMLY PUSH THE CABLE HOME (A SLIGHT CLOCKWISE TWIST MAY HELP WITH INSERTION). THEN SCREW THE CONNECTOR ON THE CABLE IN A CLOCKWISE DIRECTION UNTIL IT IS SNUGLY ATTACHED TO THE JACKET.

CABLE ASSEMBLY CAUTIONS:

- SERIES ARE DESIGNED FOR SOLID CENTER CONDUCTOR WIRE.
- RG-MATV-59 CABLE WILL REQUIRE CAUTION WHEN USING THE FINGERNAIL TO ROTATE THE BRAIDS ON CABLE TYPES THAT INCLUDE ALUMINUM FOIL FOR THE OUTER CONDUCTOR. DO NOT TEAR OR RIP THE FOIL CONDUCTOR TO THE 1/32" AS SUGGESTED BY STEP 3.



THIS DRAWING TO BE INTERPRETED PER ANSI Y 14.5M - 1994

COMPANY CONFIDENTIAL

TOLERANCE UNLESS OTHERWISE SPECIFIED		DRAWN BY LINDA.WU	DATE 12-26-06
DECIMALS	mm	CHECKED BY BETTY.YU	DATE 12-26-06
X	+ 0.5	APPROVED BY THOMAS	DATE 12-26-06
X.X	+ 0.2		
X.XX	+ 0.1		
ANGLES	+ 0.5°	U/M	mm

EMERSON Network Power	Connectivity Solutions
	TITLE BNC TWIST-ON FOR RG-MATV-59

THIS DRAWING WAS PRODUCED BY COMPUTER, DO NOT SCALE DRAWING OR UPDATE MANUALLY.

SHEET 2 OF 2	DRAWING NO. CPFI-UG88-4	SIZE C
-----------------	----------------------------	-----------