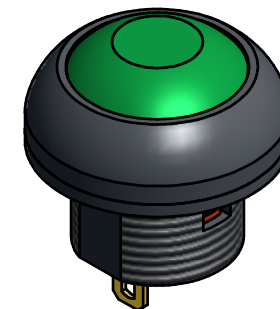
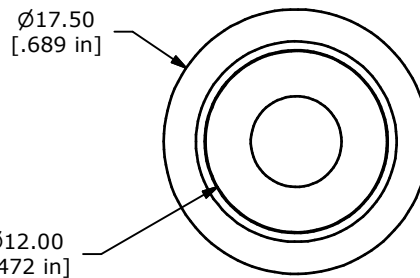
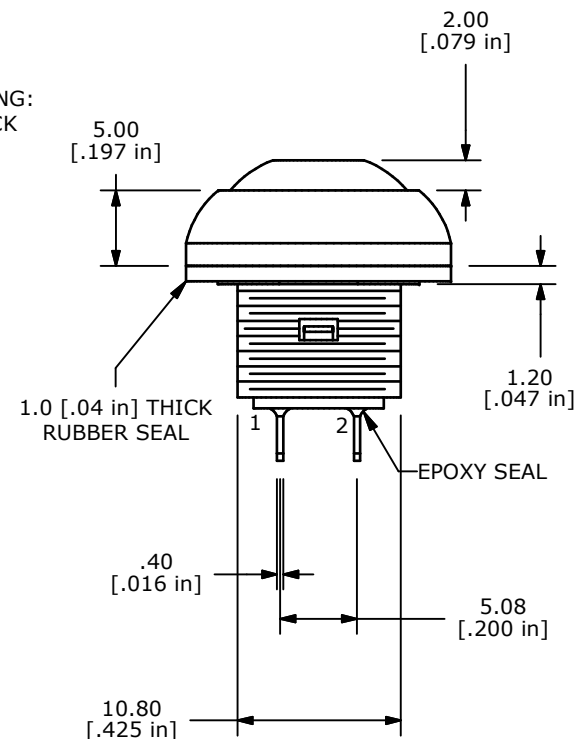
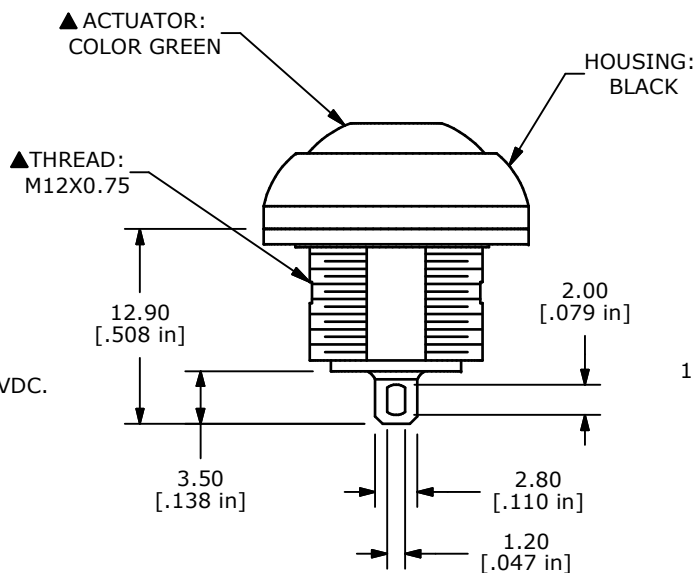


▲ **CIRCUIT: SPST**
OFF-(ON)
MOMENTARY



NOTE:

1. ALL DIMENSIONS IN MM [INCH]
2. GENERAL TOLERANCE: X.X=±0.4
X.XX=±0.25
3. TERMINAL NUMBERS FOR REF ONLY
4. CIRCUIT: SPST OFF-MOMENTARY ON
5. CONTACT MATERIAL: Gold over SILVER
- ▲ 6. RATING: 125mA @ 125 VAC
100mA @ 50 VDC
- ▲ 7. ELECTRIC LIFE: 500,000 CYCLES AT FULL LOAD
8. CONTACT RESISTANCE: 50 milli-OHM max. (INITIAL)
9. INSULATION RESISTANCE: 1,000 MEGA-OHM min. @ 500VDC.
10. DIELECTRIC STRENGTH: 1,000 VAC rms.
11. OPERATING FORCE: 350 gf +/- 150 gf
12. OPERATING TEMPERATURE: -30°C TO +85°C.
13. CONTACT BOUNCE: 10ms MAX.
- ▲ 14. TRAVEL: 1.5mm
15. PANEL THICKNESS RANGE: 1.5 - 4.0 mm.
16. ▲ DENOTES CRITICAL PARAMETER.
17. 2002/95/EC (ROHS) COMPLIANT
18. MAX MOUNTING TORQUE: 1.5Nm APPLIED TO HEX NUT
19. HARDWARE INCLUDED:
 1. T081101 LOCK WASHER
 2. T081102 HEX NUT
 3. T081100 RUBBER WASHER
- Ⓟ 20. SEAL RATING: IP67 AT THE FRONT PANEL



| | | | | |
|-----|--------|--------------------------------------|----------|-----|
| B | 21595 | CHANGE SEAL RATING FROM IP65 TO IP67 | 9/25/14 | EBP |
| A | 19934 | RELEASE TO PRODUCTION | 05/11/11 | BMA |
| REV | PCR NO | DESCRIPTION | DATE | BY |

| | | | | |
|------------------------------------|-----------|-----|----------|-----|
| TITLE RP8100B2M1CEBLKGRNNIL | | | | |
| SCALE | DATE | DR | DWG | REV |
| 2 : 1 | 5/11/2011 | BMA | ST081046 | B |

THE INFORMATION CONTAINED IN THIS DOCUMENT IS PROPRIETARY TO E-SWITCH AND IS NOT TO BE COPIED OR TRANSFERRED