

7 6 5 4 3 2 1

E

E

D

D

C

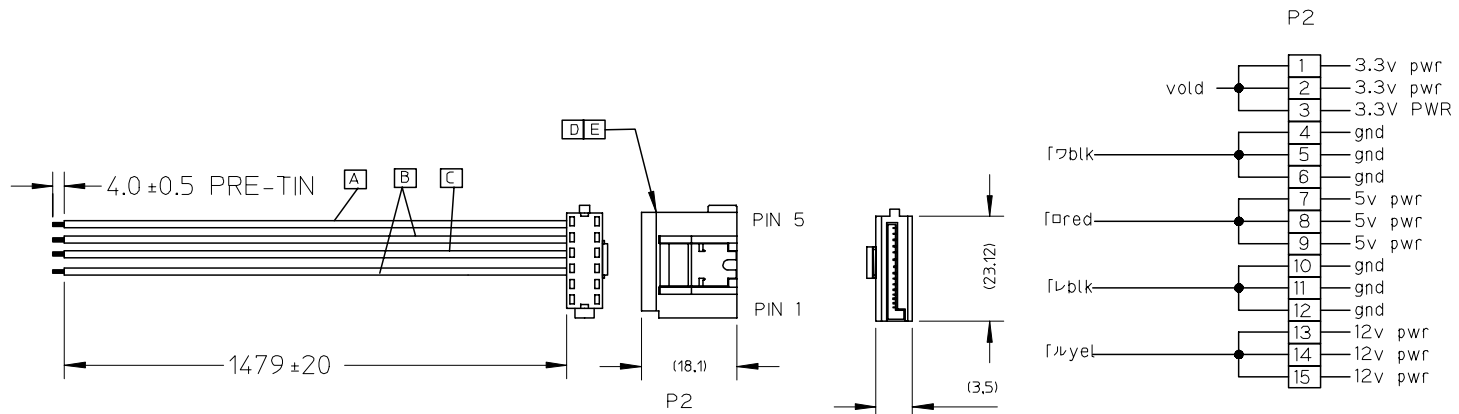
C

B

B

A

A



NOTE: 1. ELECTRIC PERFORMANCE:  
 DIELECTRIC STRENGTH: 500 V DC.  
 INSULATION RESISTANCE :100M OHMS MIN.  
 CONDUCTIVE RESISTANCE:2 OHMS MAX.  
 2.S-ATA HOUSING:  
 POLYESTER(PBT), UL94V-0(BLACK)

68561-0021	679260002	30u' Gold - plated terminal
68561-0020	679260001	Gold flash terminal
MATERIAL NO	S-ATA CONN.	DESCRIPTION

E	COVER 679260040	1	
D	S-ATA CONN. : SEE TABLE	1	
C	UL1007 #18 RED 887711301	1	1485
B	UL1007 #18 BLK 887711300	2	2970
A	UL1007 #18 YEL 887711303	1	1485
ITEM	DESCRIPTION	QTY	L(mm)

ENTER DESCRIPTION EC NO: DG2005-0009 DRWN: GXYANG CHKD: APPR: BOCHEN	2004/08/11 2004/08/18 2004/08/18	QUALITY SYMBOLS ▽=0 ◻=0	GENERAL TOLERANCES (UNLESS SPECIFIED)		DIMENSION STYLE MM ONLY		SCALE ---	DESIGN UNITS METRIC	THIRD ANGLE PROJECTION		
				mm	INCH	DRAWN BY GXYANG	DATE 04/08/10	TITLE S-ATA IDT POWER LATCHING TO PIGTAIL CABLE ASSEMBLY 1.5M (5V+12V)			
			4 PLACES	±---	±---	CHECKED BY TEDDY	DATE 04/08/10				
			3 PLACES	±---	±---	APPROVED BY BORON	DATE 04/08/10	MOLEX INCORPORATED			
2 PLACES	±---	±---	ANGULAR ±---°		MATERIAL NO. 685610020/1	DOCUMENT NO. SD-68561-004	SHEET NO. 1 OF 1				
1 PLACE	±---	±---	DRAFT WHERE APPLICABLE MUST REMAIN WITHIN DIMENSIONS		SIZE A4	THIS DRAWING CONTAINS INFORMATION THAT IS PROPRIETARY TO MOLEX INCORPORATED AND SHOULD NOT BE USED WITHOUT WRITTEN PERMISSION					

tb\_frame\_A4\_P\_ME\_T  
 Rev. D 2004/04/02

6

5

4

3

2

1