


THIS DRAWING IS A CONTROLLED DOCUMENT.		DWN TOMMY REN 09MAY2006	 trp CONNECTOR a bel group DONGGUAN CHINA
DIMENSIONS: mm		CHK KEITH ZHU 09MAY2006	
TOLERANCES UNLESS OTHERWISE SPECIFIED:		APVD TEDDY XIANG 09MAY2006	
0 PLC ±0.25 1 PLC ±0.25 2 PLC ±0.25 3 PLC ±0.25 4 PLC ± ANGLES ± APPLICATION SPEC ±		MODEL NAME MRJ21 ICM	
PRODUCT SPEC 108-2286		DESC MRJ21 1X4 9G33 GIGABIT OFFSET PRESSFIT W/O LED	RESTRICTED TO
		SIZE A2	CAGE CODE C-1840398
		CUSTOMER DRAWING	
		SCALE 3:1	SHEET 2 OF 6 REV G

D

C

B

A

D

C

B

A

-C-

SEE DETAIL D


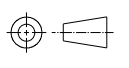
-B-

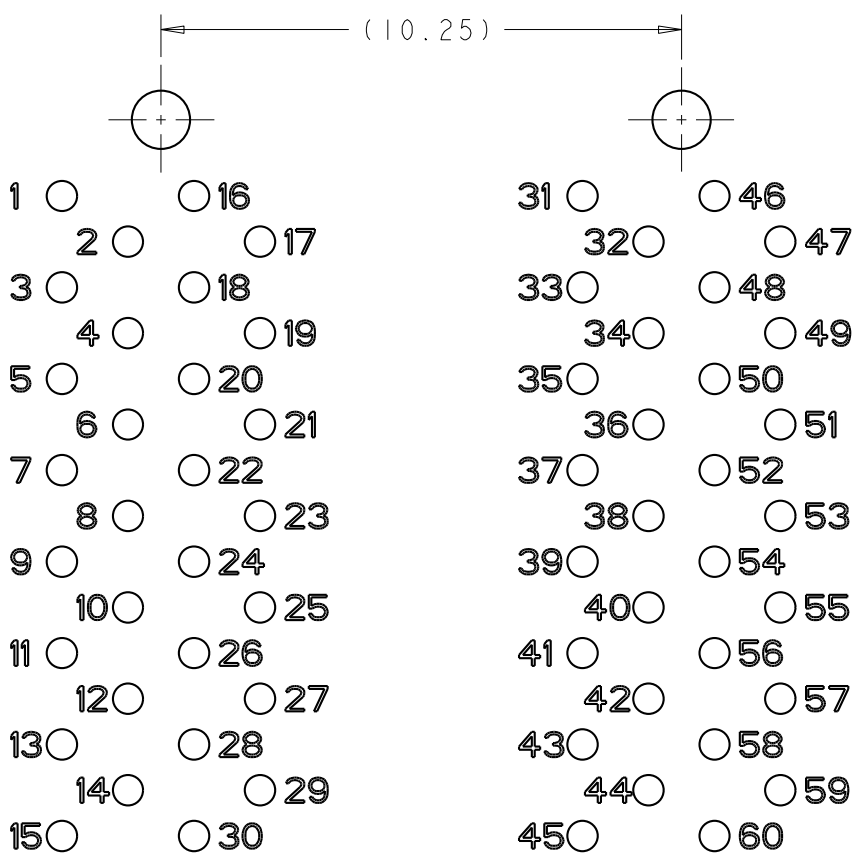
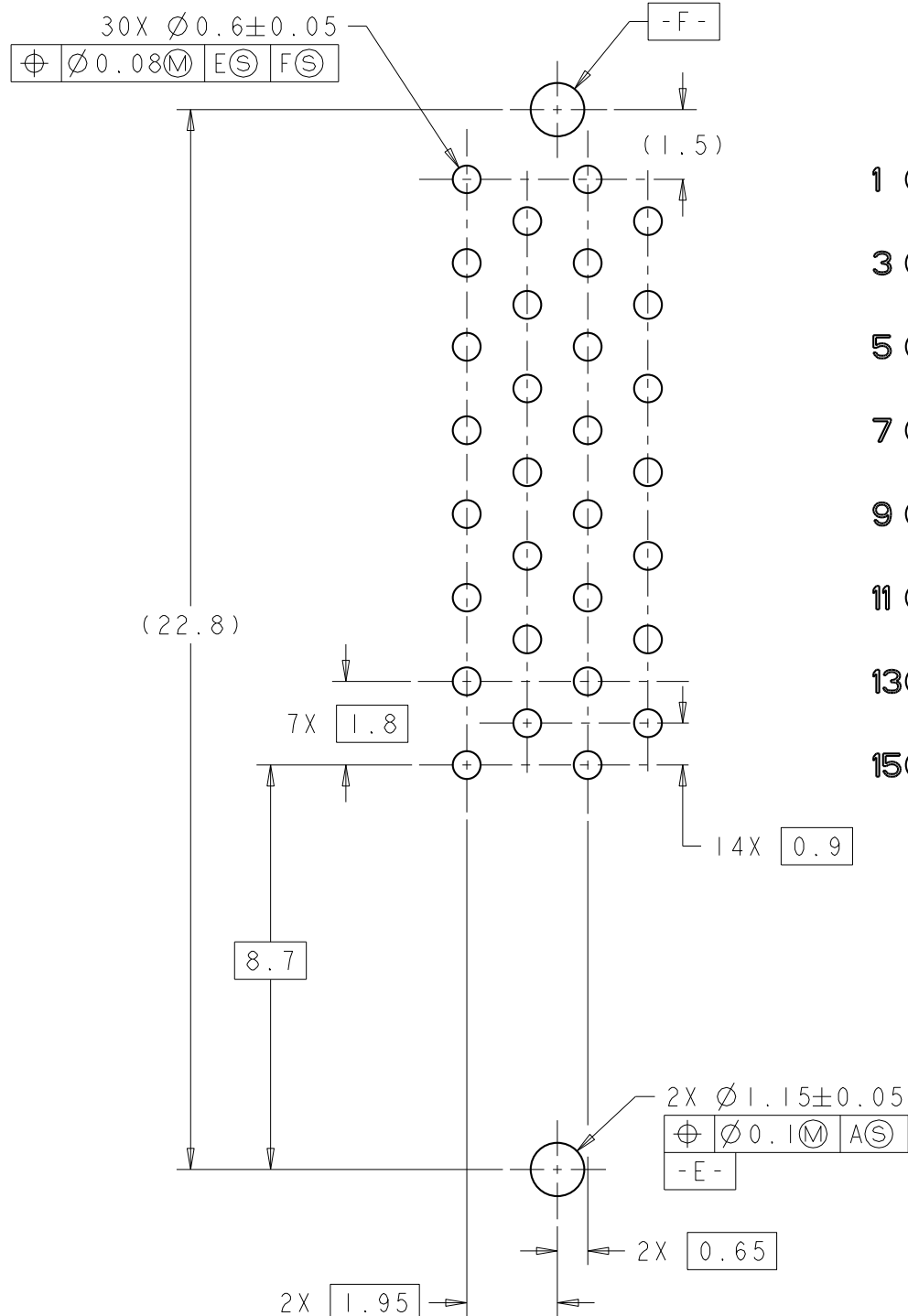
TO BE DETERMINED BY CUSTOMER 2.8 MAX

Ø 1.05 ± 0.05
 ⊕ Ø 0.1 (M) B C S
 -A-

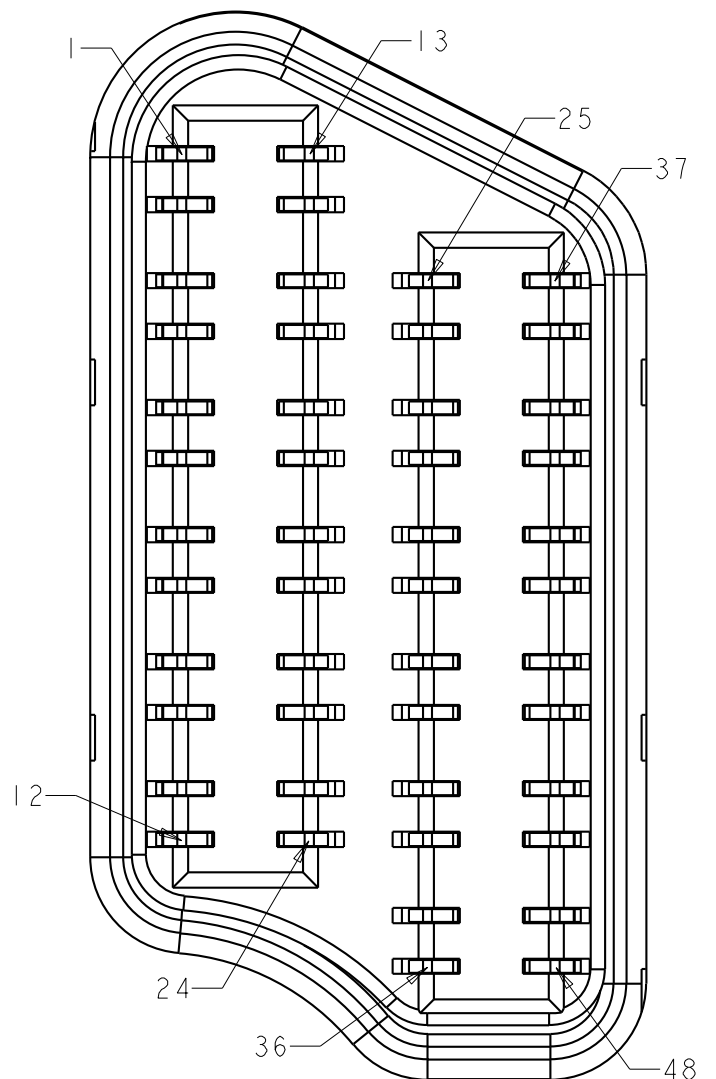
BSC
 DIMENSION FOR -C- TO BE DETERMINED BY THE CUSTOMER

RECOMMENDED PCB LAYOUT
 SCALE 4:1

THIS DRAWING IS A CONTROLLED DOCUMENT.		DWN TOMMY REN 09MAY2006	 trp CONNECTOR a bel group DONGGUAN CHINA
DIMENSIONS: mm		CHK KEITH ZHU 09MAY2006	
		APVD TEDDY XIANG 09MAY2006	
TOLERANCES UNLESS OTHERWISE SPECIFIED: 0 PLC ±0.25 1 PLC ±0.25 2 PLC ±0.25 3 PLC ±0.25 4 PLC ±- ANGLES ±- APPLICATION SPEC -		MODEL NAME MRJ21 ICM	
PRODUCT SPEC 108-2286		DESC MRJ21 1X4 9G33 GIGABIT OFFSET PRESSFIT W/O LED	RESTRICTED TO
		SIZE A2	CAGE CODE C=1840398
		CUSTOMER DRAWING	
		SCALE 3:1	SHEET 3 OF 6 REV G



HOST BOARD PIN IDENTIFIERS



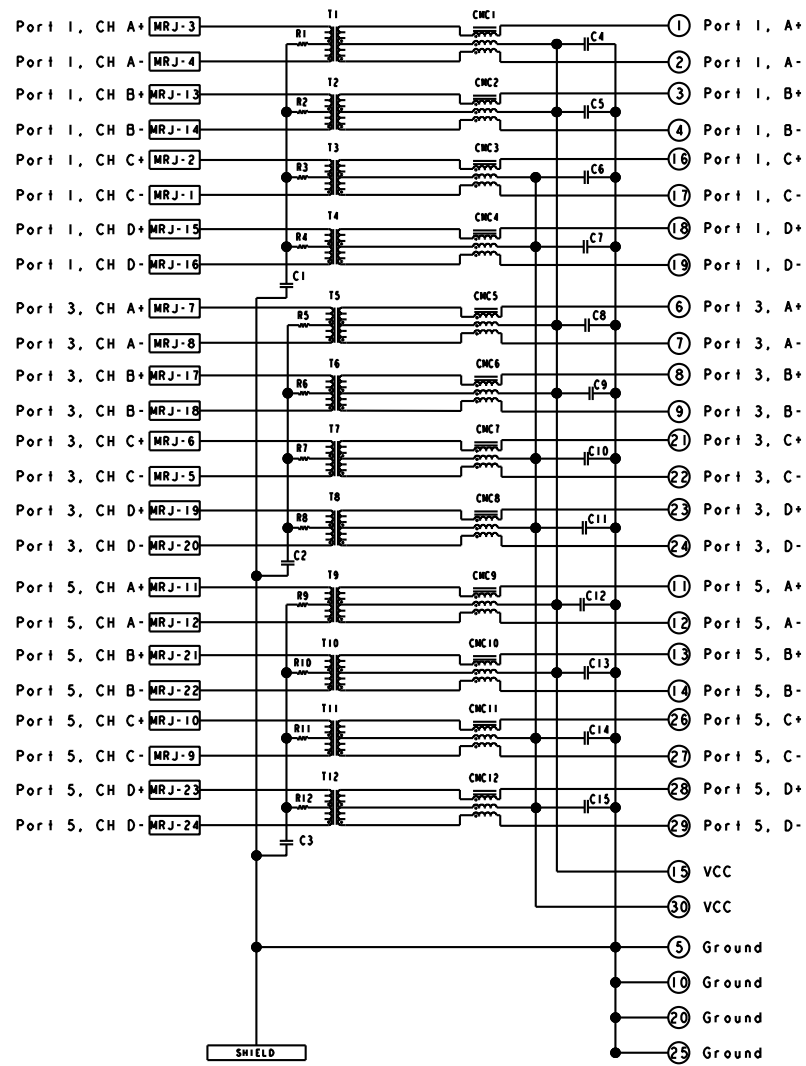
DETAIL E
MRJ INTERFACE PIN DESIGNATIONS
4X INDIVIDUALLY
SCALE 10:1

DETAIL D
TYPICAL
SCALE 10:1

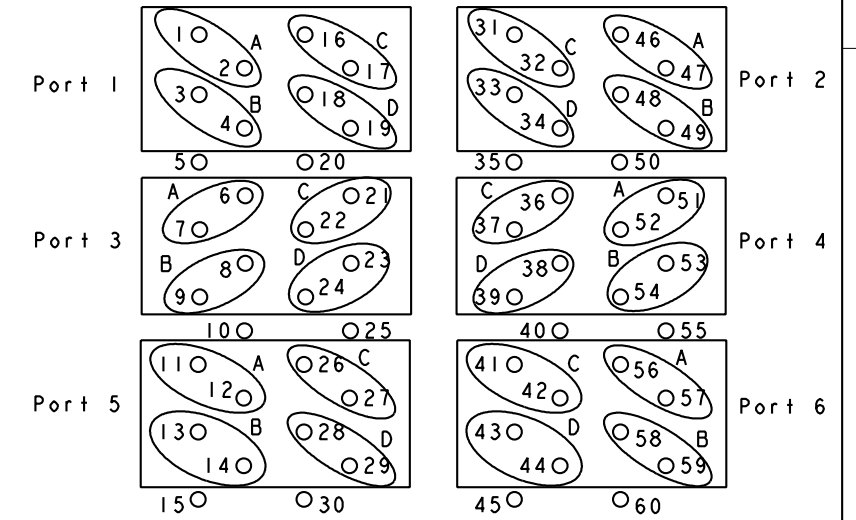
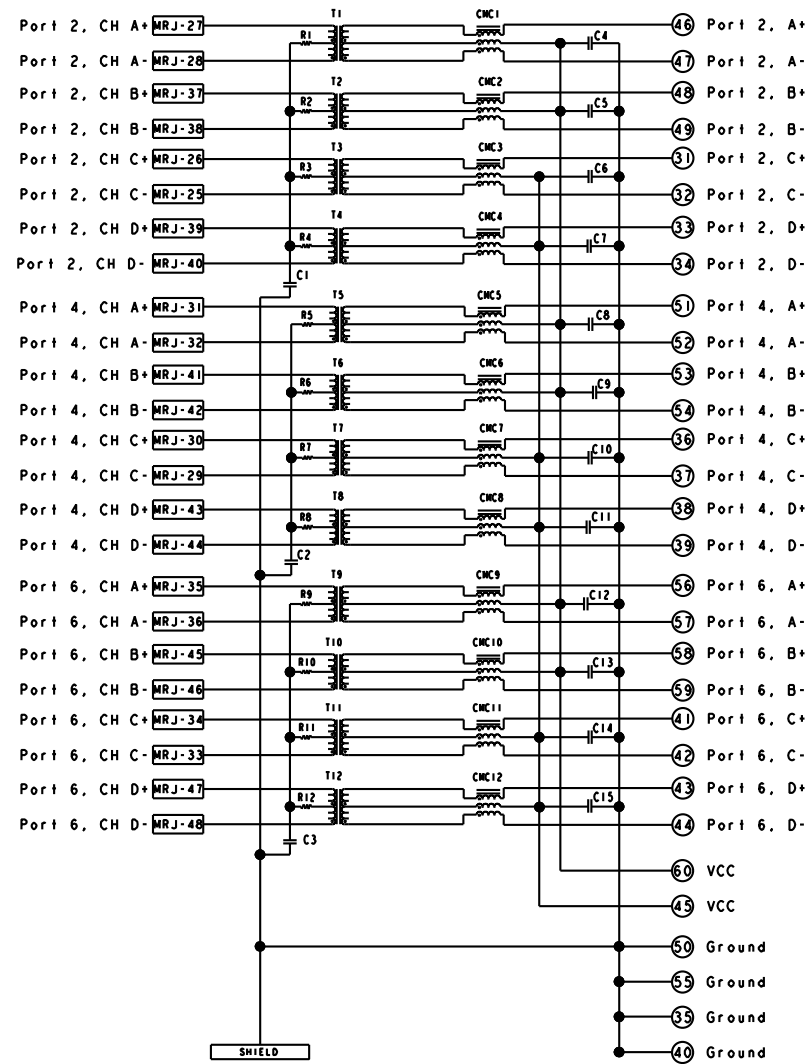
THIS DRAWING IS A CONTROLLED DOCUMENT.		DWN TOMMY REN 09MAY2006	<p>trp CONNECTOR a bel group</p> <p>DONGGUAN CHINA</p>													
DIMENSIONS: mm		CHK KEITH ZHU 09MAY2006														
TOLERANCES UNLESS OTHERWISE SPECIFIED:		APVD TEDDY XIANG 09MAY2006														
<table border="1"> <tr><td>0 PLC</td><td>±0.25</td></tr> <tr><td>1 PLC</td><td>±0.25</td></tr> <tr><td>2 PLC</td><td>±0.25</td></tr> <tr><td>3 PLC</td><td>±0.25</td></tr> <tr><td>4 PLC</td><td>±0.25</td></tr> <tr><td>ANGLES</td><td>±</td></tr> <tr><td>APPLICATION SPEC</td><td>±</td></tr> </table>		0 PLC		±0.25	1 PLC	±0.25	2 PLC	±0.25	3 PLC	±0.25	4 PLC	±0.25	ANGLES	±	APPLICATION SPEC	±
0 PLC	±0.25															
1 PLC	±0.25															
2 PLC	±0.25															
3 PLC	±0.25															
4 PLC	±0.25															
ANGLES	±															
APPLICATION SPEC	±															
PRODUCT SPEC 108-2286		DESC MRJ21 1X4 9G33 GIGABIT OFFSET PRESSFIT W/O LED	RESTRICTED TO -													
		SIZE A2	CAGE CODE -													
		DRAWING NO 1840398	SCALE 3:1													
		CUSTOMER DRAWING	SHEET 4 OF 6 REV G													

9G33 GIGABIT CIRCUIT

LEFT BOARD



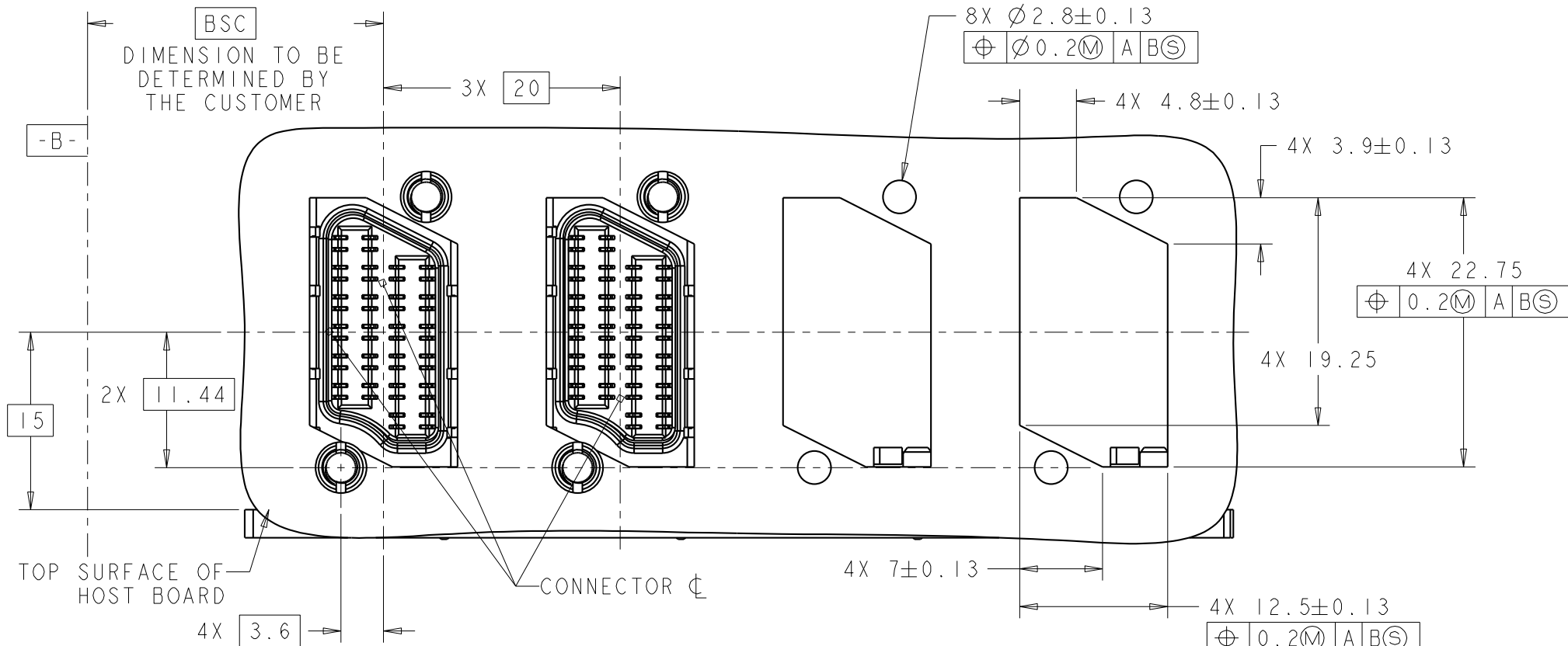
RIGHT BOARD



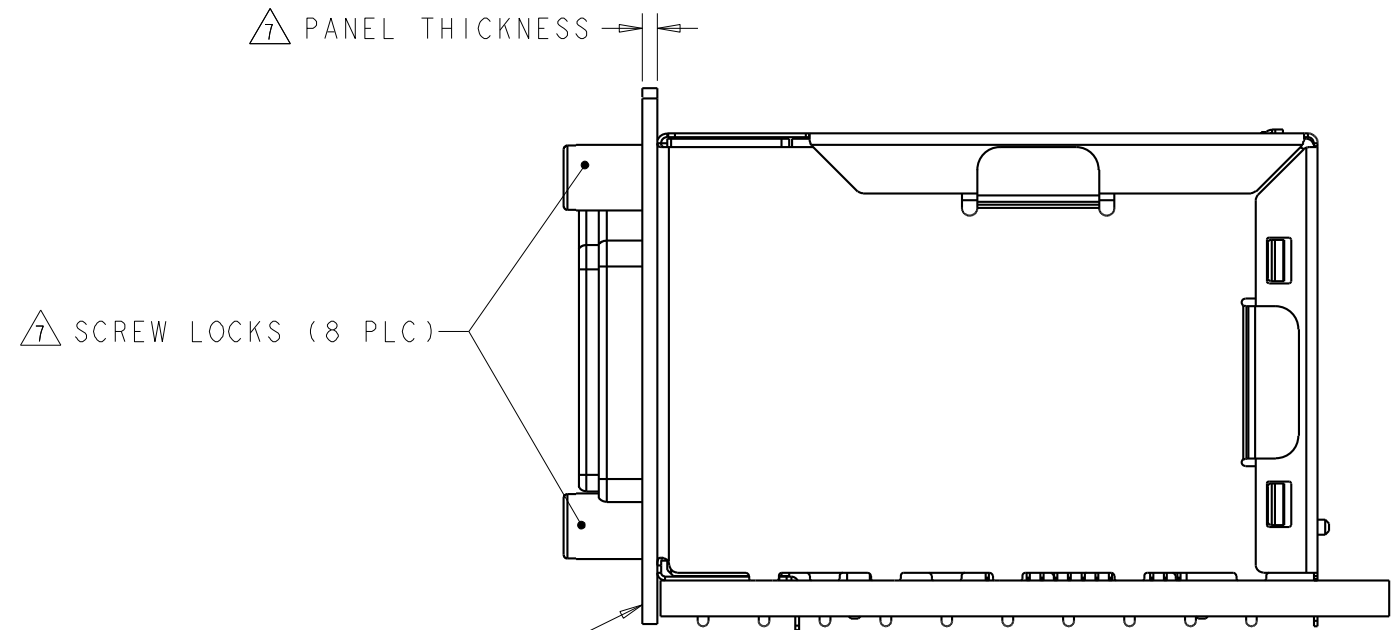
FOOTPRINT

C1-C3 = 1000pF, 2kV, CAPACITOR
 C4-C15 = 10 nF, 50V, CAPACITOR
 R1-R12 = 75 ohms, RESISTOR

THIS DRAWING IS A CONTROLLED DOCUMENT.		DWN: TOMMY REN 09MAY2006	trp CONNECTOR a bel group DONGGUAN CHINA
DIMENSIONS: mm		CHK: KEITH ZHU 09MAY2006	
TOLERANCES UNLESS OTHERWISE SPECIFIED:		APVD: TEDDY XIANG 09MAY2006	DESC: MRJ21 1X4 9G33 GIGABIT OFFSET PRESSFIT W/O LED
0 PLC ±0.25 1 PLC ±0.25 2 PLC ±0.25 3 PLC ±0.25 4 PLC ±0.25 ANGLES ±° APPLICATION SPEC		MODEL NAME: MRJ21 ICM	SIZE: A2
PRODUCT SPEC: 108-2286		DRAWING NO: C-1840398	
		CUSTOMER DRAWING	
		SCALE: 3:1	SHEET 5 OF 6 REV G




RECOMMENDED PANEL CUTOUT
(NO PANEL GROUNDS)
SCALE 3:1



PANEL SHOULD BE MATED TO THE FRONT FACE OF THE HOST BOARD AND SECURE THE CONNECTOR TO THE PANEL WITH SCREW LOCKS TO PROVIDE MAXIMUM STRAIN RELIEF

1840398-1
SHOWN WITH SCREW LOCKS
SCALE 3:1

THIS DRAWING IS A CONTROLLED DOCUMENT.		DWN: TOMMY REN 09MAY2006	 trp CONNECTOR a bel group DONGGUAN CHINA
DIMENSIONS: mm		CHK: KEITH ZHU 09MAY2006	
TOLERANCES UNLESS OTHERWISE SPECIFIED:		APVD: TEDDY XIANG 09MAY2006	
0 PLC ±0.25 1 PLC ±0.25 2 PLC ±0.25 3 PLC ±0.25 4 PLC ± ANGLES ± APPLICATION SPEC ±		MODEL NAME: MRJ21 ICM	
PRODUCT SPEC: 108-2286		DESC: MRJ21 1X4 9G33 GIGABIT OFFSET PRESSFIT W/O LED	RESTRICTED TO: -
		SIZE: A2	CAGE CODE: C=1840398
		CUSTOMER DRAWING	SCALE: 3:1 SHEET 6 OF 6 REV G