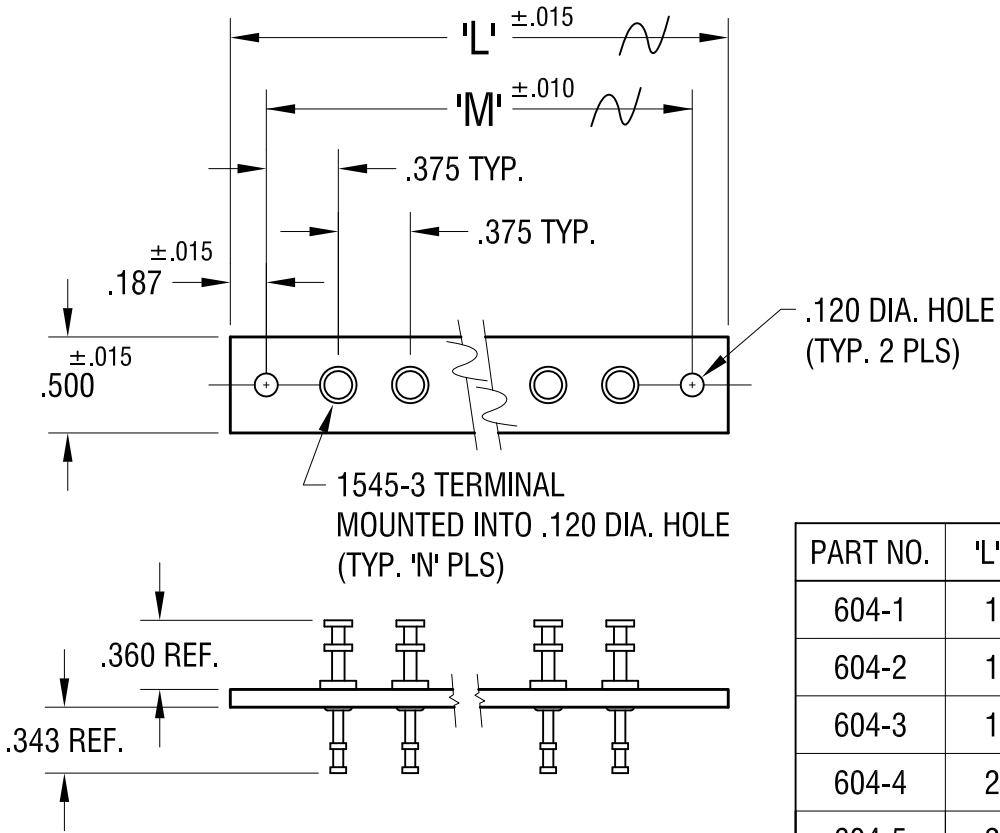


THIS DOCUMENT IS THE PROPERTY OF KEYSTONE ELECTRONICS CORP. AND SHALL NOT BE REPRODUCED, DISTRIBUTED OR USED AS A BASIS FOR MANUFACTURE WITHOUT PRIOR WRITTEN PERMISSION FROM KEYSTONE ELECTRONICS CORP.



PART NO.	'L' DIM.	'M' DIM.	'N' TERM.
604-1	1.125	.750	1
604-2	1.500	1.125	2
604-3	1.875	1.500	3
604-4	2.250	1.875	4
604-5	2.625	2.250	5
604-6	3.000	2.625	6
604-7	3.375	3.000	7
604-8	3.750	3.375	8
604-9	4.125	3.750	9
604-10	4.500	4.125	10

KEYSTONE ELECTRONICS CORP.
 www.keyelco.com • ASTORIA, N.Y. 11105-2017 • Tel (718) 956-8900

PART NAME: TURRET TERMINAL BOARD

MATERIAL: .093 TH'K XP PHENOLIC

FINISH: AS NOTED

DRN BY: BOONE DATE: 2.24.82

APP'D: LN SCALE: 1X

TOLERANCES INCH [MM]
 DECIMAL ±.005 [±]
 ANGULAR ± 1°
 UNLESS OTHERWISE SPECIFIED

CODE: C

DWG NO.: 604-1 - 604-10

DATE	DESCRIPTION	REV.
6.16.05	CHANGE AS PER ECN 05-039	B
12.2.98	CHANGE AS PER ECR 98-087	A