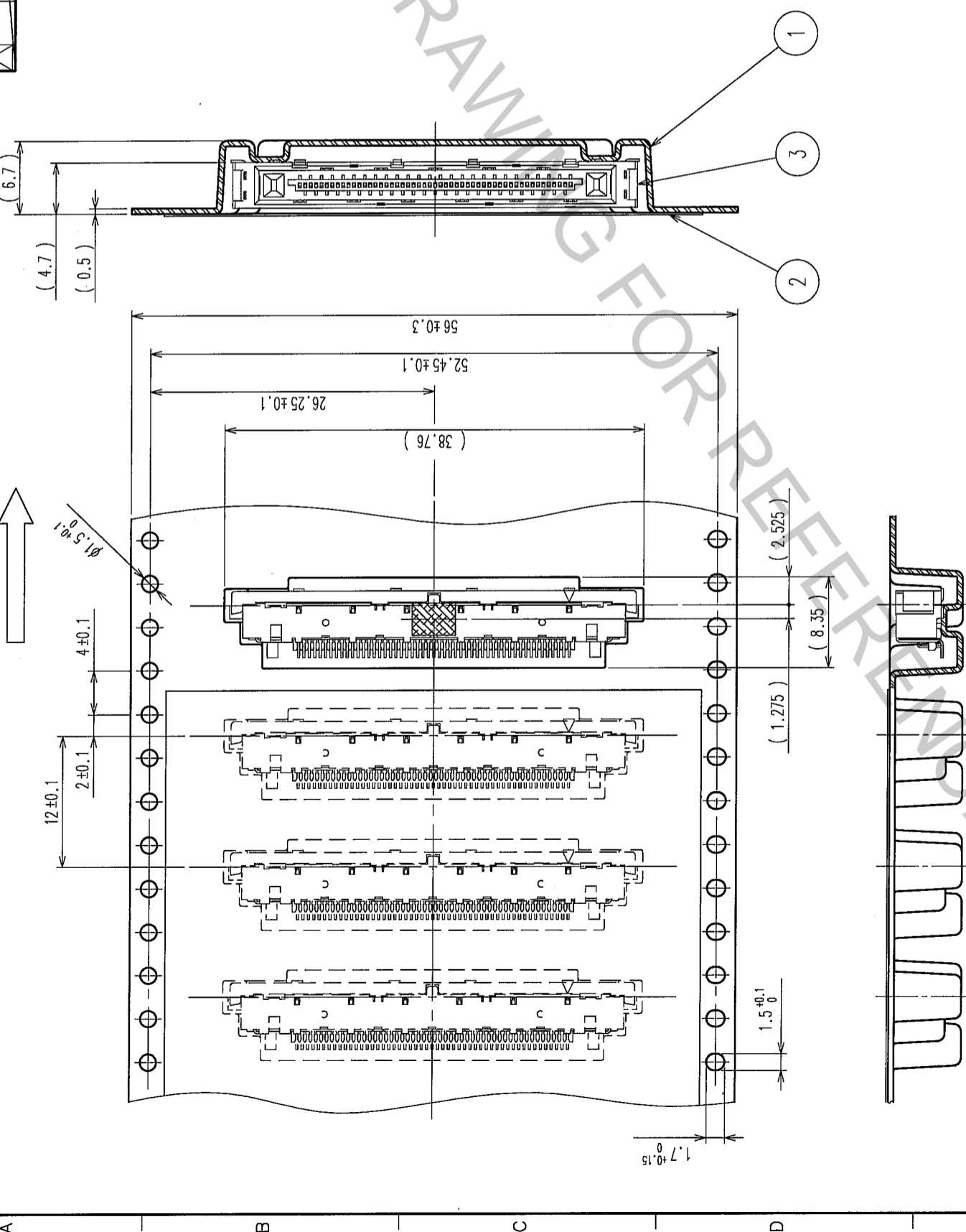
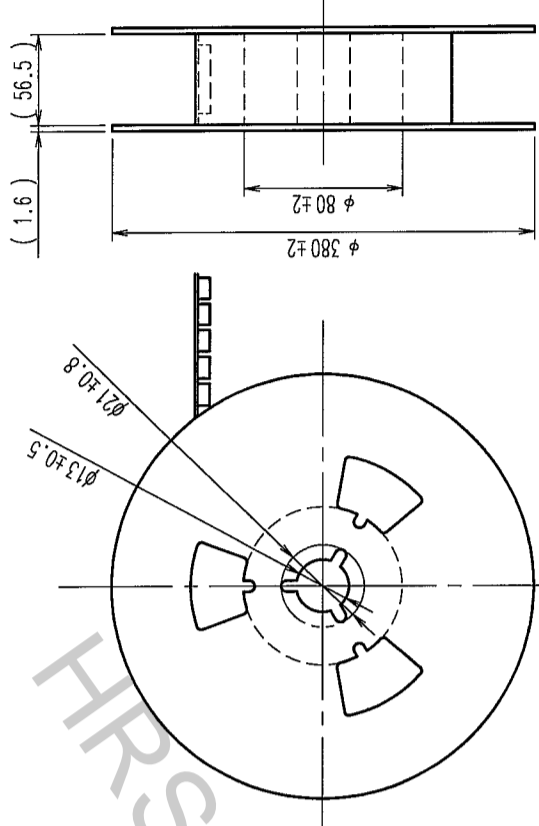


NO.	DESCRIPTION OF REVISIONS	BY	CHKD	DATE	COUNT	DESCRIPTION OF REVISIONS	BY	CHKD	DATE
1									
2									
3									

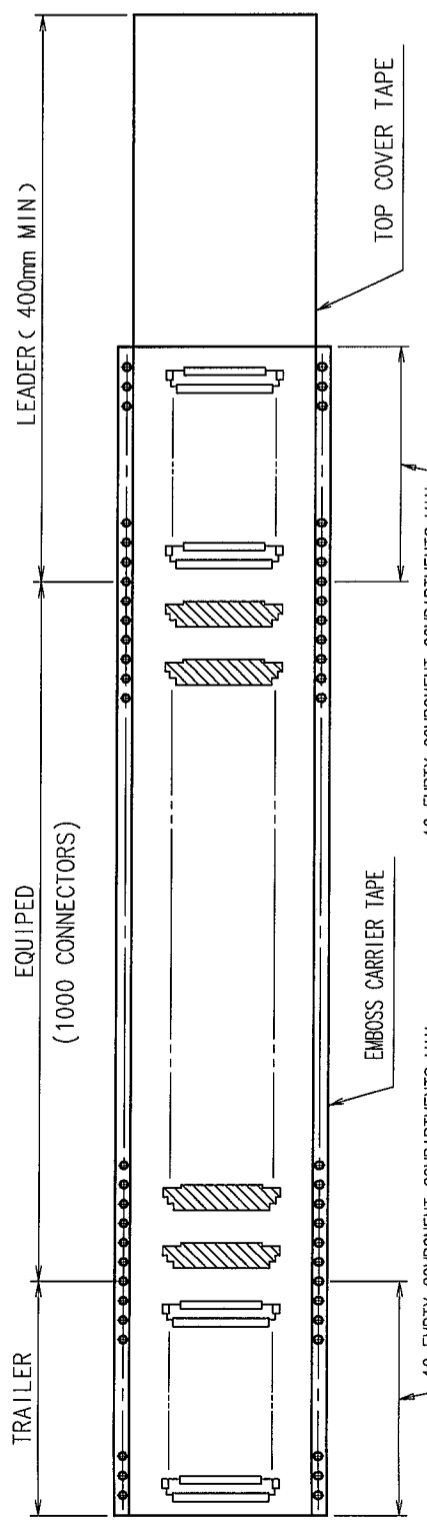
THE DIRECTION OF PULLING OUT



REELED DIMENSION (FREE)



NOTE 1. 1 REEL : 1000 CONNECTORS.



CONNECTOR		TOP COVER TAPE		FINISH, REMARKS		APPROVED		RELEASED	
NO.	MATERIAL	EMBOSS CARRIER TAPE	FINISH, REMARKS	NO.	MATERIAL	DESIGNED	CHECKED	APPROVED	RELEASED
1	PS	3		2	POLYESTER				
NO.	MATERIAL	EMBOSS CARRIER TAPE	FINISH, REMARKS	NO.	MATERIAL	DESIGNED	CHECKED	APPROVED	RELEASED
CODE NO. (OLD)	CL					DRAWN			
						K. SHIBUYA	H. YAMAGUCHI	H. OKAWA	
						05.08.04	05.08.04	05.08.05	
DRAWING NO.		PART NO.		CODE NO.					
EDC3-155800		FX15S-51S-0.5SH		CL575-2303-7					
SCALE		UNITS		mm					
2 : 1		HIROSE ELECTRIC CO., LTD							