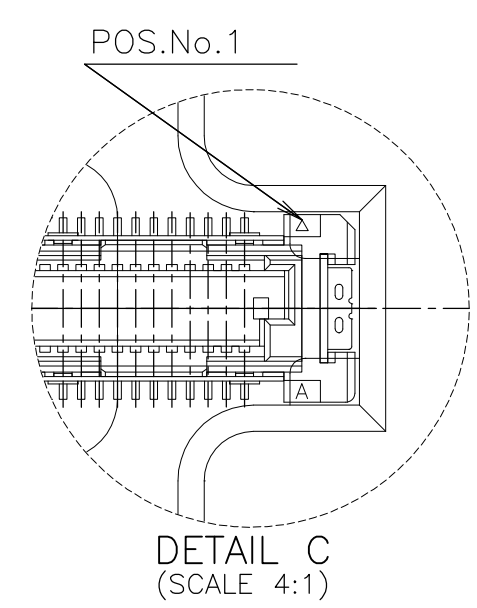
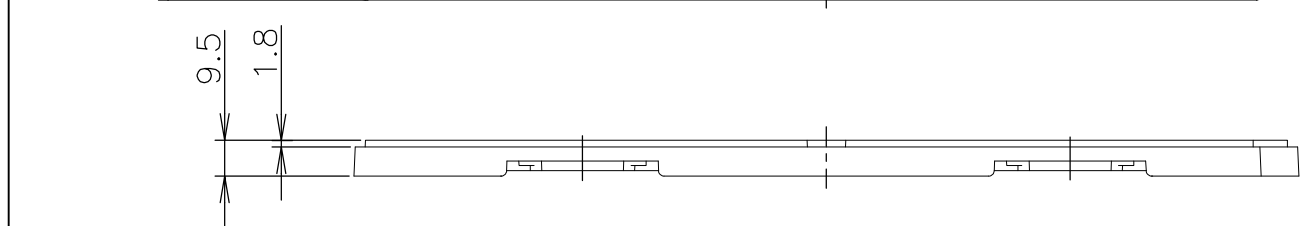
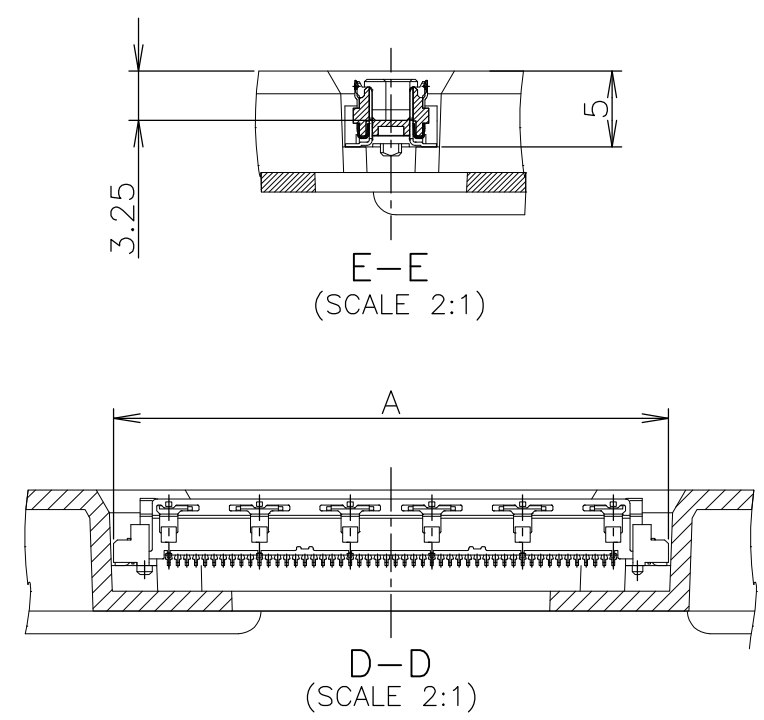
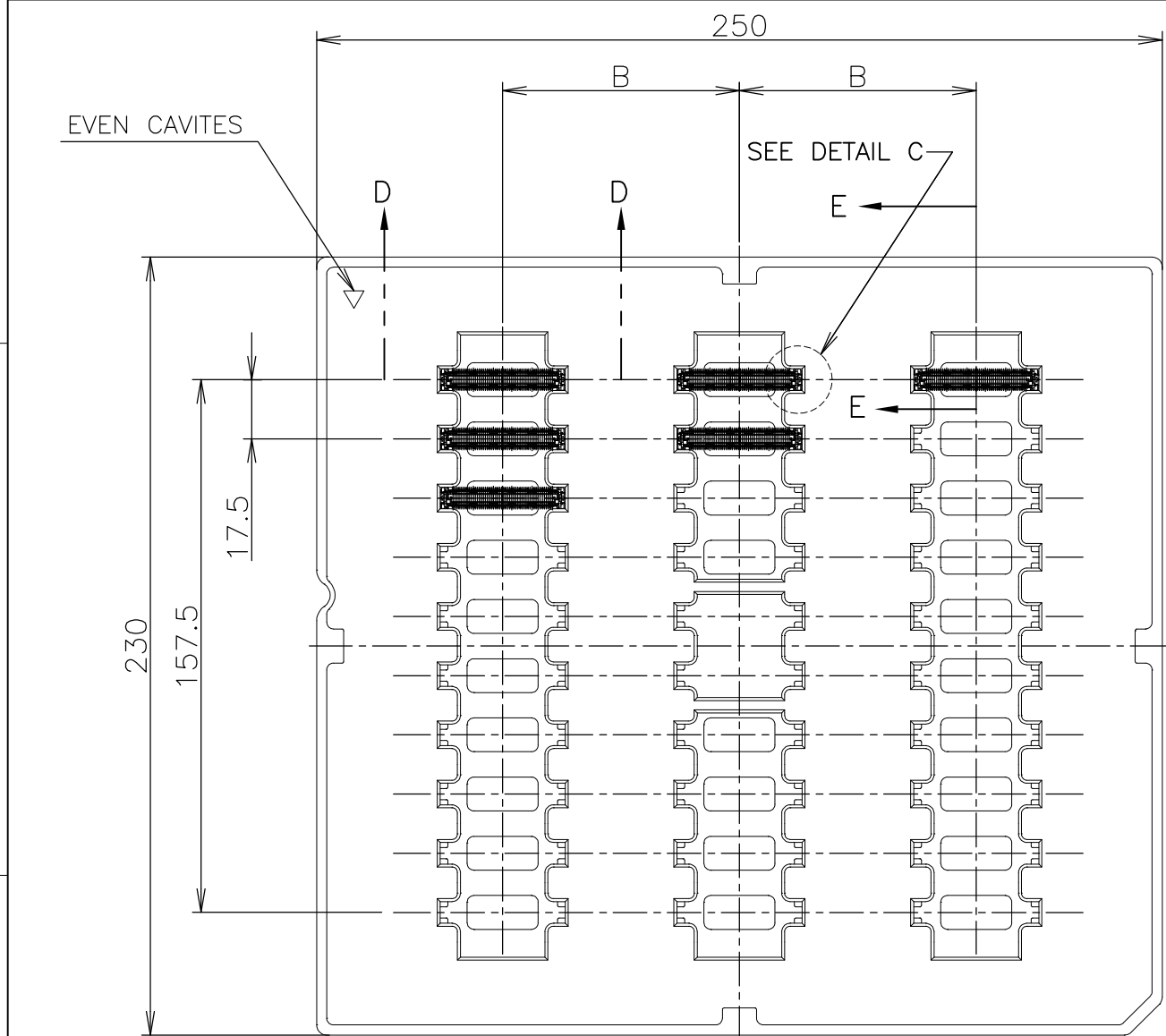


THIS DRAWING IS UNPUBLISHED. RELEASED FOR PUBLICATION AUG, 1996.  
 © COPYRIGHT 1996 By - ALL RIGHTS RESERVED.

| LOC | DIST | REVISIONS |         |               | DATE      | DWN | APVD |
|-----|------|-----------|---------|---------------|-----------|-----|------|
| J   |      | P         | LTR     | DESCRIPTION   |           |     |      |
|     |      | A1        | REVISED | ECR-15-012060 | 14SEP2015 | I.T | W.H  |



| SEALANT       | TOOLING STATUS | ROW | QTY | B  | A    | POS. | TRAY P/N   | PART NO.    |
|---------------|----------------|-----|-----|----|------|------|------------|-------------|
| NOT AVAILABLE |                | 3   | 30  | 70 | 54.7 | 160  | 9-912067-2 | 1-5353471-1 |
| NOT AVAILABLE |                |     |     |    | 48.7 | 140  | 9-912066-2 | 1- -0       |
|               |                |     |     |    | 42.7 | 120  | 9-912067-1 | -9          |
|               |                |     |     |    | 36.7 | 100  | 9- -0      | -8          |
|               |                | 3   | 30  | 70 | 33.7 | 90   | 8- -9      | -7          |
|               |                | 5   | 50  | 43 | 30.7 | 80   | 8- -8      | -6          |
|               |                |     |     |    | 27.7 | 70   | 8- -7      | -5          |
|               |                |     |     |    | 24.7 | 60   | 8- -6      | -4          |
|               |                |     |     |    | 21.7 | 50   | 8- -5      | -3          |
|               |                |     |     |    | 18.7 | 40   | 8- -4      | -2          |
| NOT AVAILABLE |                | 5   | 50  | 43 | 15.7 | 30   | 8-912067-3 | 5353471-1   |

GENERAL TOLERANCE  
 一般公差  
 10 ≥ ±0.2  
 30 ≥ >10: ±0.25  
 100 ≥ >30: ±0.3  
 ANGLES: ±3°

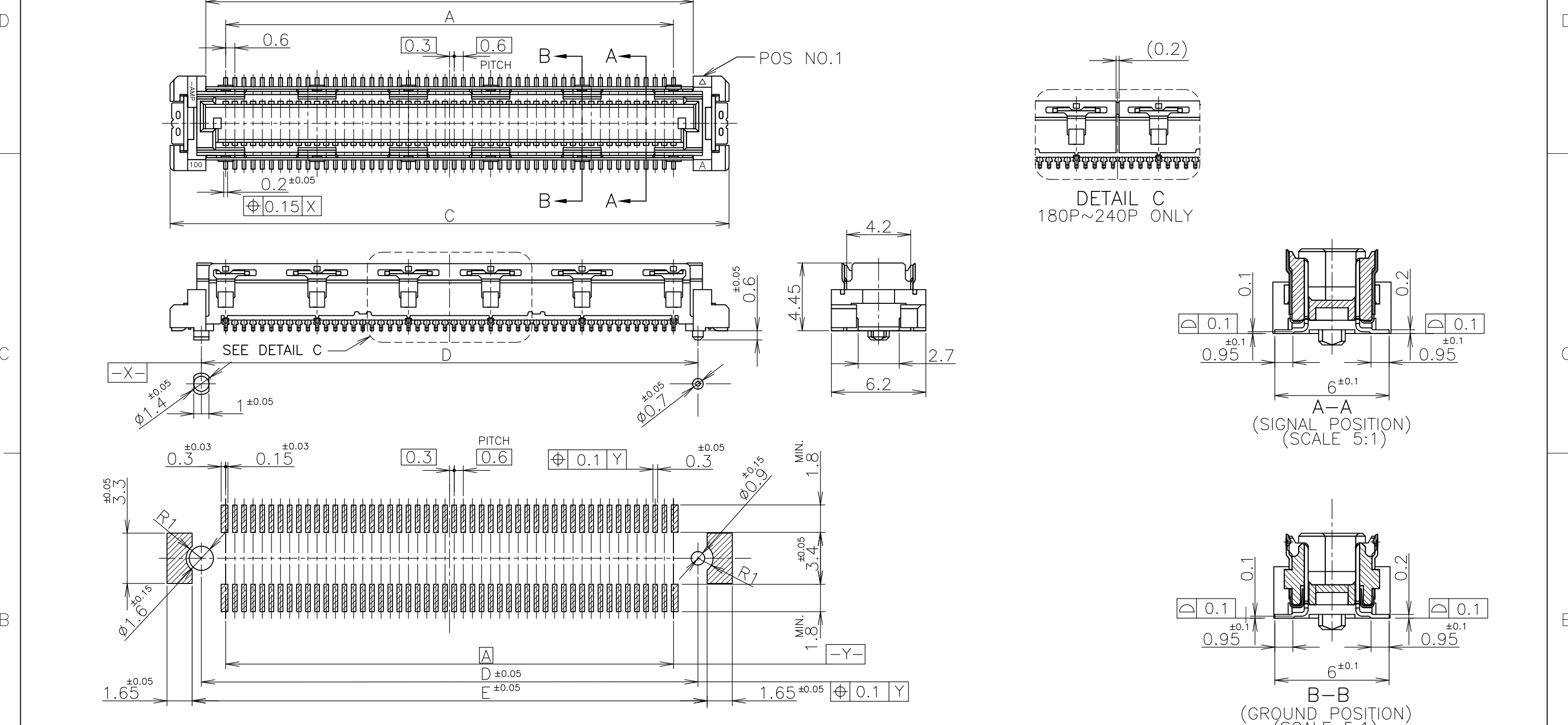
THIS DRAWING IS A CONTROLLED DOCUMENT.

|                            |   |                              |   |
|----------------------------|---|------------------------------|---|
| DIMENSIONS:<br>单位: 耗<br>mm | TOLERANCES UNLESS OTHERWISE SPECIFIED:<br>一般公差                              | DWN<br>HAWKING HE<br>14DEC04 | <br>TE Connectivity<br>HARD TRAY ASSY<br>FH 0.6BTB CONNECTOR<br>PLUG 5H W/G-PLATE |
|                            | 0 PLC ± -<br>1 PLC ± -<br>2 PLC ± -<br>3 PLC ± -<br>4 PLC ± -<br>ANGLES ± - | CHK<br>STEVEN YAO<br>14DEC04 |   |
|                            |   | APVD<br>I.ENOMOTO<br>14DEC04 |   |
| MATERIAL<br>材料             | FINISH<br>仕上  | NAME<br>名称<br>I.ENOMOTO      |   |

|  |                  |                    |                               |                 |
|--|------------------|--------------------|-------------------------------|-----------------|
| PRODUCT SPEC<br>製品規格<br>108-60047      | SIZE<br>A3       | CAGE CODE<br>00779 | DRAWING NO<br>番号<br>G-5353471 | RESTRICTED TO   |
| APPLICATION SPEC<br>取付適用規格<br>114-5255 | CUSTOMER DRAWING |                    | SCALE<br>尺度<br>1:2            | SHEET<br>1 OF 3 |
| WEIGHT                                 |                  |                    | REV<br>A1                     |                 |

THIS DRAWING IS UNPUBLISHED. RELEASED FOR PUBLICATION AUG, 1996.  
 © COPYRIGHT 1996 By - ALL RIGHTS RESERVED.

| LOC | DIST | REVISIONS |     |             |      |     |      |
|-----|------|-----------|-----|-------------|------|-----|------|
| J   |      | P         | LTR | DESCRIPTION | DATE | DWN | APVD |
|     |      | -         |     | SEE SHEET 1 | -    | -   | -    |



REFERENCE P.C.BOARD LAYOUT

|                |      |      |      |    |      |     |
|----------------|------|------|------|----|------|-----|
| AVAILABLE      | 51.8 | 50.6 | 54.7 | 50 | 47.4 | 160 |
| NOT AVAILABLE  | 45.8 | 44.6 | 48.7 | 44 | 41.4 | 140 |
|                | 39.8 | 38.6 | 42.7 | 38 | 35.4 | 120 |
|                | 33.8 | 32.6 | 36.7 | 32 | 29.4 | 100 |
|                | 30.8 | 29.6 | 33.7 | 29 | 26.4 | 90  |
|                | 27.8 | 26.6 | 30.7 | 26 | 23.4 | 80  |
|                | 24.8 | 23.6 | 27.7 | 23 | 20.4 | 70  |
|                | 21.8 | 20.6 | 24.7 | 20 | 17.4 | 60  |
|                | 19.8 | 17.6 | 21.7 | 17 | 14.4 | 50  |
|                | 15.8 | 14.6 | 18.7 | 14 | 11.4 | 40  |
| NOT AVAILABLE  | 12.8 | 11.6 | 15.7 | 11 | 8.4  | 30  |
| TOOLING STATUS | E    | D    | C    | B  | A    | POS |

GENERAL TOLERANCE  
 一般公差  
 10 ≥ ±0.2  
 30 ≥ >10: ±0.25  
 100 ≥ >30: ±0.3  
 ANGLES: ±3°

THIS DRAWING IS A CONTROLLED DOCUMENT.

DIMENSIONS: 単位: 耗 mm

TOLERANCES UNLESS OTHERWISE SPECIFIED: 一般公差

0 PLC ± -  
 1 PLC ± -  
 2 PLC ± -  
 3 PLC ± -  
 4 PLC ± -  
 ANGLES ± -  
 FINISH 仕上 ± -

MATERIAL 材料

DWN  
 CHK  
 APVD  
 PRODUCT SPEC 製品規格  
 APPLICATION SPEC 取付適用規格  
 WEIGHT

NAME 名称  
 HARD TRAY ASSY  
 FH 0.6BTB CONNECTOR  
 PLUG 5H W/G-PLATE

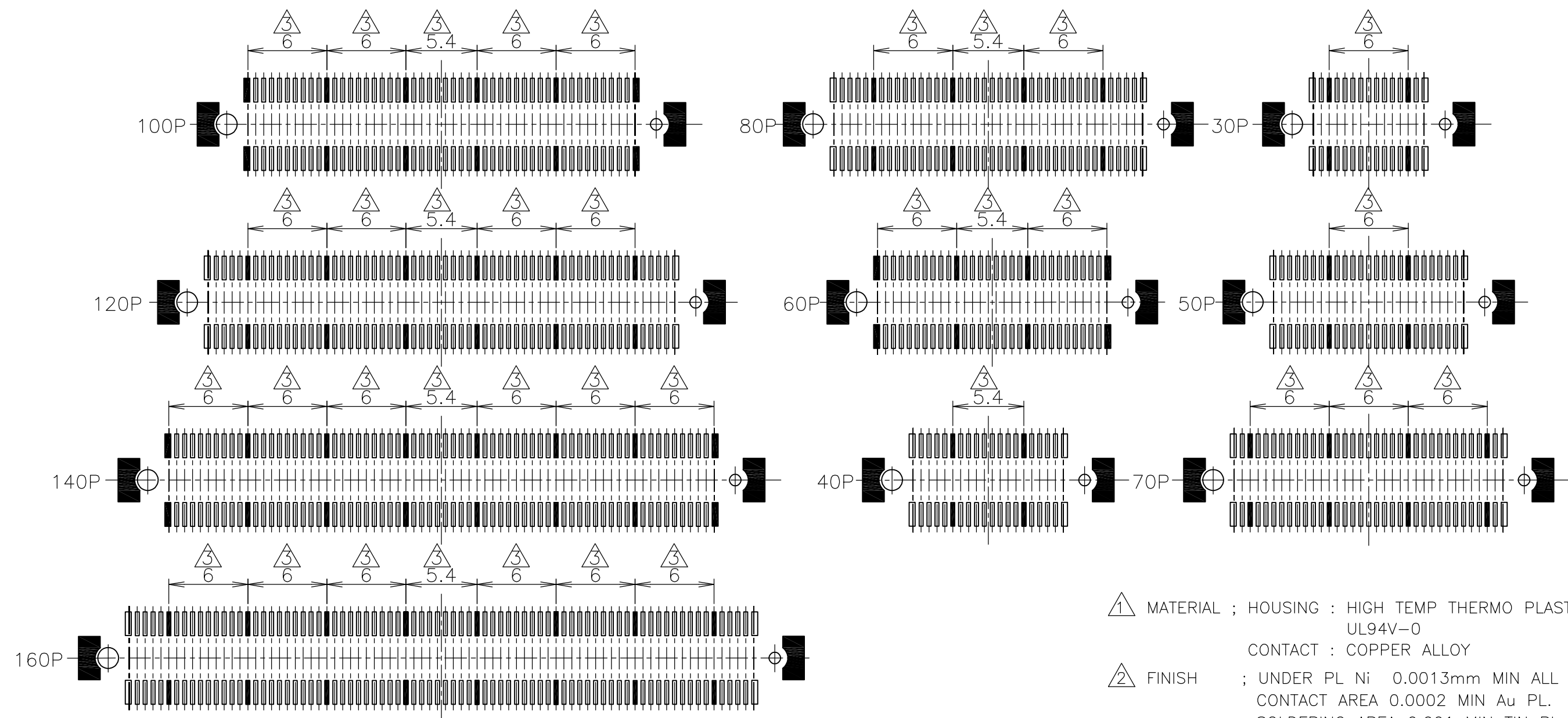
SIZE A3  
 CAGE CODE 00779  
 DRAWING NO. 番号 C-5353471  
 RESTRICTED TO

CUSTOMER DRAWING  
 SCALE 尺度 4:1  
 SHEET 2 OF 3  
 REV A1

**STE** TE Connectivity

THIS DRAWING IS UNPUBLISHED.      RELEASED FOR PUBLICATION      AUG, 1996.  
 © COPYRIGHT 1996 By -      ALL RIGHTS RESERVED.

|          |           |                 |  |   |      |     |      |
|----------|-----------|-----------------|--|---|------|-----|------|
| LOC<br>J | DIST<br>/ | REVISIONS<br>變更 |  |   | DATE | DWN | APVD |
| P        | LTR       | DESCRIPTION     |  |   |      |     |      |
|          |           | SEE SHEET 1     |  | - | -    | -   |      |



- ① MATERIAL ; HOUSING : HIGH TEMP THERMO PLASTIC UL94V-0  
CONTACT : COPPER ALLOY
- ② FINISH ; UNDER PL Ni 0.0013mm MIN ALL OVER.  
CONTACT AREA 0.0002 MIN Au PL.  
SOLDERING AREA 0.001 MIN TIN PL.
- ③ ■ THIS POSITION IS GROUND CIRCUIT.

GENERAL TOLERANCE  
一般公差

10 ≥ : ±0.2  
 30 ≥ : >10: ±0.25  
 100 ≥ : >30: ±0.3  
 ANGLES: ±3°

|   |  |                            |  |             |                  |               |
|---|--|----------------------------|--|-------------|------------------|---------------|
| THIS DRAWING IS A CONTROLLED DOCUMENT.                                      |  | DWN                        | <b>STE</b> TE Connectivity                                 |             |                  |               |
| DIMENSIONS:<br>單位: 耗<br>mm  |  | CHK                        |  |             |                  |               |
| TOLERANCES UNLESS OTHERWISE SPECIFIED:<br>一般公差                              |  | APVD                       | NAME<br>名稱   |             |                  |               |
| 0 PLC ± -<br>1 PLC ± -<br>2 PLC ± -<br>3 PLC ± -<br>4 PLC ± -<br>ANGLES ± - |  | PRODUCT SPEC<br>製品規格       | HARD TRAY ASSY<br>FH 0.6BTB CONNECTOR<br>PLUG 5H W/G-PLATE |             |                  |               |
| MATERIAL<br>材料  |  | APPLICATION SPEC<br>取付適用規格 | SIZE   | CAGE CODE   | DRAWING NO<br>番号 | RESTRICTED TO |
| ①   |  | WEIGHT                     | A3   | 00779       | G-5353471        |               |
| FINISH<br>仕上  |  | CUSTOMER DRAWING           |  | SCALE<br>尺度 | SHEET            | REV           |
| ②   |  |                            |  | 3:1         | 3 OF 3           | A1            |