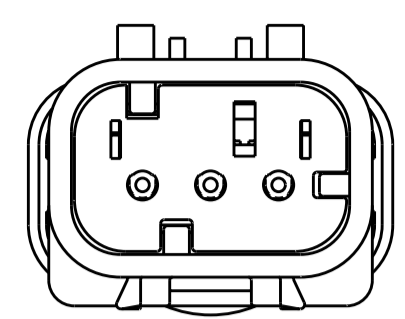
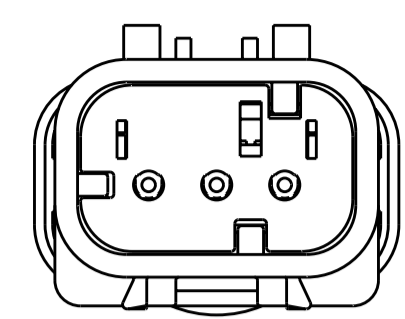


THIS DRAWING IS UNPUBLISHED. RELEASED FOR PUBLICATION
 © COPYRIGHT 20 BY - ALL RIGHTS RESERVED.

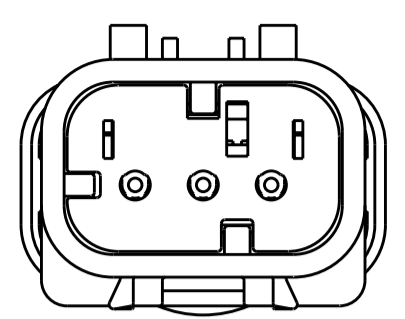
LOC	DIST	REVISIONS					
GE	00	P	LTR	DESCRIPTION	DATE	DWN	APVD
		B4		REVISED PER ECO-11-005030	12MAR2011	RK	HMR



776535-2
SCALE 2:1
KEY B

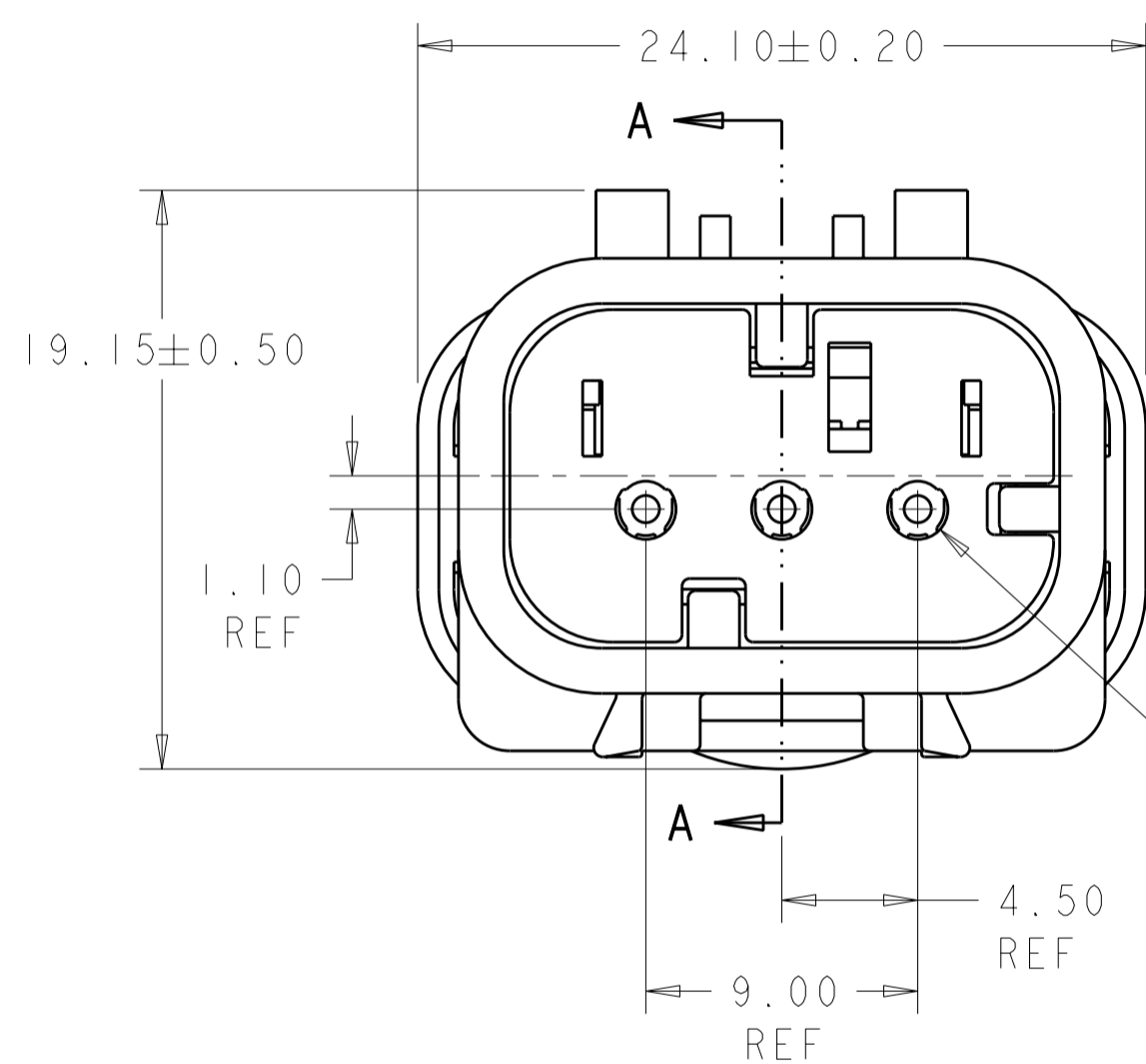


776535-3
SCALE 2:1
KEY C

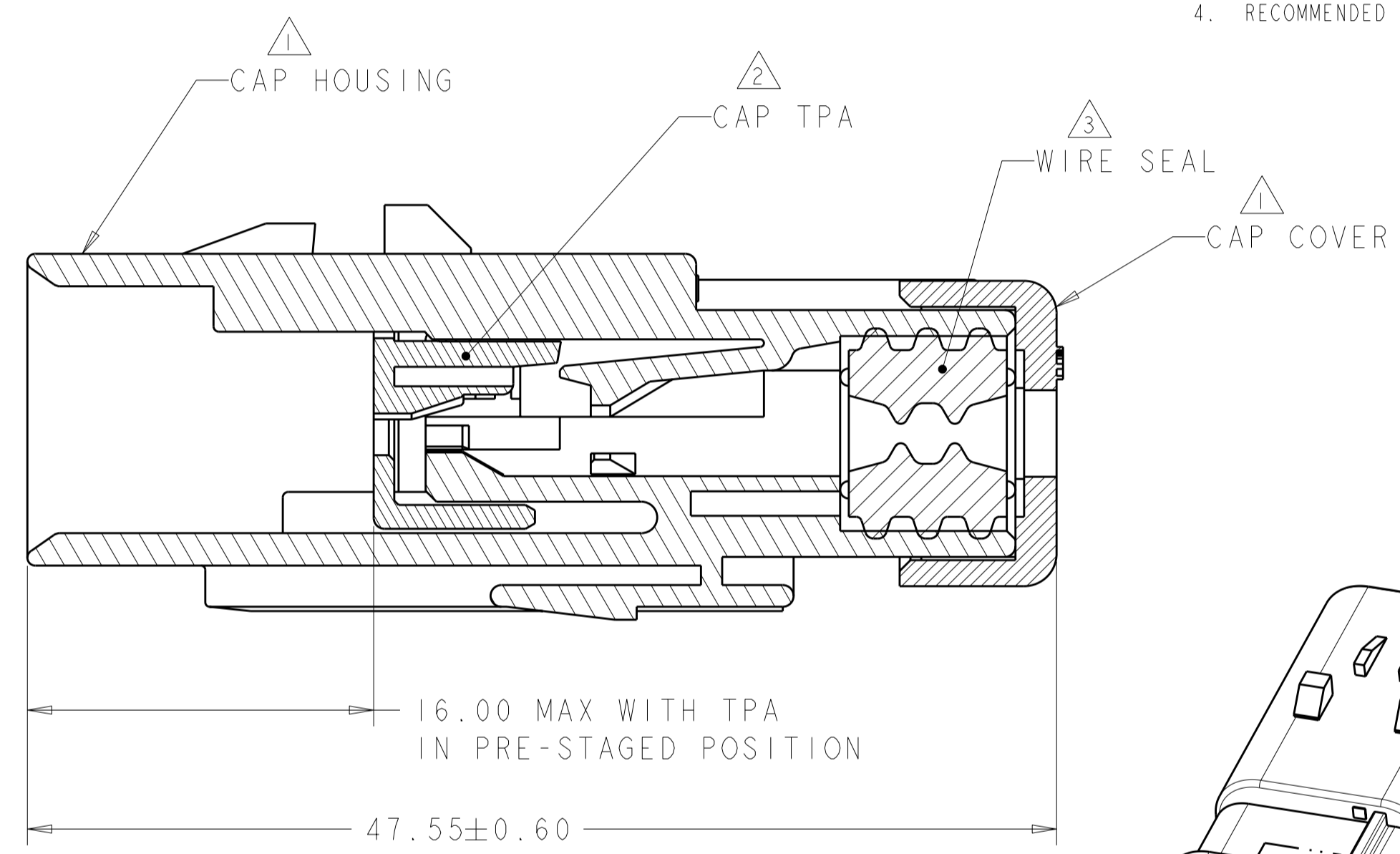


776535-4
SCALE 2:1
KEY D

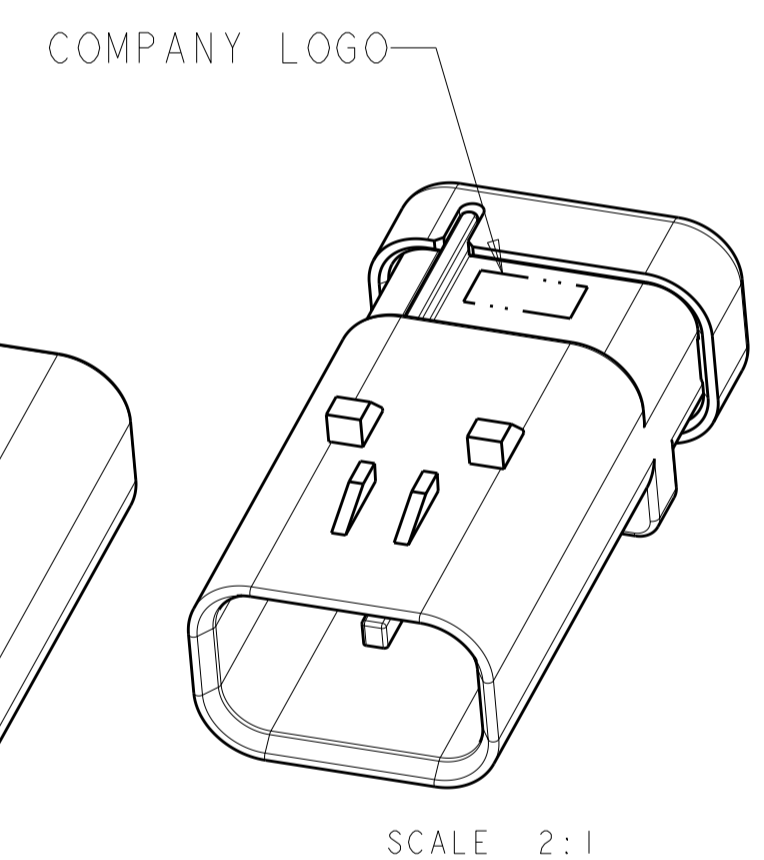
- 1 MATERIAL: 15% GLASS FILLED THERMOPLASTIC
COLOR: BLACK
- 2 MATERIAL: 15% GLASS FILLED THERMOPLASTIC
COLOR: (SEE TABLE)
- 3 MATERIAL: SILICONE
COLOR: ORANGE
- 4. RECOMMENDED WIRE DIAMETER RANGE IS 1.30 TO 2.54mm



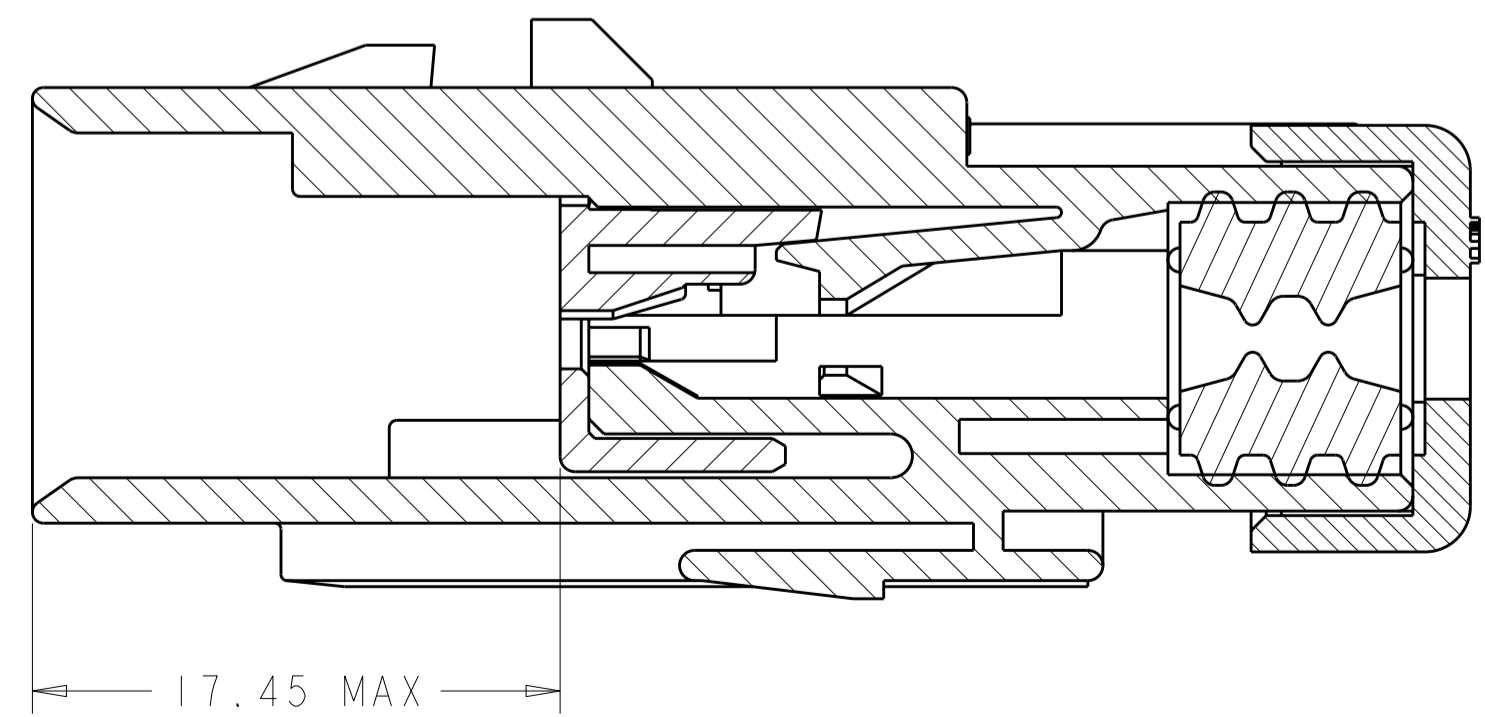
776535-1 SHOWN
KEY A



SECTION A-A



SCALE 2:1



SECTION A-A
WITH TPA IN CLOSED POSITION

D	GREEN	776535-4
C	YELLOW	776535-3
B	GRAY	776535-2
A	RED	776535-1
KEY	TPA COLOR	PART NUMBER

THIS DRAWING IS A CONTROLLED DOCUMENT.

DIMENSIONS:	TOLERANCES UNLESS OTHERWISE SPECIFIED:	DWN Y. PETERSON 22FEB00	TE Connectivity
mm	0 PLC ± 1 PLC ± 2 PLC ± 3 PLC ± 4 PLC ±	CHK R. GREINER IDECOT	
	ANGLES ±	APVD M. TRULLI IDECOT	NAME
	FINISH	PRODUCT SPEC	CAP ASSEMBLY, 3 POSITION, SINGLE ROW, REDUCED DIA WIRE SEAL AMPSEAL 16
MATERIAL		APPLICATION SPEC	SIZE CAGE CODE DRAWING NO
		WEIGHT	A200779C-776535
		CUSTOMER DRAWING	RESTRICTED TO
		SCALE 4:1	SHEET 1 OF 1 REV B4