



MICROCHIP

**MTD6508
3-Phase BLDC
Sensorless Fan Controller
Demonstration Daughter Board
User's Guide**

Note the following details of the code protection feature on Microchip devices:

- Microchip products meet the specification contained in their particular Microchip Data Sheet.
- Microchip believes that its family of products is one of the most secure families of its kind on the market today, when used in the intended manner and under normal conditions.
- There are dishonest and possibly illegal methods used to breach the code protection feature. All of these methods, to our knowledge, require using the Microchip products in a manner outside the operating specifications contained in Microchip's Data Sheets. Most likely, the person doing so is engaged in theft of intellectual property.
- Microchip is willing to work with the customer who is concerned about the integrity of their code.
- Neither Microchip nor any other semiconductor manufacturer can guarantee the security of their code. Code protection does not mean that we are guaranteeing the product as "unbreakable."

Code protection is constantly evolving. We at Microchip are committed to continuously improving the code protection features of our products. Attempts to break Microchip's code protection feature may be a violation of the Digital Millennium Copyright Act. If such acts allow unauthorized access to your software or other copyrighted work, you may have a right to sue for relief under that Act.

Information contained in this publication regarding device applications and the like is provided only for your convenience and may be superseded by updates. It is your responsibility to ensure that your application meets with your specifications. MICROCHIP MAKES NO REPRESENTATIONS OR WARRANTIES OF ANY KIND WHETHER EXPRESS OR IMPLIED, WRITTEN OR ORAL, STATUTORY OR OTHERWISE, RELATED TO THE INFORMATION, INCLUDING BUT NOT LIMITED TO ITS CONDITION, QUALITY, PERFORMANCE, MERCHANTABILITY OR FITNESS FOR PURPOSE. Microchip disclaims all liability arising from this information and its use. Use of Microchip devices in life support and/or safety applications is entirely at the buyer's risk, and the buyer agrees to defend, indemnify and hold harmless Microchip from any and all damages, claims, suits, or expenses resulting from such use. No licenses are conveyed, implicitly or otherwise, under any Microchip intellectual property rights unless otherwise stated.

Microchip received ISO/TS-16949:2009 certification for its worldwide headquarters, design and wafer fabrication facilities in Chandler and Tempe, Arizona; Gresham, Oregon and design centers in California and India. The Company's quality system processes and procedures are for its PIC[®] MCUs and dsPIC[®] DSCs, KEELOQ[®] code hopping devices, Serial EEPROMs, microperipherals, nonvolatile memory and analog products. In addition, Microchip's quality system for the design and manufacture of development systems is ISO 9001:2000 certified.

**QUALITY MANAGEMENT SYSTEM
CERTIFIED BY DNV
= ISO/TS 16949 =**

Trademarks

The Microchip name and logo, the Microchip logo, AnyRate, dsPIC, FlashFlex, flexPWR, Heldo, JukeBlox, KeeLoq, KeeLoq logo, Klear, LANCheck, LINK MD, MediaLB, MOST, MOST logo, MPLAB, OptoLyzer, PIC, PICSTART, PIC32 logo, RightTouch, SpyNIC, SST, SST Logo, SuperFlash and UNI/O are registered trademarks of Microchip Technology Incorporated in the U.S.A. and other countries.

ClockWorks, The Embedded Control Solutions Company, ETHERSYNCH, Hyper Speed Control, HyperLight Load, IntelliMOS, mTouch, Precision Edge, and QUIET-WIRE are registered trademarks of Microchip Technology Incorporated in the U.S.A.

Analog-for-the-Digital Age, Any Capacitor, AnyIn, AnyOut, BodyCom, chipKIT, chipKIT logo, CodeGuard, dsPICDEM, dsPICDEM.net, Dynamic Average Matching, DAM, ECAN, EtherGREEN, In-Circuit Serial Programming, ICSP, Inter-Chip Connectivity, JitterBlocker, KlearNet, KlearNet logo, MiWi, motorBench, MPASM, MPF, MPLAB Certified logo, MPLIB, MPLINK, MultiTRAK, NetDetach, Omniscient Code Generation, PICDEM, PICDEM.net, PICkit, PICtail, PureSilicon, RightTouch logo, REAL ICE, Ripple Blocker, Serial Quad I/O, SQL, SuperSwitcher, SuperSwitcher II, Total Endurance, TSHARC, USBCheck, VariSense, ViewSpan, WiperLock, Wireless DNA, and ZENA are trademarks of Microchip Technology Incorporated in the U.S.A. and other countries.

SQTP is a service mark of Microchip Technology Incorporated in the U.S.A.

Silicon Storage Technology is a registered trademark of Microchip Technology Inc. in other countries.

GestIC is a registered trademarks of Microchip Technology Germany II GmbH & Co. KG, a subsidiary of Microchip Technology Inc., in other countries.

All other trademarks mentioned herein are property of their respective companies.

© 2016, Microchip Technology Incorporated, Printed in the U.S.A., All Rights Reserved.

ISBN: 978-1-5224-0742-3

**Object of Declaration: MTD6508 3-Phase BLDC Sensorless Fan Controller Demonstration
Daughter Board**

EU Declaration of Conformity

Manufacturer: Microchip Technology Inc.
2355 W. Chandler Blvd.
Chandler, Arizona, 85224-6199
USA

This declaration of conformity is issued by the manufacturer.

The development/evaluation tool is designed to be used for research and development in a laboratory environment. This development/evaluation tool is not a Finished Appliance, nor is it intended for incorporation into Finished Appliances that are made commercially available as single functional units to end users under EU EMC Directive 2004/108/EC and as supported by the European Commission's Guide for the EMC Directive 2004/108/EC (8th February 2010).

This development/evaluation tool complies with EU RoHS2 Directive 2011/65/EU.

This development/evaluation tool, when incorporating wireless and radio-telecom functionality, is in compliance with the essential requirement and other relevant provisions of the R&TTE Directive 1999/5/EC and the FCC rules as stated in the declaration of conformity provided in the module datasheet and the module product page available at www.microchip.com.

For information regarding the exclusive, limited warranties applicable to Microchip products, please see Microchip's standard terms and conditions of sale, which are printed on our sales documentation and available at www.microchip.com.

Signed for and on behalf of Microchip Technology Inc. at Chandler, Arizona, USA


Derek Carlson
VP Development Tools

12-Sep-14
Date

NOTES:



MTD6508 3-PHASE BLDC SENSORLESS FAN CONTROLLER DEMONSTRATION DAUGHTER BOARD

Table of Contents

Preface	6
Chapter 1. Product Overview	
1.1 Introduction	9
1.2 MTD6508 Daughter Board Hardware Description	10
1.3 What the MTD6508 Demonstration Board Kit Includes	10
Chapter 2. Installation and Operation	
2.1 Getting Started	11
2.2 Using the MTD6508 Demonstration Board Kit with the MTD6508 Demonstration Board Software GUI	11
Appendix A. Schematics and Layouts	
A.1 Introduction	13
A.2 ADM00631 Board 4x4 16-Lead UQFN – Schematic	14
A.3 ADM00631 Board 4x4 16-Lead UQFN – Top Silk	15
A.4 ADM00631 Board 4x4 16-Lead UQFN – Top Copper and Silk	15
A.5 ADM00631 Board 4x4 16-Lead UQFN – Bottom Copper and Silk	16
Appendix B. Bill of Materials (BOM)	17
Worldwide Sales and Service	18



MTD6508 3-PHASE BLDC SENSORLESS FAN CONTROLLER DEMONSTRATION DAUGHTER BOARD

Preface

NOTICE TO CUSTOMERS

All documentation becomes dated, and this manual is no exception. Microchip tools and documentation are constantly evolving to meet customer needs, so some actual dialogs and/or tool descriptions may differ from those in this document. Please refer to our web site (www.microchip.com) to obtain the latest documentation available.

Documents are identified with a “DS” number. This number is located on the bottom of each page, in front of the page number. The numbering convention for the DS number is “DSXXXXXXXXA”, where “XXXXXXXX” is the document number and “A” is the revision level of the document.

For the most up-to-date information on development tools, see the MPLAB® IDE online help. Select the Help menu, and then Topics to open a list of available online help files.

INTRODUCTION

This chapter contains general information that will be useful to know before using the MTD6508 3-Phase BLDC Sensorless Fan Controller Demonstration Daughter Board. Items discussed in this chapter include:

- Document Layout
- Conventions Used in this Guide
- Recommended Reading
- The Microchip Web Site
- Customer Support
- Document Revision History

DOCUMENT LAYOUT

This document describes how to use the MTD6508 3-Phase BLDC Sensorless Fan Controller Demonstration Daughter Board as a development tool to emulate and debug firmware on a target board. The manual layout is as follows:

- **Chapter 1. “Product Overview”** – Important information about the MTD6508 3-Phase BLDC Sensorless Fan Controller Demonstration Daughter Board.
- **Chapter 2. “Installation and Operation”** – Includes instructions on how to get started with the MTD6508 3-Phase BLDC Sensorless Fan Controller Demonstration Daughter Board.
- **Appendix A. “Schematics and Layouts”** – Shows the schematic and layout diagrams for the MTD6508 3-Phase BLDC Sensorless Fan Controller Demonstration Daughter Board.
- **Appendix B. “Bill of Materials (BOM)”** – Lists the parts used to build the MTD6508 3-Phase BLDC Sensorless Fan Controller Demonstration Daughter Board.

CONVENTIONS USED IN THIS GUIDE

This manual uses the following documentation conventions:

DOCUMENTATION CONVENTIONS

Description	Represents	Examples
Arial font:		
Italic characters	Referenced books	<i>MPLAB[®] IDE User's Guide</i>
	Emphasized text	...is the <i>only</i> compiler...
Initial caps	A window	the Output window
	A dialog	the Settings dialog
	A menu selection	select Enable Programmer
Quotes	A field name in a window or dialog	"Save project before build"
Underlined, italic text with right angle bracket	A menu path	<u><i>File>Save</i></u>
Bold characters	A dialog button	Click OK
	A tab	Click the Power tab
N'Rnnnn	A number in verilog format, where N is the total number of digits, R is the radix and n is a digit.	4'b0010, 2'hF1
Text in angle brackets < >	A key on the keyboard	Press <Enter>, <F1>
Courier New font:		
Plain Courier New	Sample source code	#define START
	Filenames	autoexec.bat
	File paths	c:\mcc18\h
	Keywords	_asm, _endasm, static
	Command-line options	-Opa+, -Opa-
	Bit values	0, 1
	Constants	0xFF, 'A'
Italic Courier New	A variable argument	<i>file.o</i> , where <i>file</i> can be any valid filename
Square brackets []	Optional arguments	mcc18 [options] <i>file</i> [options]
Curly brackets and pipe character: { }	Choice of mutually exclusive arguments; an OR selection	errorlevel {0 1}
Ellipses...	Replaces repeated text	var_name [, var_name...]
	Represents code supplied by user	void main (void) { ... }

RECOMMENDED READING

This user's guide describes how to use the MTD6508 3-Phase BLDC Sensorless Fan Controller Demonstration Daughter Board. Another useful document is listed below. The following Microchip document is available and recommended as a supplemental reference resource.

- **MTD6508 Data Sheet – “3-Phase Sinusoidal Sensorless Brushless Fan Motor Driver” (DS20005359)**

THE MICROCHIP WEB SITE

Microchip provides online support via our web site at www.microchip.com. This web site is used as a means to make files and information easily available to customers. Accessible by using your favorite Internet browser, the web site contains the following information:

- **Product Support** – Data sheets and errata, application notes and sample programs, design resources, user's guides and hardware support documents, latest software releases and archived software
- **General Technical Support** – Frequently Asked Questions (FAQs), technical support requests, online discussion groups, Microchip consultant program member listing
- **Business of Microchip** – Product selector and ordering guides, latest Microchip press releases, listing of seminars and events, listings of Microchip sales offices, distributors and factory representatives

CUSTOMER SUPPORT

Users of Microchip products can receive assistance through several channels:

- Distributor or Representative
- Local Sales Office
- Field Application Engineer (FAE)
- Technical Support

Customers should contact their distributor, representative or field application engineer (FAE) for support. Local sales offices are also available to help customers. A listing of sales offices and locations is included in the back of this document.

Technical support is available through the web site at: <http://www.microchip.com/support>.

DOCUMENT REVISION HISTORY

Revision A (June 2016)

- Initial Version of this Document.

Chapter 1. Product Overview

1.1 INTRODUCTION

In order to easily use the MTD6508 device, Microchip Technology provides a daughter board containing a MTD6508-ADJE/JQ (16-Lead UQFN with EP version of the MTD6508).

The MTD6508 Daughter Board is a small board with the minimal required components to operate with the MTD6508 device.

The MTD6508 Daughter Board has been designed to be used with the ADM00633 motherboard, but can also be used as a stand-alone board using its connectors.

The MTD6508 Daughter Board comes with a kit of three boards.

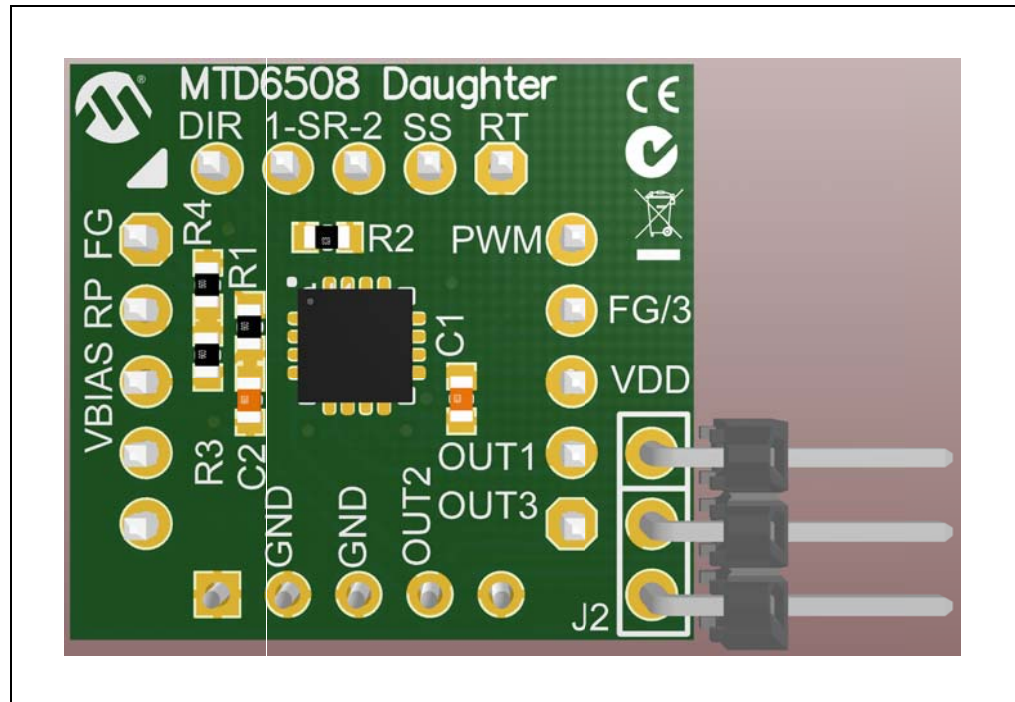


FIGURE 1-1: MTD6508 3-Phase BLDC Sensorless Fan Controller Demonstration Daughter Board (ADM00631) Overview.

1.2 MTD6508 DAUGHTER BOARD HARDWARE DESCRIPTION

These daughter boards have been designed specifically for the MTD6508 Demonstration Board. However, they can also be used independently as stand-alone boards. This section provides a brief description of these boards.

Figure 1-2 provides an overview of the MTD6508 Daughter Board.

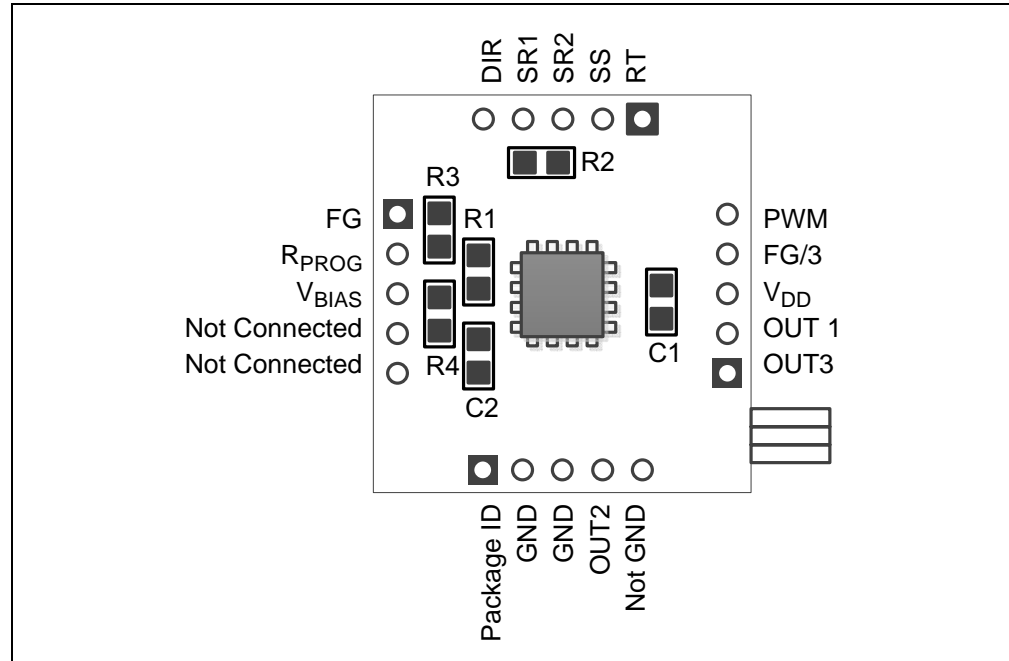


FIGURE 1-2: MTD6508 Daughter Board Overview.

- R1 is the FG pull-up resistor.
- C1 and C2 are respectively the V_{DD} and the V_{BIAS} decoupling capacitors.
- R2 is the Slew Rate Resistor (R_{SR}) and is available only for the MTD6508 Daughter Board with a 4x4 16-Lead UQFN MTD6508 (ADM00631). This resistor is handled by the MTD6508 Demonstration Board via the MTD6508 Demonstration Board Software GUI. This footprint only has to be assembled if the MTD6508 Daughter Board is not plugged into a MTD6508 Demonstration Board. A 4.7K to 47K resistor has to be used.
- R3 allows connecting the R_{PROG} pin to GND. This resistor is handled by the MTD6508 Demonstration Board via the MTD6508 Demonstration Board Software GUI. This footprint only has to be assembled if the R_{PROG} resistor is not set by the MTD6508 Demonstration Board Software GUI. A 0R resistor must be used.
- R4 allows setting the R_{PROG} resistor. This resistor is handled by the MTD6508 Demonstration Board via the MTD6508 Demonstration Board Software GUI. This footprint only has to be assembled if the R_{PROG} resistor is not set by the MTD6508 Demonstration Board Software GUI. A 24K, 3.9K or 0R resistor must be used to connect the R_{PROG} pin to V_{BIAS} .

More details of the schematic are available in [Appendix A. “Schematics and Layouts”](#).

1.3 WHAT THE MTD6508 DEMONSTRATION BOARD KIT INCLUDES

The MTD6508 3-Phase BLDC Sensorless Fan Controller Demonstration Daughter Board Package (ADM00631) includes:

- 3 x MTD6508 Daughter Board with a 4x4 16-Lead UQFN MTD6508
- Important Information Sheet

Chapter 2. Installation and Operation

2.1 GETTING STARTED

In order to use the MTD6508 Daughter Board, follow the steps below:

1. Connect a power supply between V_{DD} and a GND connector on the daughter board (see [Figure 2-1](#)). The device maximum voltage on V_{DD} is 5.5V. The power supply should support up to 800 mA continuous (device current limitation is 750 mA). Please note that it is possible that applications may not need that much current to run at full speed.
2. Connect a 3-phase BLDC fan on Outputs 1, 2 and 3 of the daughter board.
3. Connect a function generator on the PWM pin in order to modulate the input voltage in order to adjust the maximum speed of the fan; this step is optional. If the PWM is left open, the IC will act as if PWM = 100%. This a duty cycle modulation. This signal frequency range is from 1 kHz to 100 kHz. The maximum voltage on this signal is V_{DD} .
4. Connect a frequency meter on the FG pin in order to measure the speed signal; this step is optional. The signal frequency is gives the electrical speed in RPM. This is an open-drain signal, pulled up by the resistor, R1.

Please see the “*MTD6508 Data Sheet*” (DS20005359) for more information on pin specifications.

2.2 USING THE MTD6508 DEMONSTRATION BOARD KIT WITH THE MTD6508 DEMONSTRATION BOARD SOFTWARE GUI

The MTD6508 Demonstration Board Software GUI provides several features, such as V_{DD} control and monitoring, Pulse-Width Modulation (PWM) control, as well as speed and current consumption monitoring. The MTD6508 Demonstration Board Software GUI allows the user to control the following parameters:

- The R_{PROG} resistor value for fan fitting
- The R_{SR} resistor value for output slew rate control for all remaining digital pins

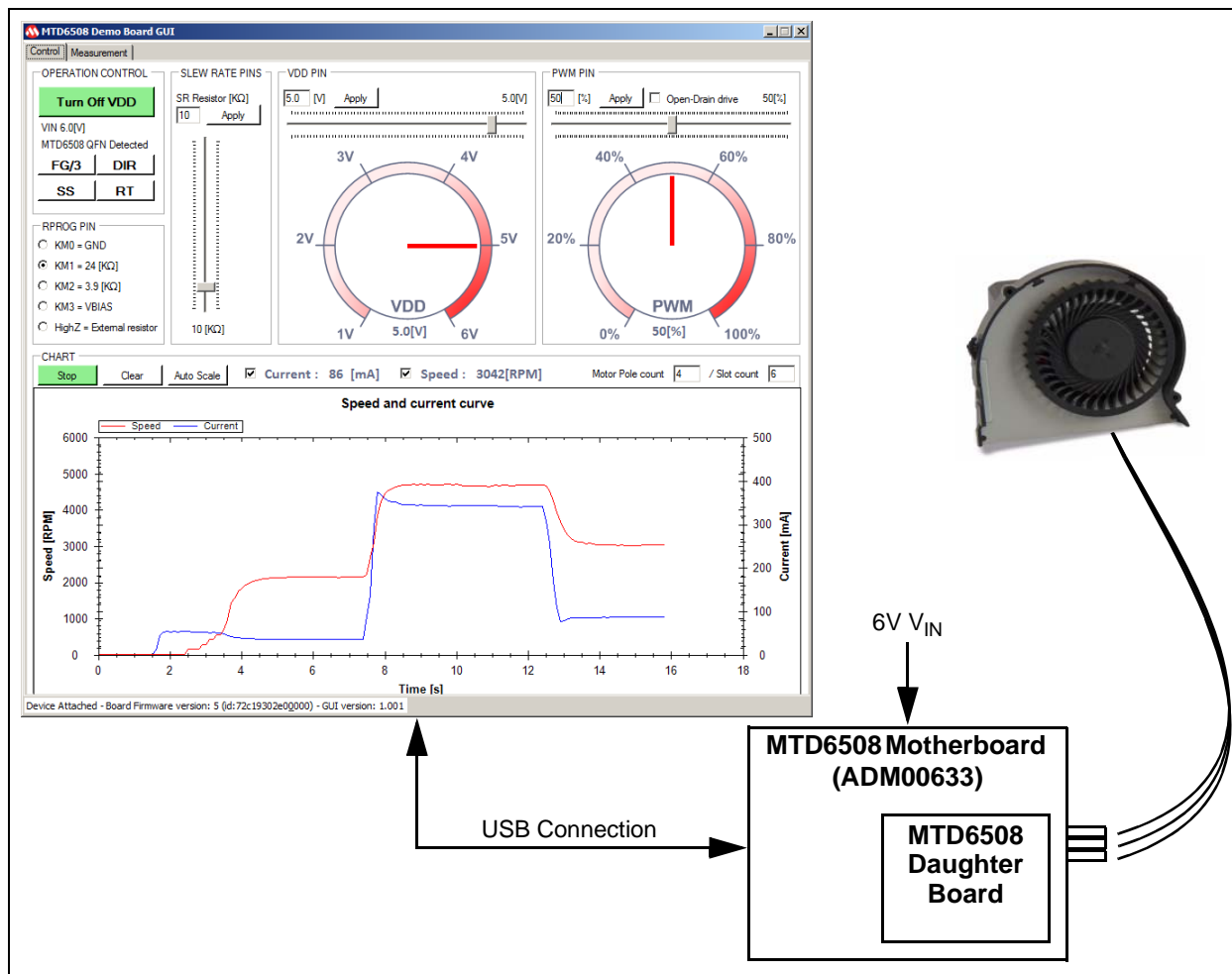


FIGURE 2-1: System Overview.

To use the MTD6508 Demonstration Board Kit with the MTD6508 Demonstration Board Software GUI, these steps should be followed:

1. Plug the MTD6508 Daughter Board into its dedicated socket on the MTD6508 Demonstration Board (see Figure 2-1).
2. To plug in a 3-phase BLDC sensorless fan, choose one of these connections:
 - The 3-phase fan connector on the MTD6508 Demonstration Board (J1)
 - The fan connector on the MTD6508 Daughter Board
3. Connect the power supply to the V_{IN} test point. The required V_{IN} value is $+6V \pm 5\%$. The power supply has to deliver up to 1.0A.
4. Turn on the power switch. The Power LED and the MCU LED should light up.
5. Plug a mini-USB cable attached to the USB port of a computer to the MTD6508 Demonstration Board connector.
6. If required, let the computer identify the MTD6508 Demonstration Board.
7. Restart the computer if necessary.
8. Start the MTD6508 Demonstration Board Software GUI.

Note: The order of these steps is provided as an example and can be changed. It is also possible to start the MTD6508 Demonstration Board Software GUI before enabling the board.



MTD6508 3-PHASE BLDC SENSORLESS FAN CONTROLLER DEMONSTRATION DAUGHTER BOARD

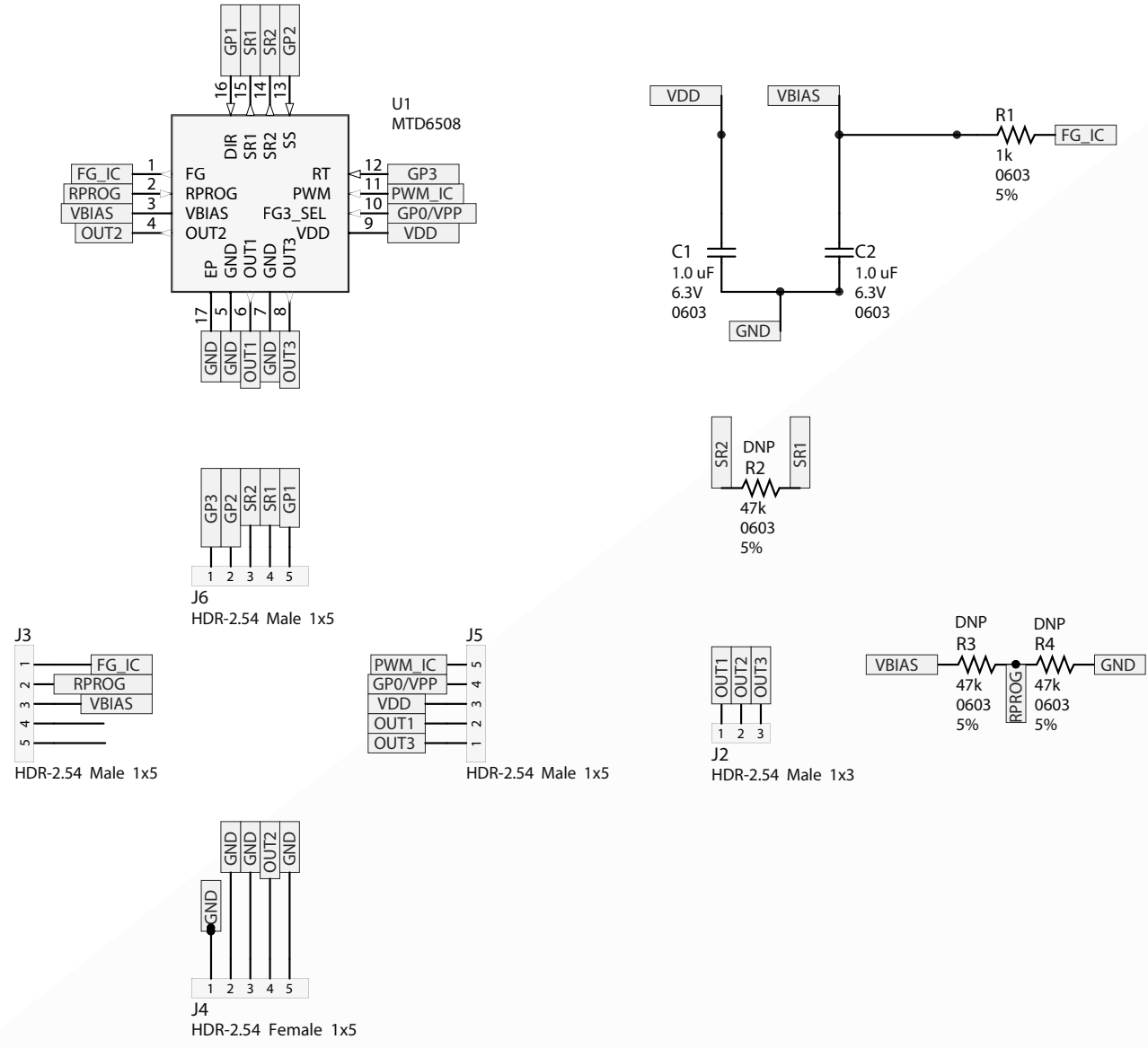
Appendix A. Schematics and Layouts

A.1 INTRODUCTION

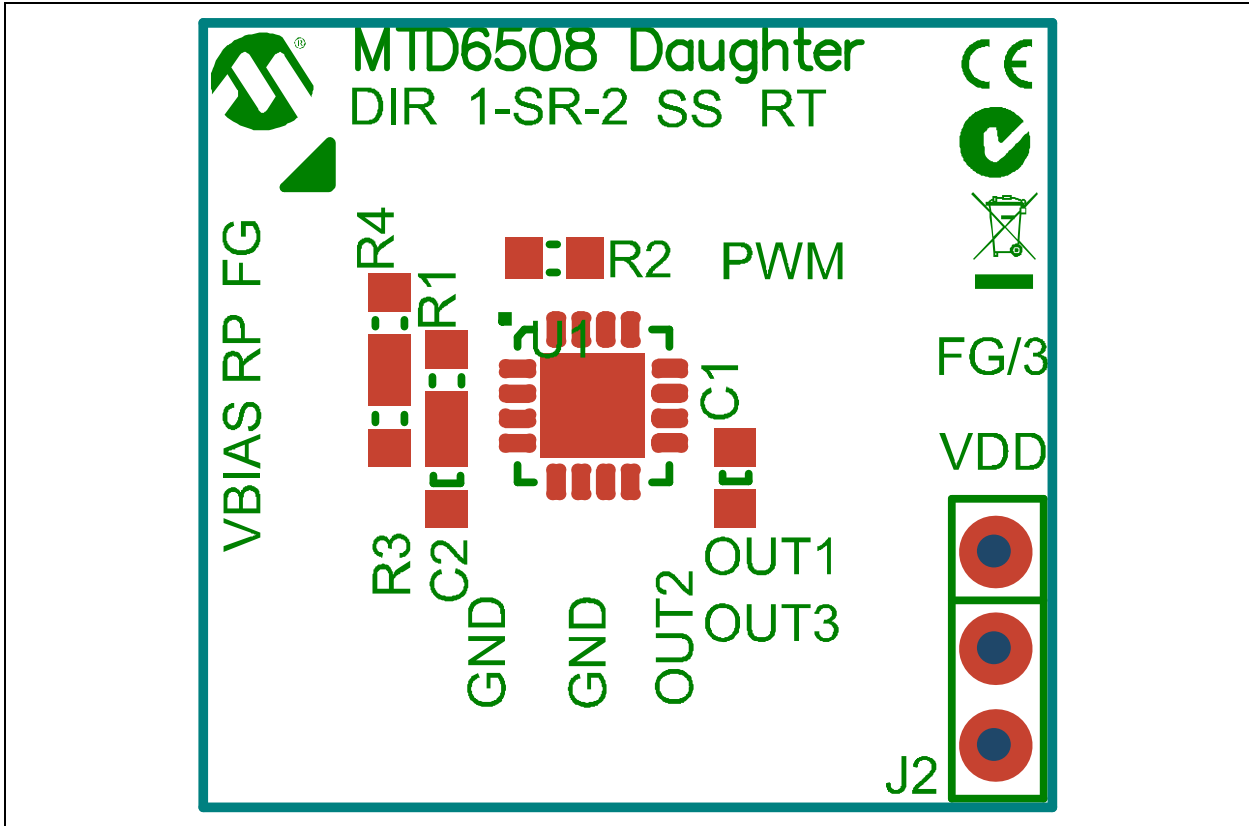
This appendix contains the schematics and layouts for the following devices, which are included in the MTD6508 3-Phase BLDC Sensorless Fan Controller Demonstration Daughter Board (ADM00673):

- MTD6508 Daughter Board 4x4 16-Lead UQFN (ADM00631):
 - ADM00631 Board 4x4 16-Lead UQFN – Schematic
 - ADM00631 Board 4x4 16-Lead UQFN – Top Silk
 - ADM00631 Board 4x4 16-Lead UQFN – Top Copper and Silk
 - ADM00631 Board 4x4 16-Lead UQFN – Bottom Copper and Silk

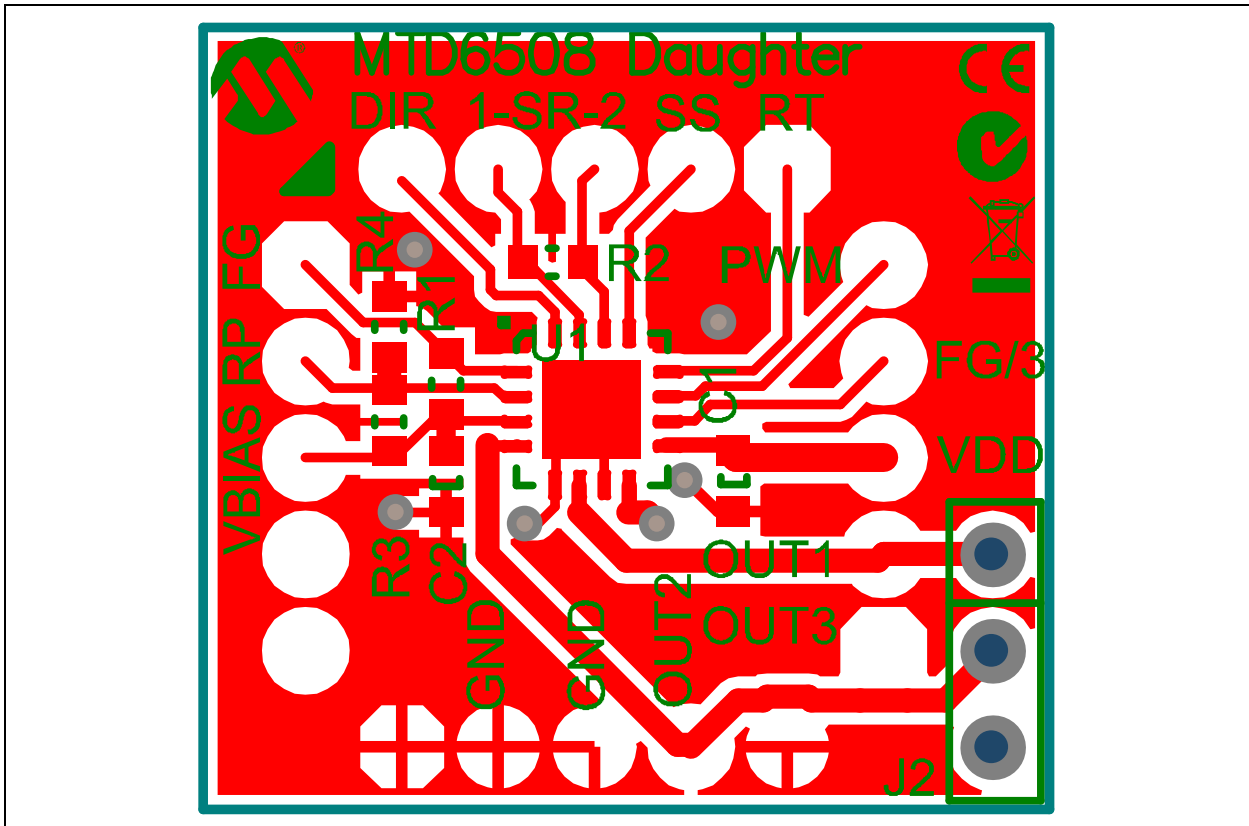
A.2 ADM00631 BOARD 4X4 16-LEAD UQFN – SCHEMATIC



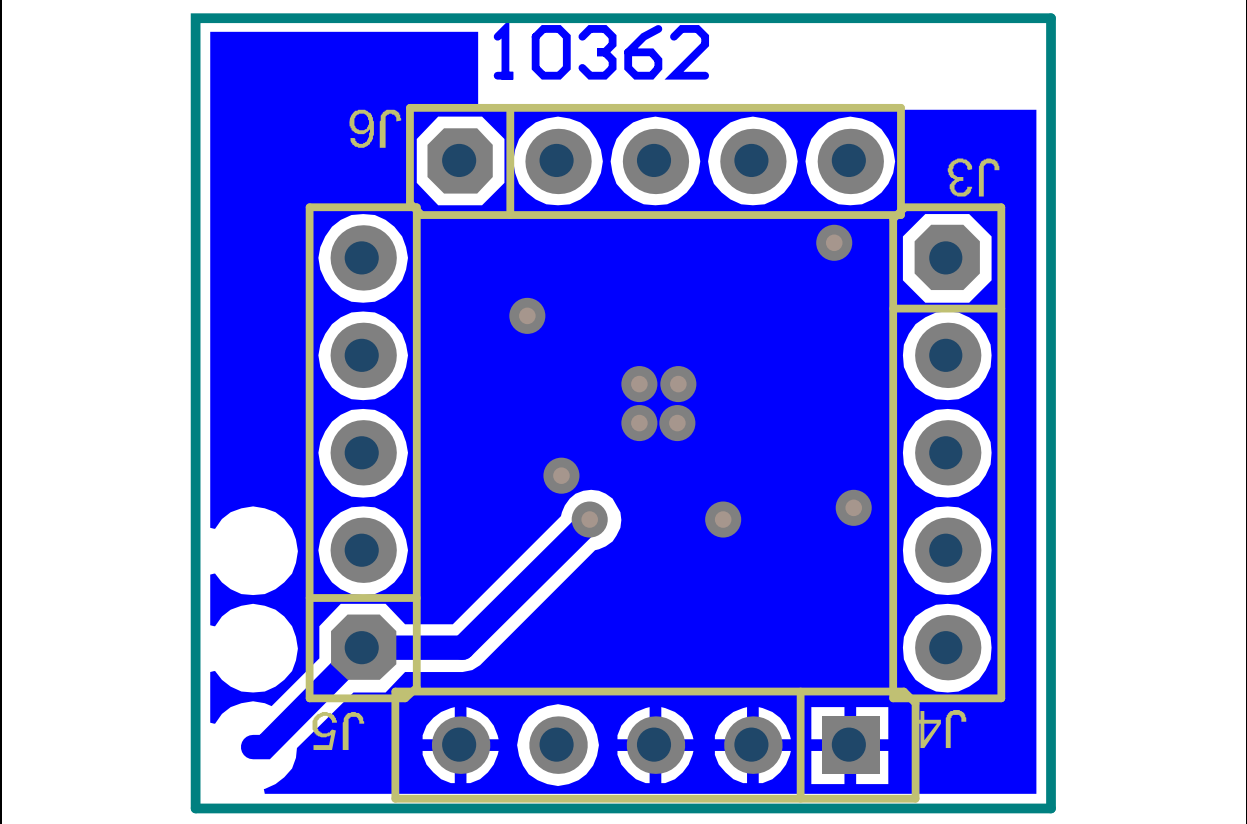
A.3 ADM00631 BOARD 4x4 16-Lead UQFN – TOP SILK



A.4 ADM00631 BOARD 4x4 16-Lead UQFN – TOP COPPER AND SILK



A.5 ADM00631 BOARD 4X4 16-LEAD UQFN – BOTTOM COPPER AND SILK





MTD6508 3-PHASE BLDC SENSORLESS FAN CONTROLLER DEMONSTRATION DAUGHTER BOARD

Appendix B. Bill of Materials (BOM)

TABLE B-1: BILL OF MATERIALS (BOM) – MTD6508 4x4 16-LEAD UQFN DAUGHTER BOARD (ADM00631)⁽¹⁾

Qty	Reference	Description	Manufacturer	Part Number
2	C1, C2	Capacitor Ceramic, 0.001 uF, 50V, 20%, X7R, SMD, 0603	KEMET®	C0603C102M5RAC
1	J2	Connector Header – 2.54 Male, 1x3, Gold, 5.84 MH TH, R/A	Samtec, Inc.	TSW-103-08-F-S-RA
3	J3, J5, J6	Connector Header – 2.54 Male, 1x5, Tin, 5.84 MH TH, Vertical	Samtec, Inc.	TSW-105-07-T-S
1	J4	Connector Header – 2.54 Female, 1x5, Gold, TH	Mill-Max Mfg. Corporation	801-43-005-10-001000
1	R1	Resistor TKF, 10k, 5%, 1/10W, SMD, 0603	Panasonic® – ECG	ERJ-3GEYJ103V
1	U1	Microchip Analog Motor Driver, MTD6508-ADJE/JQ, 16-Lead UQFN	Microchip Technology Inc.	MTD6508-ADJE/JQ

Note 1: The components listed in this Bill of Materials are representative of the PCB assembly. The released BOM used in manufacturing uses all RoHS-compliant components.

TABLE B-2: BILL OF MATERIALS (BOM) – MTD6508 3x3 10-LEAD UDFN DAUGHTER BOARD (ADM00632)⁽¹⁾

Qty	Reference	Description	Manufacturer	Part Number
2	C1, C2	Capacitor Ceramic, 0.001 uF, 50V, 20%, X7R, SMD, 0603	KEMET®	C0603C102M5RAC
1	J2	Connector Header – 2.54 Male, 1x3, Gold, 5.84 MH TH, R/A	Samtec, Inc.	TSW-103-08-F-S-RA
3	J3, J5, J6	Connector Header – 2.54 Male, 1x5, Tin, 5.84 MH TH, Vertical	Samtec, Inc.	TSW-105-07-T-S
1	J4	Connector Header – 2.54 Female, 1x5, Gold, TH	Mill-Max Mfg. Corporation	801-43-005-10-001000
1	R1	Resistor TKF, 10k, 5%, 1/10W, SMD, 0603	Panasonic® - ECG	ERJ-3GEYJ103V
1	U1	Microchip Analog Motor Driver, MTD6508T-E/NA, 10-Lead UDFN	Microchip Technology Inc	MTD6508T-E/NA

Note 1: The components listed in this Bill of Materials are representative of the PCB assembly. The released BOM used in manufacturing uses all RoHS-compliant components.



MICROCHIP

Worldwide Sales and Service

AMERICAS

Corporate Office
2355 West Chandler Blvd.
Chandler, AZ 85224-6199
Tel: 480-792-7200
Fax: 480-792-7277
Technical Support:
<http://www.microchip.com/support>
Web Address:
www.microchip.com

Atlanta
Duluth, GA
Tel: 678-957-9614
Fax: 678-957-1455

Austin, TX
Tel: 512-257-3370

Boston
Westborough, MA
Tel: 774-760-0087
Fax: 774-760-0088

Chicago
Itasca, IL
Tel: 630-285-0071
Fax: 630-285-0075

Cleveland
Independence, OH
Tel: 216-447-0464
Fax: 216-447-0643

Dallas
Addison, TX
Tel: 972-818-7423
Fax: 972-818-2924

Detroit
Novi, MI
Tel: 248-848-4000

Houston, TX
Tel: 281-894-5983

Indianapolis
Noblesville, IN
Tel: 317-773-8323
Fax: 317-773-5453

Los Angeles
Mission Viejo, CA
Tel: 949-462-9523
Fax: 949-462-9608

New York, NY
Tel: 631-435-6000

San Jose, CA
Tel: 408-735-9110

Canada - Toronto
Tel: 905-695-1980
Fax: 905-695-2078

ASIA/PACIFIC

Asia Pacific Office
Suites 3707-14, 37th Floor
Tower 6, The Gateway
Harbour City, Kowloon

Hong Kong
Tel: 852-2943-5100
Fax: 852-2401-3431

Australia - Sydney
Tel: 61-2-9868-6733
Fax: 61-2-9868-6755

China - Beijing
Tel: 86-10-8569-7000
Fax: 86-10-8528-2104

China - Chengdu
Tel: 86-28-8665-5511
Fax: 86-28-8665-7889

China - Chongqing
Tel: 86-23-8980-9588
Fax: 86-23-8980-9500

China - Dongguan
Tel: 86-769-8702-9880

China - Guangzhou
Tel: 86-20-8755-8029

China - Hangzhou
Tel: 86-571-8792-8115
Fax: 86-571-8792-8116

China - Hong Kong SAR
Tel: 852-2943-5100
Fax: 852-2401-3431

China - Nanjing
Tel: 86-25-8473-2460
Fax: 86-25-8473-2470

China - Qingdao
Tel: 86-532-8502-7355
Fax: 86-532-8502-7205

China - Shanghai
Tel: 86-21-5407-5533
Fax: 86-21-5407-5066

China - Shenyang
Tel: 86-24-2334-2829
Fax: 86-24-2334-2393

China - Shenzhen
Tel: 86-755-8864-2200
Fax: 86-755-8203-1760

China - Wuhan
Tel: 86-27-5980-5300
Fax: 86-27-5980-5118

China - Xian
Tel: 86-29-8833-7252
Fax: 86-29-8833-7256

ASIA/PACIFIC

China - Xiamen
Tel: 86-592-2388138
Fax: 86-592-2388130

China - Zhuhai
Tel: 86-756-3210040
Fax: 86-756-3210049

India - Bangalore
Tel: 91-80-3090-4444
Fax: 91-80-3090-4123

India - New Delhi
Tel: 91-11-4160-8631
Fax: 91-11-4160-8632

India - Pune
Tel: 91-20-3019-1500

Japan - Osaka
Tel: 81-6-6152-7160
Fax: 81-6-6152-9310

Japan - Tokyo
Tel: 81-3-6880-3770
Fax: 81-3-6880-3771

Korea - Daegu
Tel: 82-53-744-4301
Fax: 82-53-744-4302

Korea - Seoul
Tel: 82-2-554-7200
Fax: 82-2-558-5932 or
82-2-558-5934

Malaysia - Kuala Lumpur
Tel: 60-3-6201-9857
Fax: 60-3-6201-9859

Malaysia - Penang
Tel: 60-4-227-8870
Fax: 60-4-227-4068

Philippines - Manila
Tel: 63-2-634-9065
Fax: 63-2-634-9069

Singapore
Tel: 65-6334-8870
Fax: 65-6334-8850

Taiwan - Hsin Chu
Tel: 886-3-5778-366
Fax: 886-3-5770-955

Taiwan - Kaohsiung
Tel: 886-7-213-7828

Taiwan - Taipei
Tel: 886-2-2508-8600
Fax: 886-2-2508-0102

Thailand - Bangkok
Tel: 66-2-694-1351
Fax: 66-2-694-1350

EUROPE

Austria - Wels
Tel: 43-7242-2244-39
Fax: 43-7242-2244-393

Denmark - Copenhagen
Tel: 45-4450-2828
Fax: 45-4485-2829

France - Paris
Tel: 33-1-69-53-63-20
Fax: 33-1-69-30-90-79

Germany - Dusseldorf
Tel: 49-2129-3766400

Germany - Karlsruhe
Tel: 49-721-625370

Germany - Munich
Tel: 49-89-627-144-0
Fax: 49-89-627-144-44

Italy - Milan
Tel: 39-0331-742611
Fax: 39-0331-466781

Italy - Venice
Tel: 39-049-7625286

Netherlands - Drunen
Tel: 31-416-690399
Fax: 31-416-690340

Poland - Warsaw
Tel: 48-22-3325737

Spain - Madrid
Tel: 34-91-708-08-90
Fax: 34-91-708-08-91

Sweden - Stockholm
Tel: 46-8-5090-4654

UK - Wokingham
Tel: 44-118-921-5800
Fax: 44-118-921-5820

06/23/16