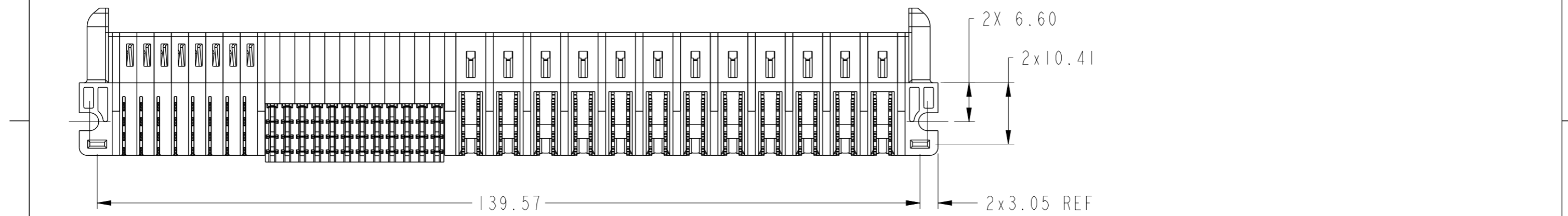
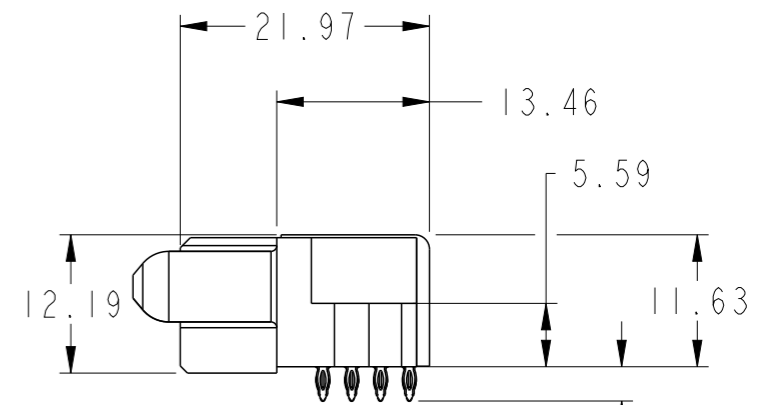
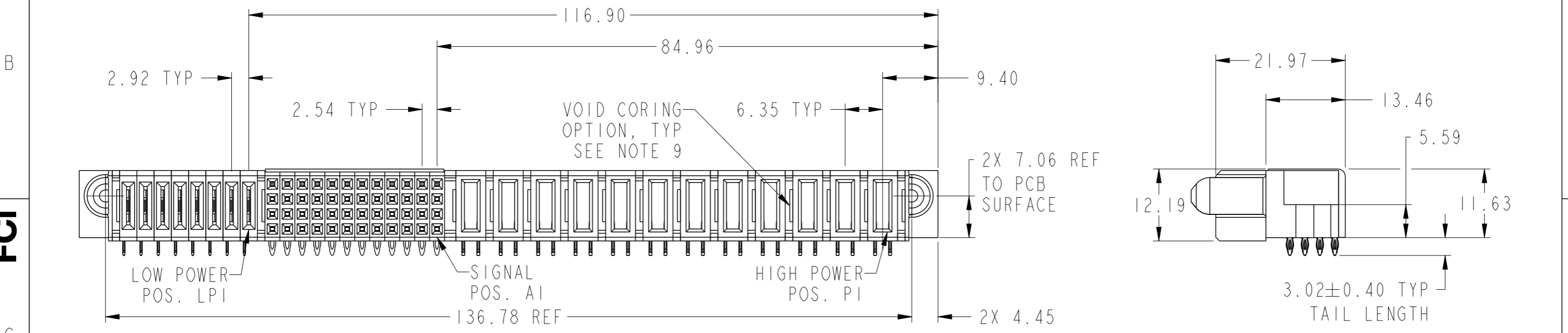
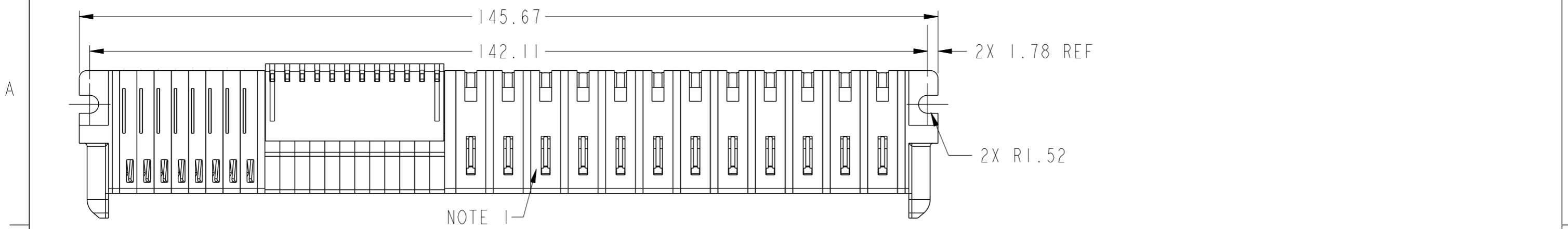


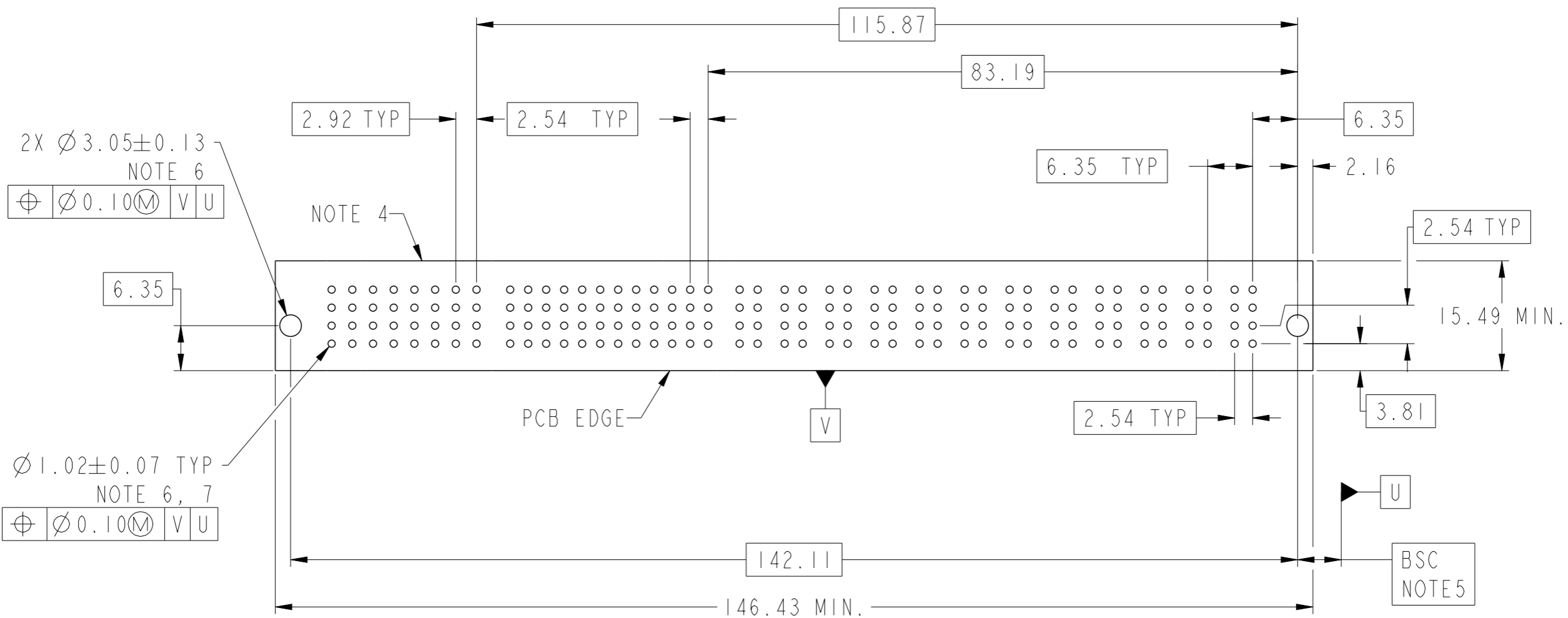
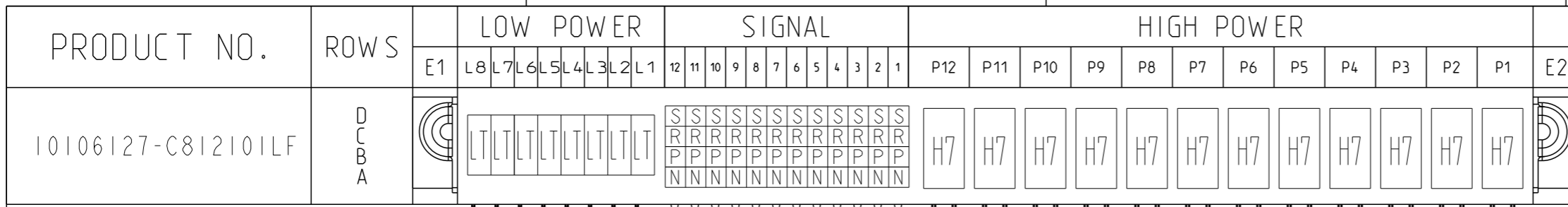
PRODUCT NUMBER SEE SHEET 2



|                                       |         |              |                |                  |        |              |                  |                        |          |
|---------------------------------------|---------|--------------|----------------|------------------|--------|--------------|------------------|------------------------|----------|
| spec ref                              | dr      | Helen Zhang  | 2013/07/03     | projection       | MM     | size         | A3               | scale                  | 3:2      |
| tolerance std                         | eng     | Vicking Liu  | 2016/10/31     |                  |        | ecn no       | ELX-DG-25114-1   | rel level              | Released |
| ISO 406<br>ISO 1101                   | chr     | Fancy Zhang  | 2016/11/02     |                  |        |              |                  |                        |          |
| TOLERANCES UNLESS OTHERWISE SPECIFIED |         | appr         | Pei-Ming Zheng | 2016/11/02       | dwg no |              | 10106127-C812101 |                        | rev      |
| surface                               | linear  | Amphenol FCI |                | 12HP + 48S + 8LP |        | cat. no.     |                  | Product - Customer Drw |          |
|                                       |         |              |                | RA RECPTACLE PF  |        | sheet 1 of 3 |                  | B                      |          |
| ISO 1302                              | angular | 0°           | ±2°            |                  |        |              |                  |                        |          |

Amphenol FCI

© 2016 AFCI



| CODE | DESCRIPTION               |
|------|---------------------------|
| H7   | STD HIGH POWER CONTACT    |
| LT   | STD LOW POWER CONTACT     |
| N    | STD SIGNAL CONTACT, ROW A |
| P    | STD SIGNAL CONTACT, ROW B |
| R    | STD SIGNAL CONTACT, ROW C |
| S    | STD SIGNAL CONTACT, ROW D |

|                     |         |             |            |                                     |                        |        |                  |           |          |
|---------------------|---------|-------------|------------|-------------------------------------|------------------------|--------|------------------|-----------|----------|
| spec ref            | dr      | Helen Zhang | 2013/07/03 | projection                          | MM                     | size   | A3               | scale     | 3:2      |
| tolerance std       | eng     | Vicking Liu | 2016/10/31 |                                     |                        | ecn no | ELX-DG-25114-1   | rel level | Released |
| ISO 406<br>ISO 1101 | chr     | Fancy Zhang | 2016/11/02 |                                     |                        |        |                  |           |          |
| surface             | linear  | 0.X         | ±0.5       |                                     |                        | dwg no | 10106127-C812101 | rev       | B        |
|                     |         | 0.XX        | ±0.25      | 12HP + 48S + 8LP<br>RA RECPTACLE PF |                        |        |                  |           |          |
| ISO 1302            | angular | 0°          | ±2°        | cat. no.                            | Product - Customer Drw |        | sheet 2 of 3     |           |          |

Amphenol FCI

© 2016 AFCI

A

B

C

D

A

B

C

D

NOTES:

- 1) PRODUCT MARK:  
PART NUMBER AND DATE CODE TO BE MARKED ON THIS SURFACE .  
THE MARK CAN BE OMITTED IF THERE IS NOT ENOUGH SPACE ON THIS SURFACE.
- 2) MATERIALS:  
-HOUSING : HIGH TEMP THERMOPLASTIC WITH GLASS FIBER, UL94V-0, BLACK.  
-POWER CONTACT : HIGH CONDUCTIVITY COPPER ALLOY.  
-SIGNAL CONTACT : COPPER ALLOY.
- 3) PLATING SPECIFICATION : 10124315
- 4) DENOTES CONNECTOR KEEP OUT ZONE.
- 5) DATUM AND BASIC DIMENIONS ARE ESTABLISHED BY CUSTOMER.
- 6) ALL HOLE DIAMETERS ARE FINISHED HOLE SIZES.
- 7) 1.15+/-0.025MM DRILLED HOLE PLATED WITH 0.00762MM MIN SN  
OVER 0.0254-0.0762MM CU PLATING TO ACHIEVE A 1.02+/-0.07MM HOLE.
- 8) THIS PRODUCT MEETS EUROPEAN UNION DIRECTIVES AND OTHER COUNTRY  
REGULATIONS AS DESCRIBED IN GS-47-0004.
- 9) THE VOID CORING IN BETWEEN POWER MODULES, SIGNAL MODULES AND  
END MODULES ARE OPTIONAL AND THE SHAPE MAY BE DIFFERENT FOR  
OPTIMIZE THE MOLDING PROCESS. THE VOID CORING WILL NOT EFFECT  
TO PRODUCT FUNCTION.
- 10) PRODUCT SPECIFICATION : GS-12-658.  
APPLICATION SPECIFICATION : GS-20-141.  
PRODUCT PACKAGE SPECIFICATION: GS-14-1502.

Amphenol  
FCi

© 2016 AFCI

|                     |         |                                       |             |            |                 |                                     |        |                  |              |                |           |
|---------------------|---------|---------------------------------------|-------------|------------|-----------------|-------------------------------------|--------|------------------|--------------|----------------|-----------|
| spec ref            |         | dr                                    | Helen Zhang | 2013/07/03 | projection<br>  | MM<br>←→                            | size   | A3               | scale        | 3:2            |           |
| tolerance std       |         | eng                                   | Vicking Liu | 2016/10/31 |                 |                                     | ecn no | ELX-DG-25114-1   |              |                |           |
| ISO 406<br>ISO 1101 |         | TOLERANCES UNLESS OTHERWISE SPECIFIED |             |            |                 |                                     | chr    | Fancy Zhang      | 2016/11/02   | product family | PwrBlade+ |
| surface             | linear  | 0.X                                   | ±0.5        |            | Amphenol<br>FCi | 12HP + 48S + 8LP<br>RA RECPTACLE PF | dwg no | 10106127-C812101 |              |                | rev<br>B  |
|                     |         | 0.XX                                  | ±0.25       |            |                 |                                     |        |                  |              |                |           |
|                     |         | 0.XXX                                 | ±0.10       |            |                 |                                     |        |                  |              |                |           |
| ISO 1302            | angular | 0°                                    | ±2°         |            | cat. no.        | Product - Customer Drw              |        |                  | sheet 3 of 3 |                |           |