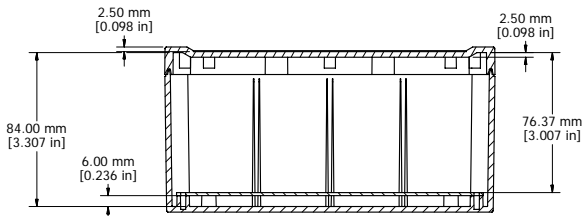
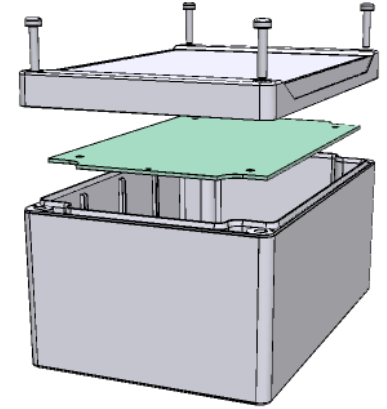
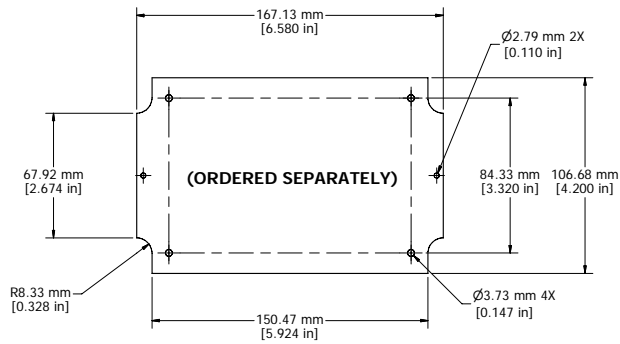


SECTION A-A

**UL US LISTED**  
File #E65324  
NEMA 4, 4X

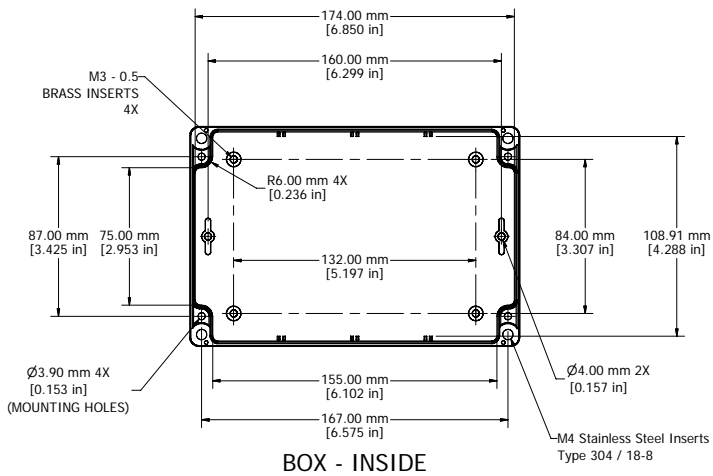


SECTION B-B

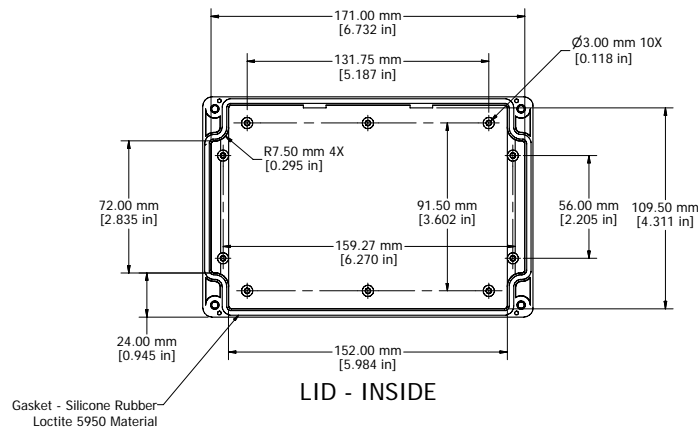


STEEL INNER PANEL

Enclosures can be Factory Modified ( Milling, Drilling, Printing etc. )  
Solid models of this enclosure available in STEP or IGES.  
Contact Factory [mjm@hammondmfg.com](mailto:mjm@hammondmfg.com)



BOX - INSIDE



LID - INSIDE

NOTE	
Purchased assembly includes box, lid, and 4 cover screws	
Cover screws should be torqued to 2.5 lbf-in (30 cN-m)	
Polycarbonate version is UL 508 approved	

1555T	
1555T Regular Enclosure	
General Purpose ABS RAL-7035 UL94 - HB	1555TGY
Poycarbonate RAL-7035 - V0 / 5VA @ 3mm	1555T2GY
ACCESSORIES	
Heavy Duty 16 Gauge Galvanized Steel Panels	1554HPL
Steel Panel / P.C. Board Machine Screw [M3 x 8mm Nickel Plated]	1591MM100
Steel Panel / P.C. Board Self Tapping Screw [#6 X 1/4" (6.4mm) Nickel Plated]	1598ATS100
Cover Screws (Pkg 4) [M4 X 20mm Stainless Steel]	SC1554

**HAMMOND MANUFACTURING™**  
1555T  
[www.hammondmfg.com](http://www.hammondmfg.com)