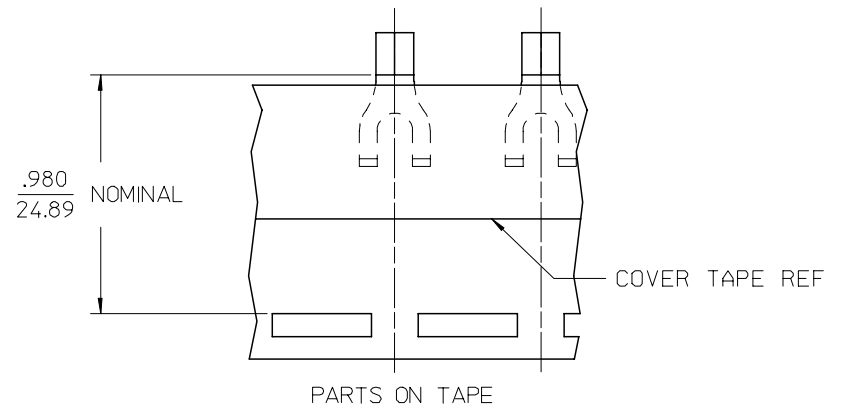
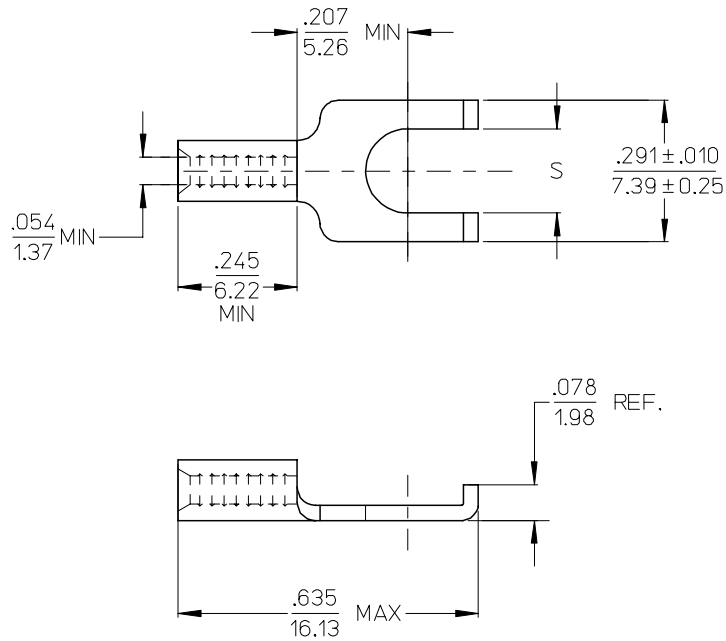


LOOSE PIECE

TAPE MOUNTED

MATERIAL NUMBER	ENGINEERING NUMBER	MATERIAL NUMBER	ENGINEERING NUMBER	STUD SIZE	S ±.005
191170016	A-115-06	191170017	A-115-06T	6	.146/3.71
191170018	A-115-08	191170072	A-115-08T	8	.173/4.39
191170020	A-115-10	191170022	A-115-10T	10	.198/5.03



SALES DRAWING

NOTES:

1. MATERIAL: COPPER .031/0.78 THICK, REF.
2. PLATING: ELECTRO-TIN
3. PART IS RoHS COMPLIANT

ADD NOTE 3. REV. DIMS
 EC NO: ETC2008-0012
 DRWR: RSTONE 2007/11/26
 CHKD: JMACNEIL 2007/11/26
 APPR: JMACNEIL 2007/12/05

REV	DESCRIPTION
A	

QUALITY SYMBOLS	
▽=0	
▽=0	

GENERAL TOLERANCES (UNLESS SPECIFIED)	
4 PLACES	± --- ±.0002
3 PLACES	± 0.005 ±.005
2 PLACES	± 0.13 ±.01
1 PLACE	± 0.25 ± ---
ANGULAR ±1/2°	

DIMENSION STYLE	
IN/MM	
DRAWN BY	DATE
JJ	1984/10/15
CHECKED BY	DATE
GZ	1984/10/22
APPROVED BY	DATE
GZ	1984/10/22

SCALE	DESIGN UNITS	THIRD ANGLE PROJECTION
4:1	INCH	☉
TITLE		
FLANGED SPADE TONGUE TERMINAL KRIMPTITE 22-18 AWG, LONG BARREL		
MATERIAL NO. DATE		
SEE CHART 1984/10/22		
DOCUMENT NO.		SHEET NO.
SD-19117-007		1 OF 1