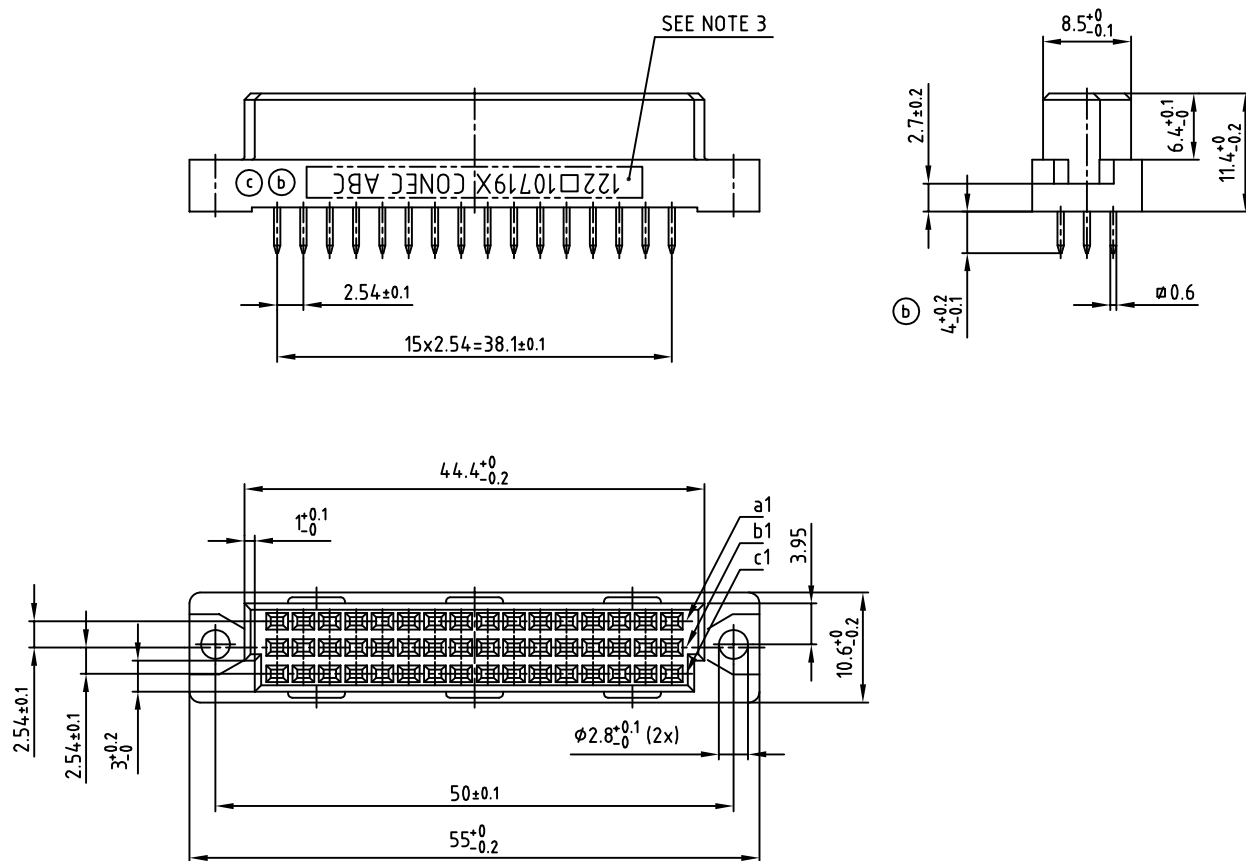


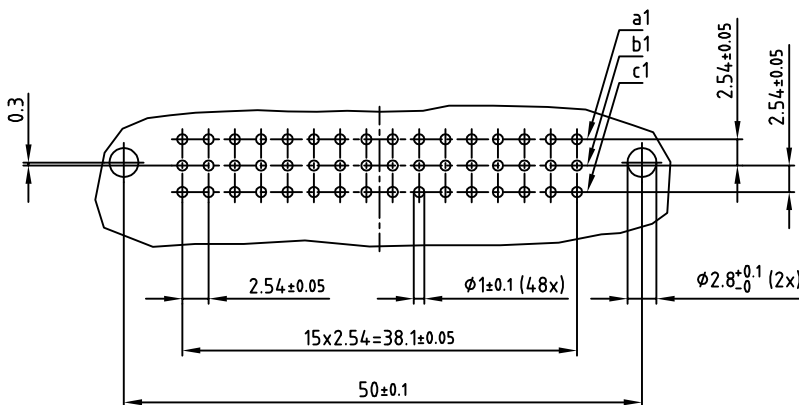
used for: DIN EN 60603 TYPE "C 1/2"



NOTES:

1. INSULATOR: PBT UL 94 V-0; GREY
2. CONTACTS: COPPER ALLOY; PLATING (SEE PART-NO.):
 - PLEASE ADD A FOR GOLD over NICKEL; 50 MATING CYCLES
 - PLEASE ADD B FOR GOLD over NICKEL; 400 MATING CYCLES
 - PLEASE ADD C FOR GOLD over NICKEL; 500 MATING CYCLES
3. CONNECTOR IS PART MARKED: **122□10719X CONEC ABC** (see note 2)

P.C.B. HOLE DRILLINGS
(P.C.B. TOP SIDE)



RoHS compliant

THIS DRAWING MAY NOT BE COPIED OR REPRODUCED IN ANY WAY, AND MAY NOT BE PASSED ON TO A THIRD PARTY, WITHOUT WRITTEN PERMISSION. OWNERSHIP AND COPYRIGHT OF CONEC GmbH DO NOT ALTER CAD DRAWING BY HAND

rev.	description	date	name	d-old
3 x c	Ä5776	21.08.2015	K.H.	
2 x b	Ä3311	13.03.09	Petker	
a	Original			



General tolerance	ϕ	scale:	2:1
	dim. in mm	material:	SEE NOTES
2004	date	name	title:
drawn	21.09.	Lehmenkühler	FEMALE CONNECTOR TYPE "C 1/2"
appd.	22.09.	Mickenbecker	48pos.
norm	DIN EN 60603		SOLDER PIN 4mm
dwg no:			
part no:	© 122□10719X	(see note 2)	

DIN-A
3
sh: 1/1