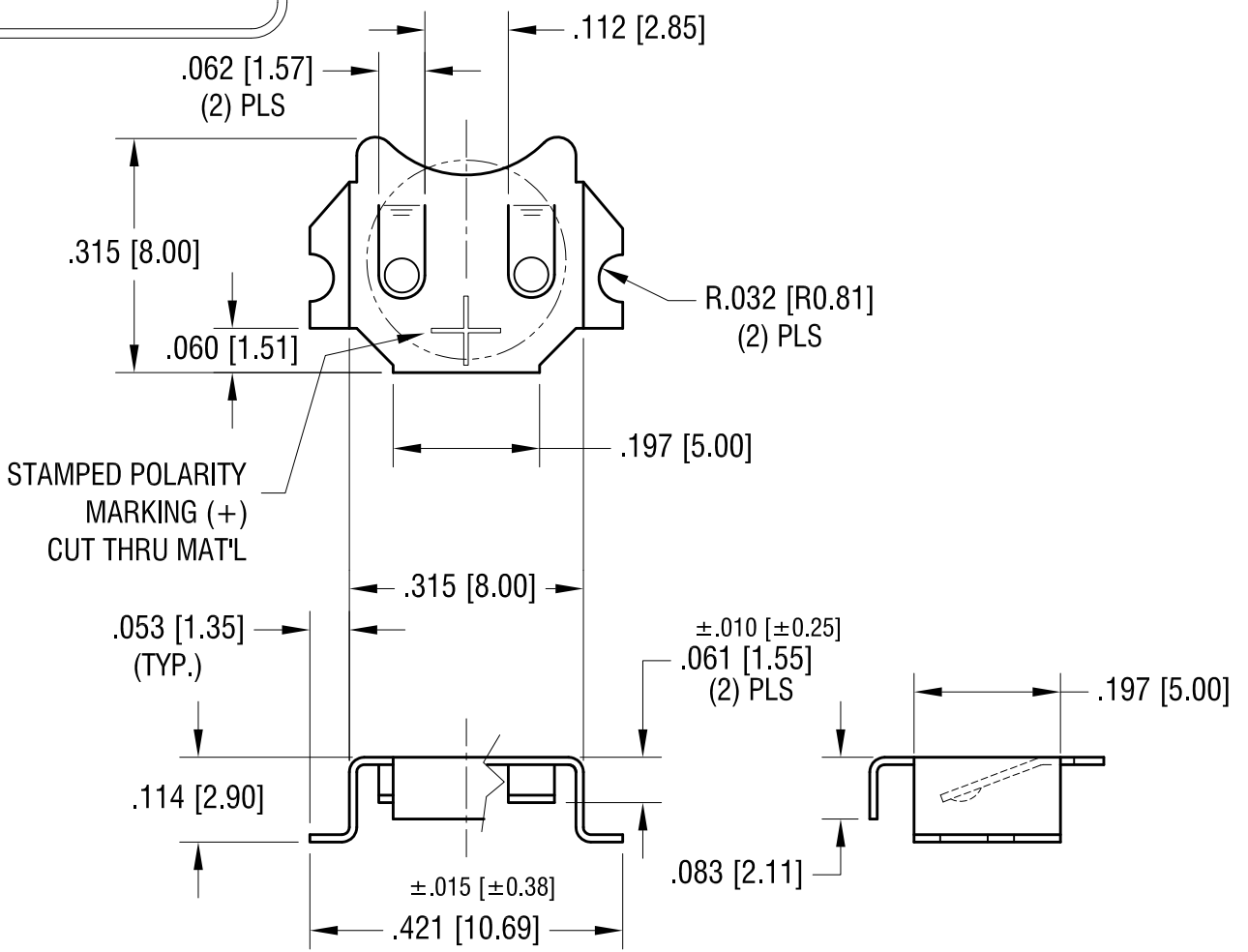
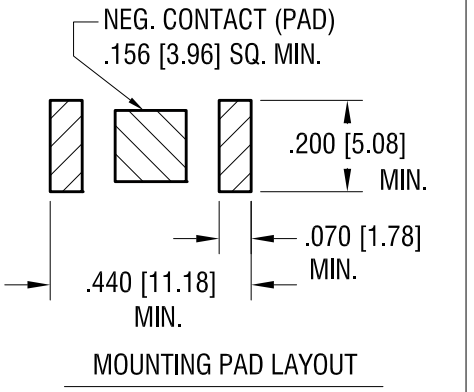


THIS DOCUMENT IS THE PROPERTY OF
KEYSTONE ELECTRONICS CORP. AND
SHALL NOT BE REPRODUCED, DISTRIBUTED
OR USED AS A BASIS FOR MANUFACTURE
WITHOUT PRIOR WRITTEN PERMISSION
FROM KEYSTONE ELECTRONICS CORP.

ACTUAL SIZE



KEYSTONE ELECTRONICS CORP.

www.keyelco.com • ASTORIA, N.Y. 11105-2017 • Tel (718) 956-8900

PART NAME
6.8 mm SM BUTTON CELL RETAINER

MATERIAL
.010 [0.25] TH'K PHOSPHOR BRONZE

FINISH MATTE TIN PLATE	DRN BY NT	DATE 4.07.09
	APP'D LN	SCALE 4X

12.30.16	CHANGE AS PER ECN 12-128	A
DATE	DESCRIPTION	REV.

TOLERANCES	INCH	[MM]	CODE	DWG NO.
DECIMAL	± .005	[± 0.15]	C	3098
ANGULAR	± 1°			
UNLESS OTHERWISE SPECIFIED				