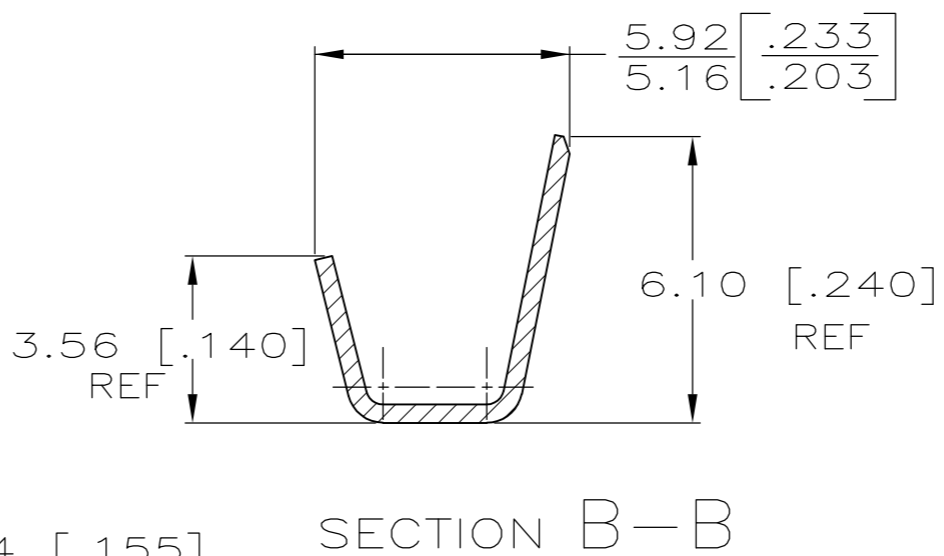
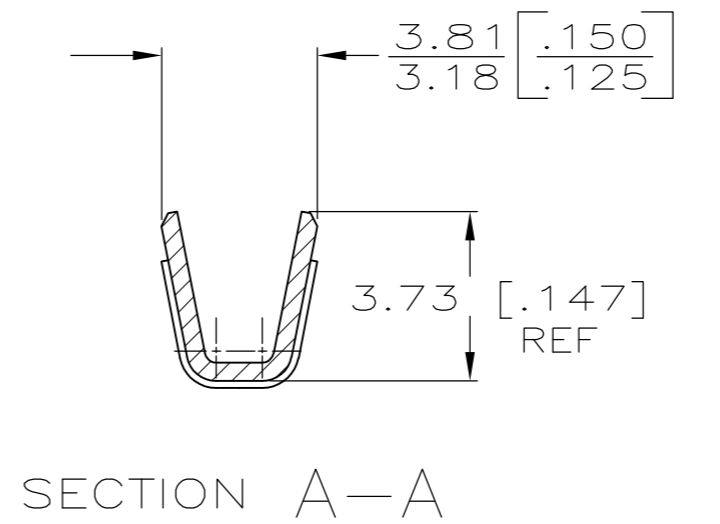
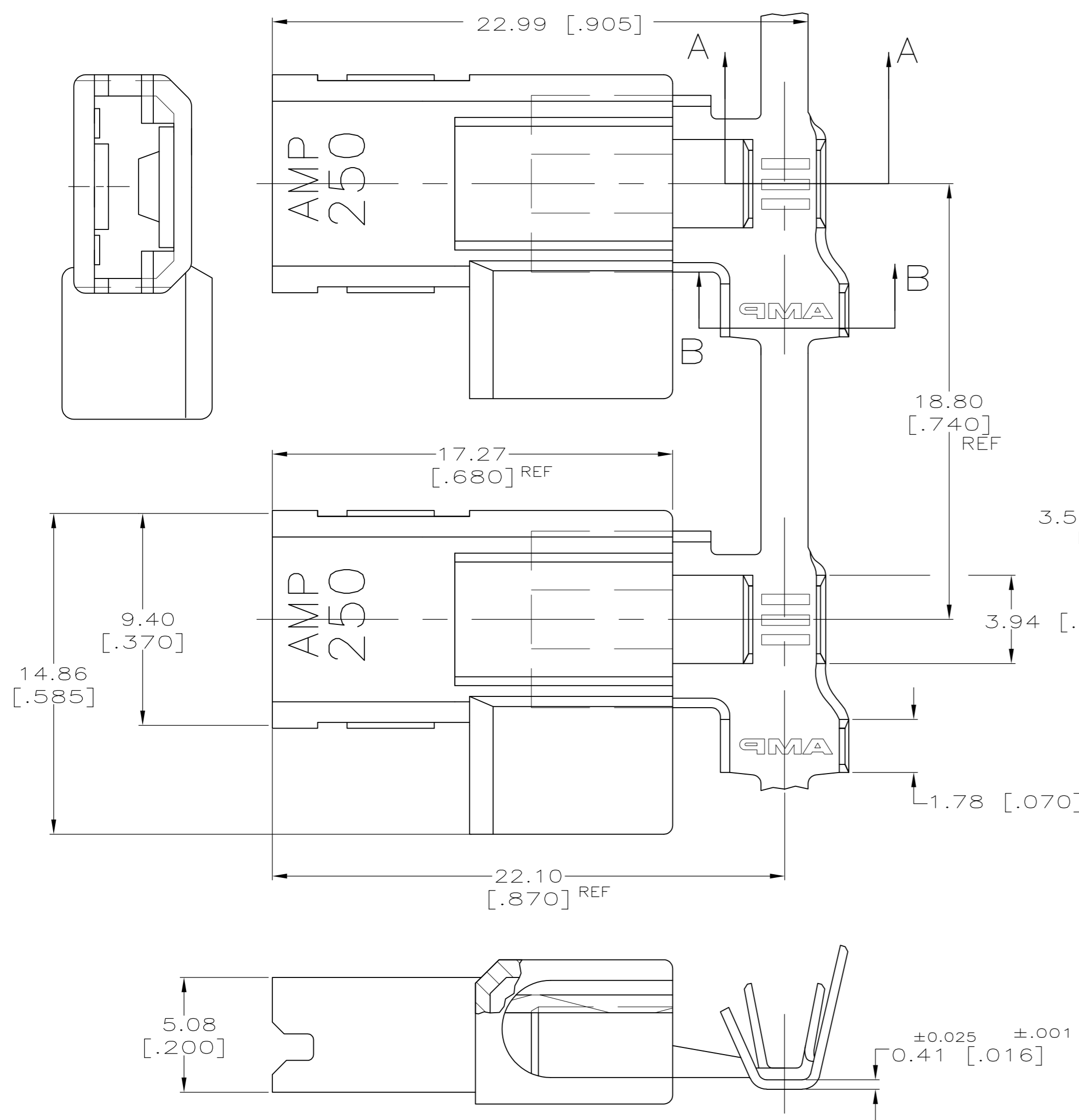
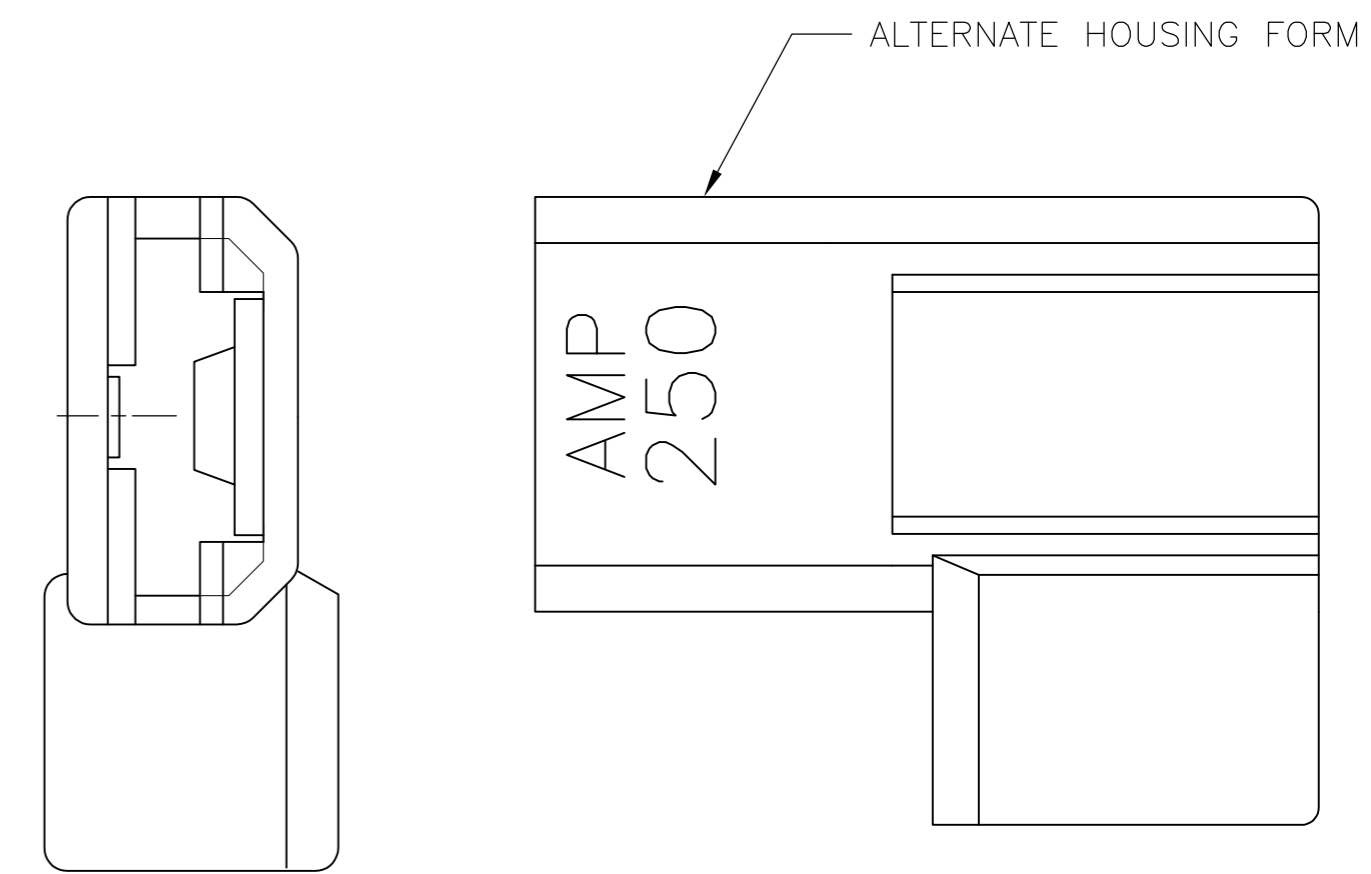


THIS DRAWING IS UNPUBLISHED. RELEASED FOR PUBLICATION
 © COPYRIGHT BY TYCO ELECTRONICS CORPORATION. ALL INTERNATIONAL RIGHTS RESERVED.

LOC		DIST		REVISIONS			
P	LTR	DESCRIPTION	DATE	DWN	APVD		
AF	50	D2	REVISED PER ECR-10-012712	23JUN10	HMR	DD	



- 1 BUDGET FLAG FASTON TERMINALS, BASE P/N 63559, ARE USED IN THIS PRODUCT.
- 2 WIRE SIZE [#18-#14] AWG.
- 3 INSULATION RANGE IS 2.79-4.06 [.110-.160] DIA.
- 4 PRELIMINARY - NOT FOR PRODUCTION
- 5 OFFERED FOR CONSIDERATION IN APPLICATIONS REQUIRING "NON-DRIP" HOUSING MATERIAL.



STANDARD	P/N 17066-1	TIN PLATED - 4M BRASS	521716-2
STANDARD		PLAIN - 4M BRASS	521716-1 ⁴
PACKAGING	HOUSING MATERIAL	TERMINAL FINISH - MATERIAL	PART NO
THIS DRAWING IS A CONTROLLED DOCUMENT.		DWN R FLAIG 23MAR2004	Tyco Electronics Corporation Harrisburg, PA 17105-3608
DIMENSIONS: mm [INCHES]		CHK K YI 23MAR2004	
TOLERANCES UNLESS OTHERWISE SPECIFIED:		APVD K YI 23MAR2004	
0 PLC ± - 1 PLC ± - 2 PLC ± - 3 PLC ± 0.25 [.010] 4 PLC ± - ANGLES ± -		PRODUCT SPEC 108-1285	
MATERIAL SEE TABLE	FINISH SEE TABLE	APPLICATION SPEC 114-2124	NAME ASSEMBLY, RECEPTACLE, FLAG, ULTRA-POD, 6.35 [.250] SERIES
		WEIGHT -	SIZE A2 CAGE CODE 00779 DRAWING NO C=521716 RESTRICTED TO -
		CUSTOMER DRAWING	SCALE 6:1 SHEET 1 OF 1 REV D2