

PRODUCT NUMBER  
DEM09PSP280

**ELECTRICAL DATA**

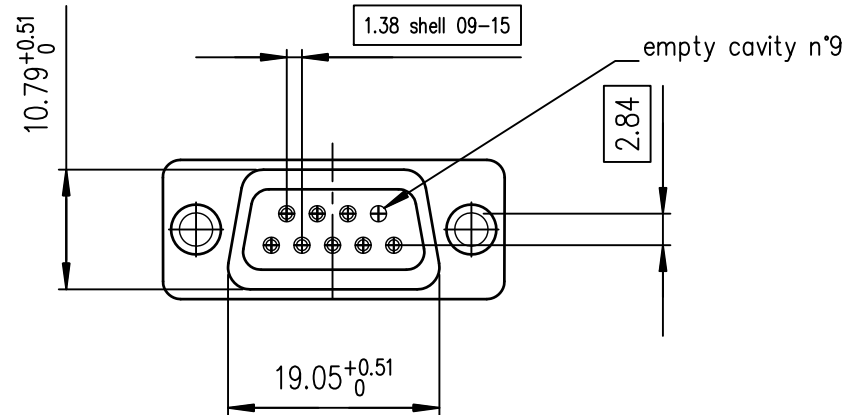
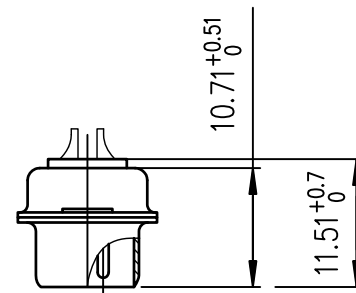
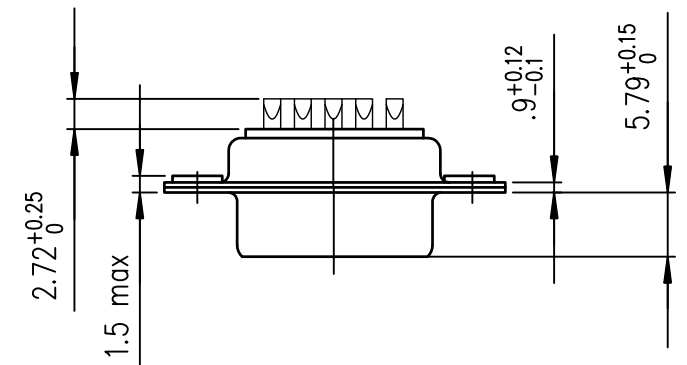
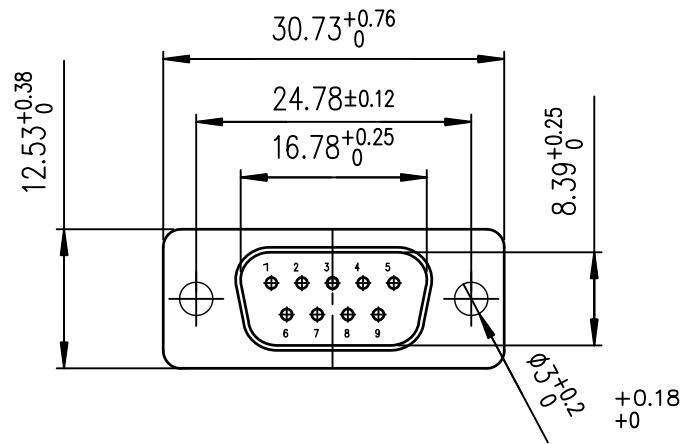
-I max	7.5A
-Contact resistance	<7.3mΩ
-Insulation resistance	>5000MΩ
-TEST VOLTAGE	
contact/contact	>1000V
contact/ground	>1200V

**MECHANICAL DATA**

-Contact force	>0.20N
-Retention force	>40N
-Insertion force	according to DIN41652 Part 2
-Withdrawal force	according to DIN41652 Part 2
-Mechanical endurance	500 matings / unmatings
-Material shell	steel
-Material insulator	glass filled thermoplastic UL94V0
-Material contacts	pin: brass.
-Finish on contact area	gold over nickel
-Finish on termination end	gold over nickel

**ENVIRONMENTAL DATA**

-Climatic category	-55°/ +125°/56
-Corrosion	salt spray: 48h



Copyright FCI.

European Views

rev	ecn no	dr	date
A	-	MPE	2005/10/24
B	-	MPE	2005/11/21
C	-	MPE	2005/12/19
D	-	MPE	2005/01/04
E	LS06-0007	MPE	2006/01/09
F	LS06-0097	LGO	2006/07/27
G	F10-0021	LSA	2010/03/25

www.fciconnect.com		surface ISO 1302 ✓	tolerance std ISO 406 ISO 1101	projection mm
TOLERANCES UNLESS OTHERWISE SPECIFIED				
Dr	M PESSON	2005/10/24	ANGULAR	0.X ±0.1
Eng	P LEGARE	2005/10/24	LINEAR	0.XX ±0.1
Chr	-	-	0.XX ±2°	0.XXX ±0.1
Appr	-	-	Product family	D-SUB
			size	A3
			Scale	1.5
			ECN	LS06-0097
			Spec ref	-
title		MALE CONNECTOR SP280		Rev.
with solder bucket		dwg no		C01-8637-1663
catalog no		-		G
		CUSTOMER		sheet 1 of 1