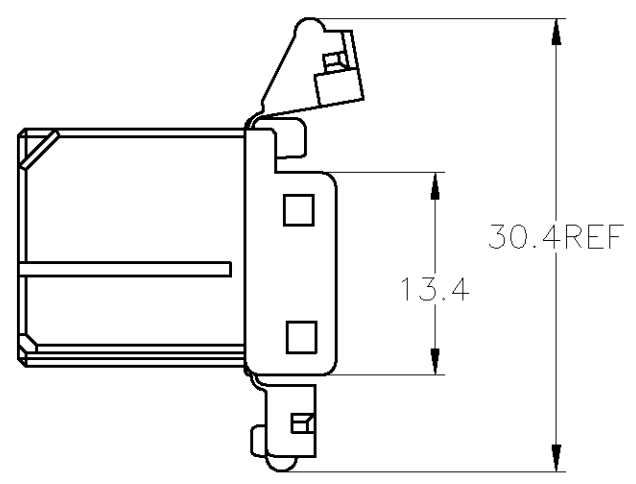
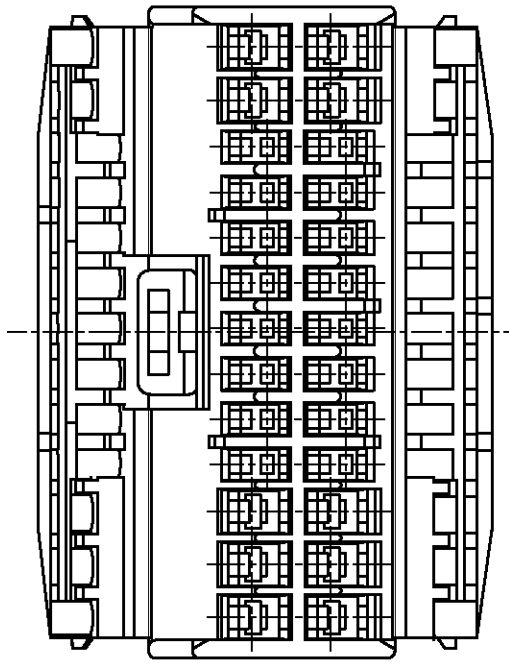
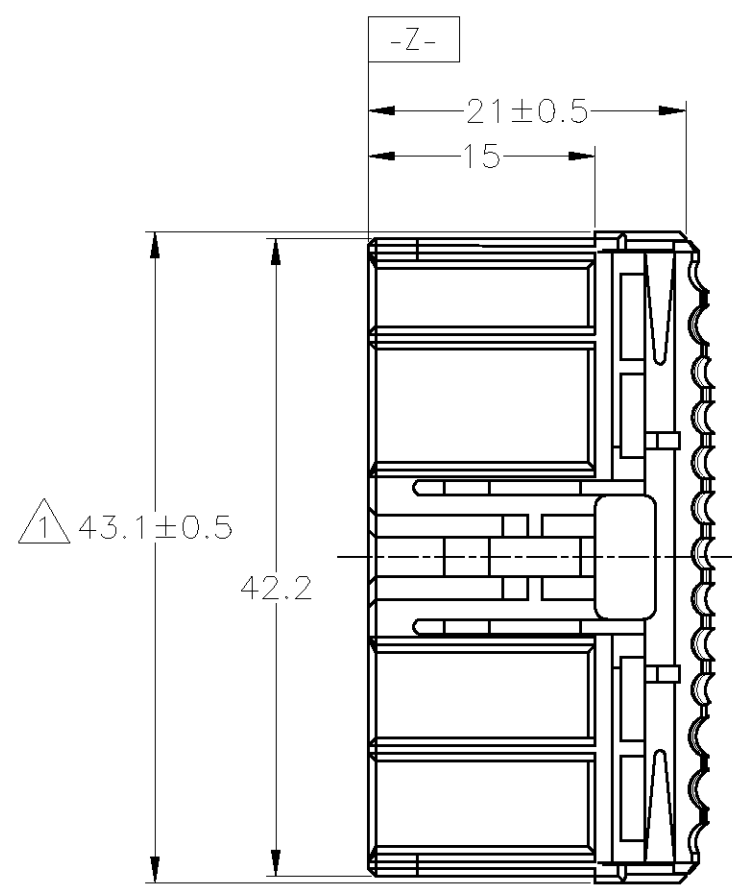
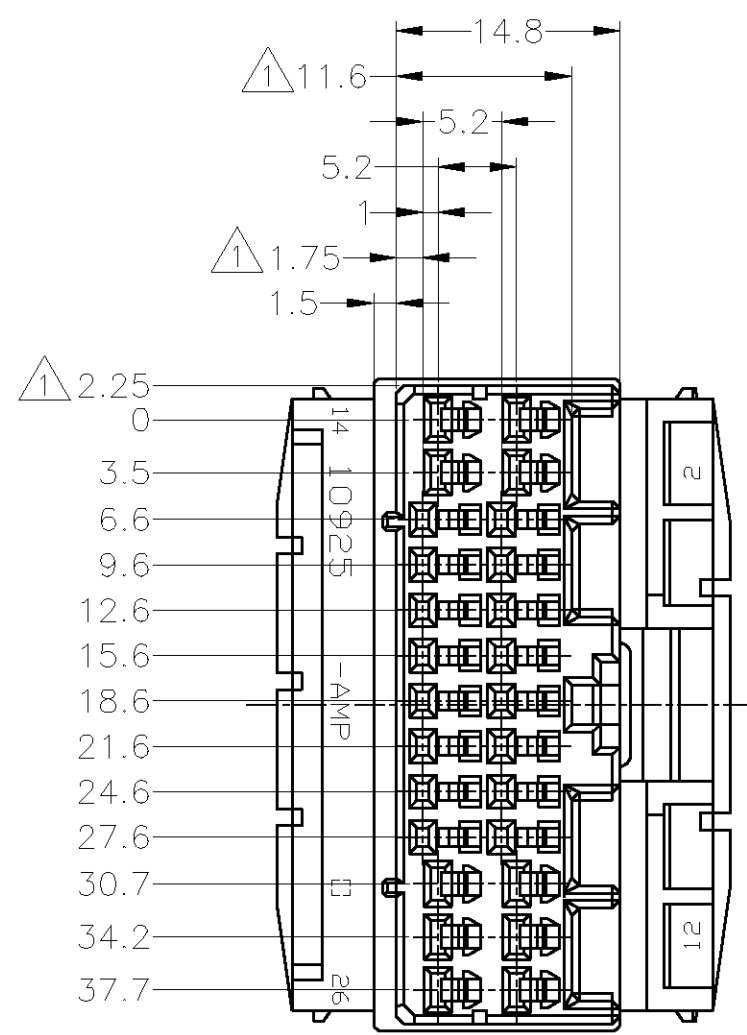


THIS DRAWING IS UNPUBLISHED. RELEASED FOR PUBLICATION
 © COPYRIGHT BY TYCO ELECTRONICS CORPORATION. ALL INTERNATIONAL RIGHTS RESERVED.

LOC	DIST	REVISIONS						
		P	LTR	DESCRIPTION	DATE	DWN	APVD	
J	-		C1	REDRAWN W/CHANGE	ECR-10-017285	07SEP10	TS	KB



- ① MUST BE KEPT BETWEEN [-Z-] AND 2mm
 - 2. THE MATING CAP HOUSING PART NUMBER; 174518
 - 3. APPLIED CONTACT PART NUMBER; 173716, 173630, 173631, 175094
 - 4. APPLICABLE PRODUCT SPEC NO. 108-5280
- ① [-Z-] 面より 2mm の範囲で測定。
 - 2. 嵌合相手ハウジング型番; 174518
 - 3. 内装するリセプタクルコンタクト型番; 173716, 173630, 173631, 175094
 - 4. 適用製品規格番号; 108-5280

灰 GRAY	175567-6
青 BLUE	175567-5
白 WHITE	175567-1
色 COLOR	PART NUMBER

TOLERANCE UNLESS OTHERWISE SPECIFIED:
一般公差

0 < x ≤ 10	: ±0.2
10 < x ≤ 30	: ±0.25
30 < x ≤ 100	: ±0.3
ANGLE ; 角度	: ±3°

THIS DRAWING IS A CONTROLLED DOCUMENT.		DWN T.SHINOHARA 07SEP10		Tyco Electronics Corporation Kawasaki, Japan													
DIMENSIONS: mm		CHK K.BETSUI 07SEP10															
TOLERANCES UNLESS OTHERWISE SPECIFIED:		APVD K.BETSUI 07SEP10		NAME													
<table border="1"> <tbody> <tr><td>0 PLC</td><td>± -</td></tr> <tr><td>1 PLC</td><td>± -</td></tr> <tr><td>2 PLC</td><td>± -</td></tr> <tr><td>3 PLC</td><td>± -</td></tr> <tr><td>4 PLC</td><td>± -</td></tr> <tr><td>ANGLES</td><td>± -</td></tr> </tbody> </table>		0 PLC	± -	1 PLC	± -	2 PLC	± -	3 PLC	± -	4 PLC	± -	ANGLES	± -	PRODUCT SPEC		040/070 SERIES HYBRID I/O CONNECTOR	
0 PLC	± -																
1 PLC	± -																
2 PLC	± -																
3 PLC	± -																
4 PLC	± -																
ANGLES	± -																
MATERIAL PBT		FINISH -		26POSITION PLUG HOUSING													
SEE NOTE 4		APPLICATION SPEC		SIZE CAGE CODE DRAWING NO RESTRICTED TO													
CUSTOMER DRAWING		WEIGHT -		A3 00779 C-175567													
		SCALE 2:1		SHEET 1 OF 1 REV C1													