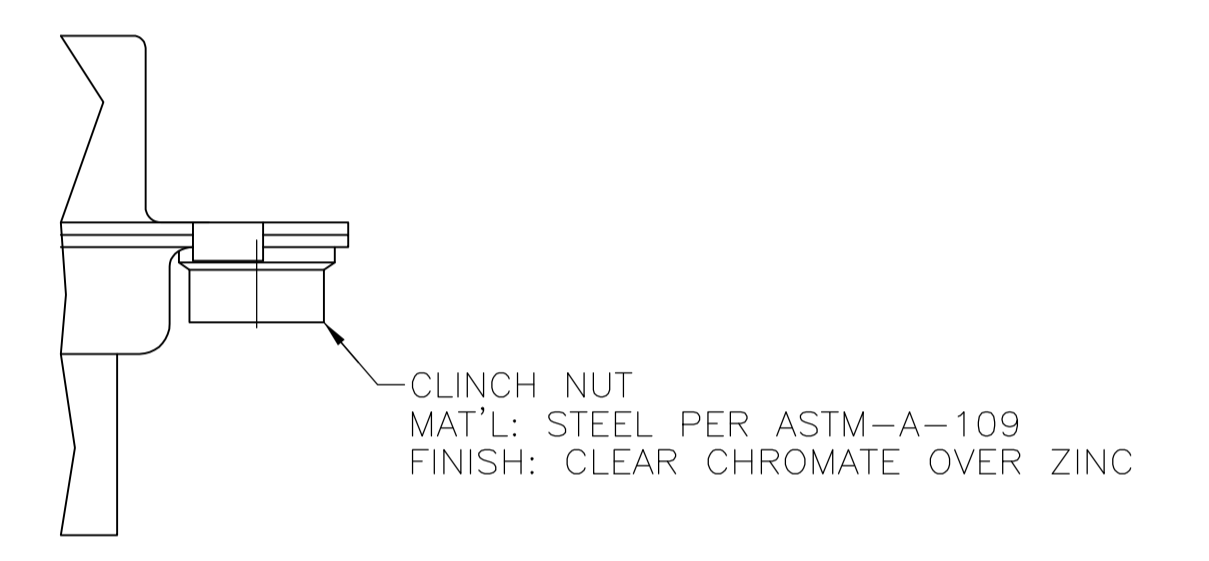
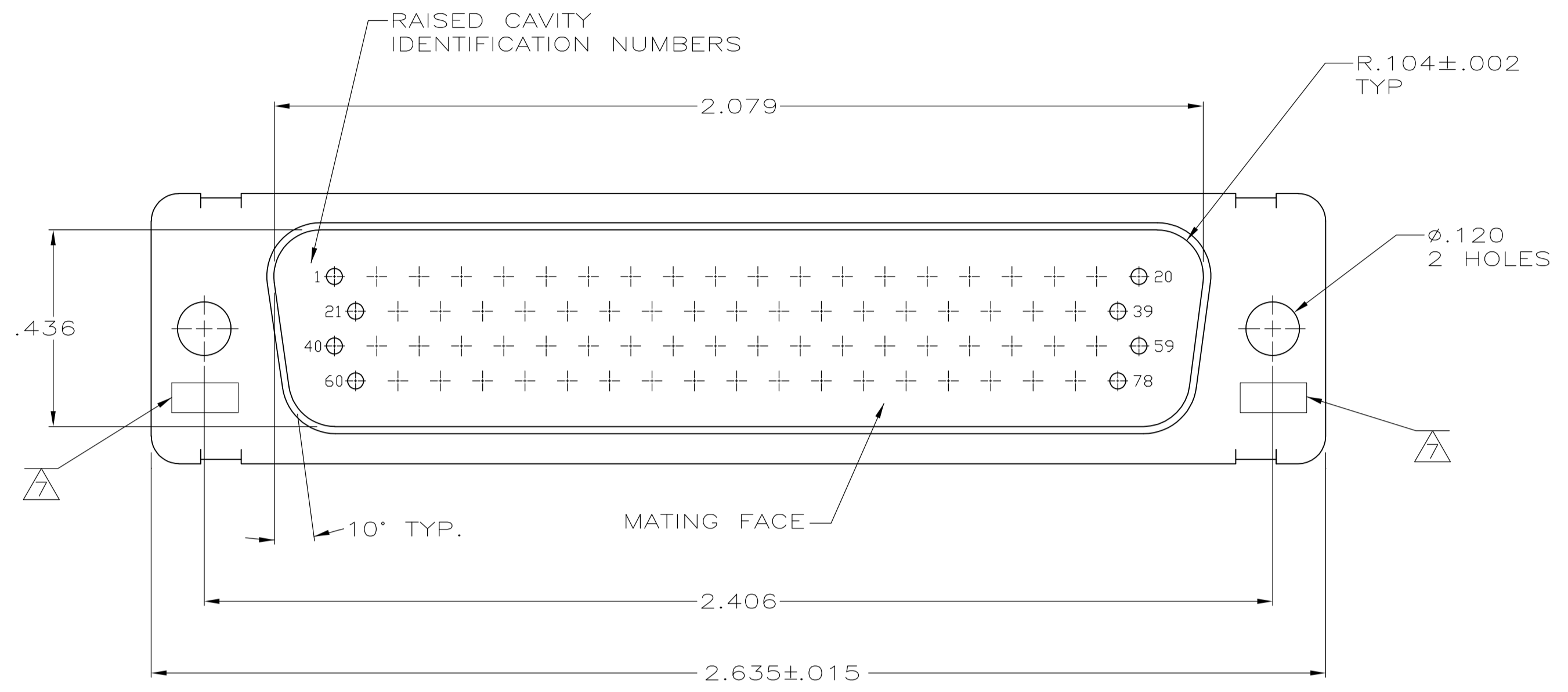
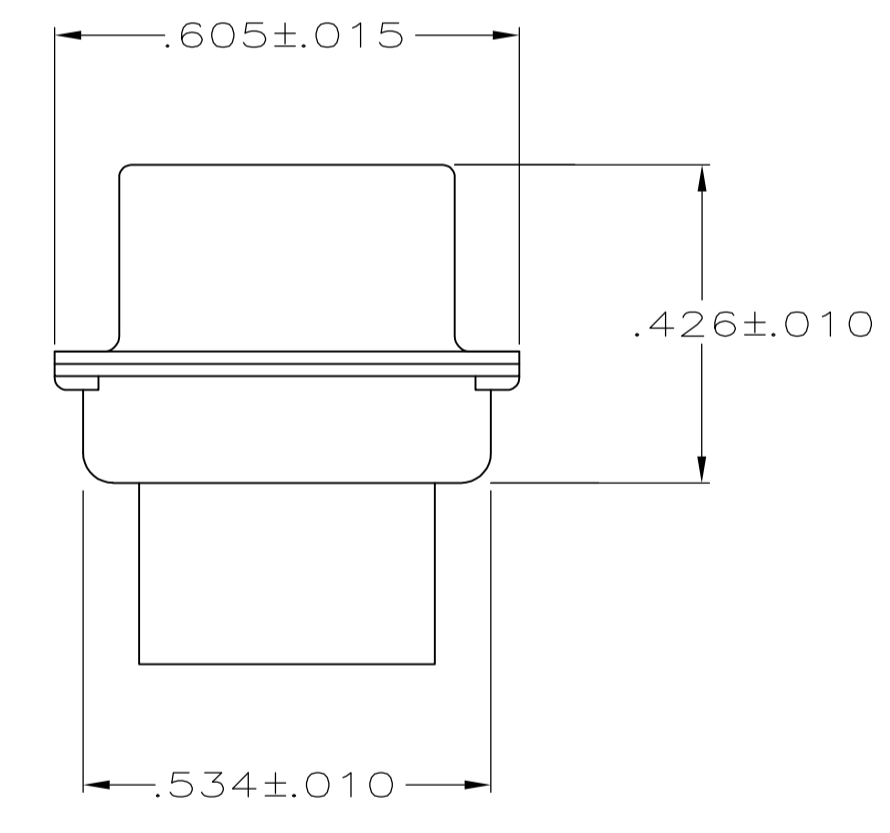
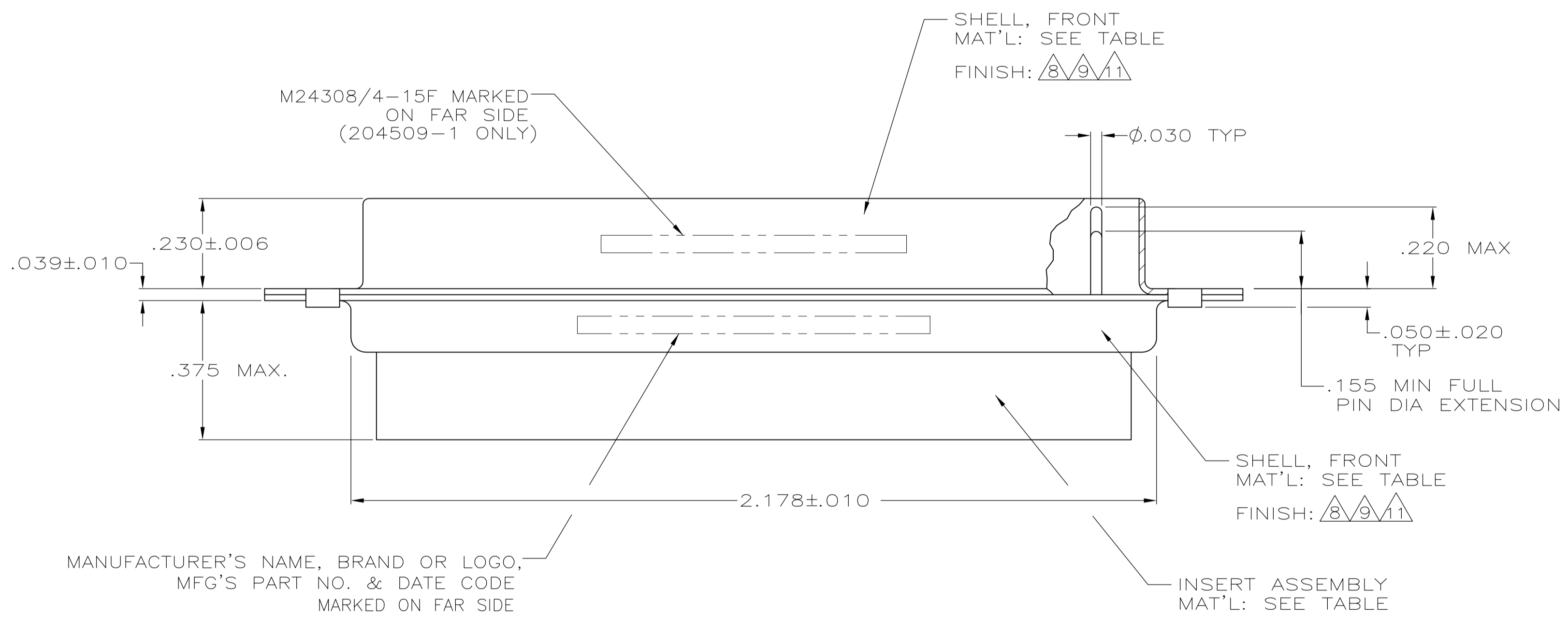


LOC	DIST	REVISIONS					
DF	DO	P	LTR	DESCRIPTION	DATE	DWN	APVD
		W	REV PER	ECO-08-030008	22JAN2009	PK	RL

- 204509-1 IS DESIGNED TO CONFORM TO THE LATEST ISSUE OF MIL-C-24308.
 - MAX WIRE INSUL. TO BE USED WITH THIS PLUG IS .054 DIA.
 - METAL RETENTION CLIPS ARE INCLUDED IN INSERTS.
 - PACKAGE STAMPED M 24308/4-268F, 204509-1 ONLY.
 - THIS PLUG WILL ACCEPT SIZE 22 PIN CONTACT M 39029/58-360 OR ANY TYCO HDD-22 PIN CONTACT.
- ⑩ UL/CSA DESIGNATION STAMPED IN THIS AREA.
 - ⑧ CADMIUM PER QQ-P-416.
 - ⑨ BRIGHT TIN PER ASTM-B-545 OVER COPPER PER AMS2418.
 - ⑩ GROUNDING INDENTS ON FRONT SHELL NOT SHOWN ON DRAWING.
 - ⑪ BRIGHT TIN PER ASTM-B-545 .000400-.000550 THK OVER COPPER PER AMS2418 .000050 MIN THK.



CLINCH NUT DETAIL
 FOR 204509-6 ONLY
 2 PLC



REMARKS	FINISH	INK STAMP	P/N	SHELL MATERIAL	INSERT MATERIAL	PART NO.
	⑩			STEEL PER ASTM-A-109	GST-40F PER MIL-M-24519 COLOR: BLACK	204509-8
	-			STEEL PER ASTM-A-109	GST-40F PER MIL-M-24519 COLOR: BLACK	204509-7
	SEE CLINCH NUT DETAIL			STEEL PER ASTM-A-109	GST-40F PER MIL-M-24519 COLOR: BLACK	204509-6
	⑩			STEEL PER ASTM-A-109	GST-40F PER MIL-M-24519 COLOR: BLACK	204509-5
SUPSD BY 204509-1	-			STEEL PER ASTM-A-109	GST-40F PER MIL-M-24519 COLOR: BLACK	204509-3
SUPSD BY 206504-4	-			BRASS	GST-40F PER MIL-M-24519 COLOR: BLACK	204509-2
	⑧			STEEL PER ASTM-A-109	GST-40F PER MIL-M-24519 COLOR: BLACK	204509-1

THIS DRAWING IS A CONTROLLED DOCUMENT.

DIMENSIONS: INCHES
 TOLERANCES UNLESS OTHERWISE SPECIFIED:
 0 PLC ± -
 1 PLC ± -
 2 PLC ± -
 3 PLC ± .005
 4 PLC ± -
 ANGLES ± 0°30'

MATERIAL: SEE CALLOUTS
 FINISH: SEE CALLOUTS

DWG: C.C.THOMAS 13-NOV-99
 CHK: LARRY OH 13-NOV-99
 APVD: LARRY OH 13-NOV-99

Tyco Electronics Corporation
 Harrisburg, Pa 17105-3608

NAME: PLUG ASSY, AMPLIMITE, 78 POSN SIZE 5, SERIES 90

SIZE: A1
 CASE CODE: 00779
 DRAWING NO: 204509

CUSTOMER DRAWING
 SCALE: 4:1
 SHEET: 1 OF 1
 REV: W