

## Connection distributor - QPD H 4X2,5 GY - 1582260

Please be informed that the data shown in this PDF Document is generated from our Online Catalog. Please find the complete data in the user's documentation. Our General Terms of Use for Downloads are valid (<http://download.phoenixcontact.com>)

QUICKON H-distributor, gray, 4-pos. without PE, 1.0 mm<sup>2</sup> ... 2.5 mm<sup>2</sup> / 630 V / 20 A, without QUICKON nut



### Key commercial data

Packing unit	1 PCE
Weight per Piece (excluding packing)	82.0 GRM
Custom tariff number	85366990
Country of origin	Germany

### Technical data

#### General

Design	H-distributor
Color	gray
Connection method	QUICKON connection IDC connection
Number of positions	4
Wrench size, union nut	22 mm
Tightening torque, union nut	5 Nm
Number of connections	4
Conductor cross section stranded min.	1.5 mm <sup>2</sup>
Conductor cross section stranded max.	2.5 mm <sup>2</sup>
Conductor cross section solid min.	1 mm <sup>2</sup>
Conductor cross section solid max.	2.5 mm <sup>2</sup>
Conductor cross section AWG/kcmil min.	16
Conductor cross section AWG/kcmil max	14

#### Conductor

# Connection distributor - QPD H 4X2,5 GY - 1582260

## Technical data

### Conductor

Structure of individual litz in acc. with VDE 0295 / smallest wire diameter	VDE 0295 class 1 to 6 / min. 0.15 mm
Wire insulation material	PVC / PE
Wire diameter including insulation	2.5 mm ... 3.8 mm
External cable diameter	6 mm ... 14 mm (Order Quickon nuts or Quickon connectors separately)

### Ambient conditions

Degree of protection	IP68 (2 m / 24 h)
Ambient temperature (operation)	-40 °C ... 80 °C
Ambient temperature (storage/transport)	-40 °C ... 80 °C
Temperature when conductor connected	-5 °C ... 50 °C

### Electrical characteristics

Nominal current $I_N$	20 A
Rated current	20 A
Rated voltage (III/3)	630 V
Rated voltage (III/2)	1000 V
Rated voltage (II/2)	1000 V
Rated surge voltage (III/3)	6 kV
Rated surge voltage (III/2)	8 kV
Rated surge voltage (II/2)	8 kV

### Mechanical characteristics

QUICKON connectability	max. 10
Insertion/withdrawal cycles	50 (Quickon connections max. 10)

### Material data

Contact material	CuZn
Contact surface material	Tin-plated
Contact carrier material	PA
Insulating material	PA
Inflammability class according to UL 94	V0
Surge voltage category	III
Pollution degree	3

## Classifications

eCl@ss

eCl@ss 4.0	272607xx
eCl@ss 4.1	27260701

# Connection distributor - QPD H 4X2,5 GY - 1582260

## Classifications

### eCl@ss

eCl@ss 5.0	27143424
eCl@ss 5.1	27143424
eCl@ss 6.0	27143424
eCl@ss 7.0	27440209
eCl@ss 8.0	27440209

### ETIM

ETIM 3.0	EC000516
ETIM 4.0	EC000516
ETIM 5.0	EC000516

### UNSPSC

UNSPSC 6.01	30211923
UNSPSC 7.0901	39121522
UNSPSC 11	39121522
UNSPSC 12.01	39121522
UNSPSC 13.2	39121522

## Approvals

### Approvals

---

#### Approvals

VDE Zeichengenehmigung / GOST

---

#### Ex Approvals

---

#### Approvals submitted

---

### Approval details

VDE Zeichengenehmigung	
mm <sup>2</sup> /AWG/kcmil	1.5-2.5

## Connection distributor - QPD H 4X2,5 GY - 1582260

### Approvals

Nominal current IN	20 A
Nominal voltage UN	690 V



### Accessories

#### Accessories

#### Coding element

Coding profile - CP-QPD - 1582459



Coding profile red, for pushing into the QUICKON dome and connector, can be positioned in 90° steps.

### Device marking

Engraving material - GPE 13X 9 WH - 0806932



Engraving material, Sheet, white, Unlabeled, Can be labeled with: Engraving, Plotter, Mounting type: Adhesive, Lettering field: 13 x 9 mm

### Installation connector

Connector - QPD P 4X2,5 6-10 GY - 1582372



QUICKON connector, gray, 4-pos. without PE, 1.0 mm<sup>2</sup> ... 2.5 mm<sup>2</sup>/630 V/20 A, for cables with a diameter of 6 mm ... 10 mm.

## Connection distributor - QPD H 4X2,5 GY - 1582260

### Accessories

Connector - QPD P 4X2,5 9-14 GY - 1582379



QUICKON connector, gray, 4-pos. without PE, 1.0 mm<sup>2</sup> ... 2.5 mm<sup>2</sup>/630 V/20 A, for cables with a diameter of 9 mm ... 14 mm.

---

### Mounting material

Assembly clip - QPD CLIP 2,5 BK - 1582235



Holding clip for Quickon-H distributor, for snapping on and removal without tools.

---

### Protective cap

Protective cap - QPD QSK 2,5 FS - 1582488



Plastic protective cap, for QPD-QUICKON connectors, green, with holding band, IP68

---

### Socket spanner

Socket wrench - QSS 22 - 1670206



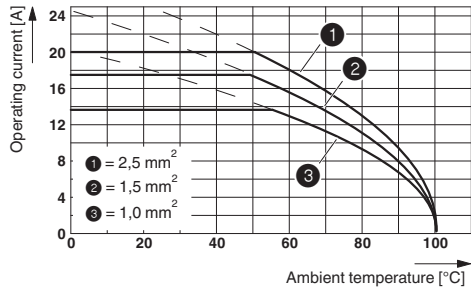
Allen wrench, for loosening and fastening the QUICKON union nut, WAF 22 mm

---

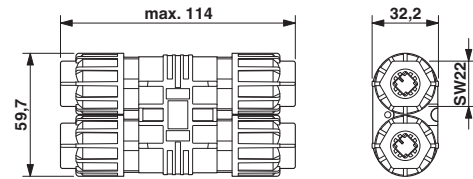
### Drawings

# Connection distributor - QPD H 4X2,5 GY - 1582260

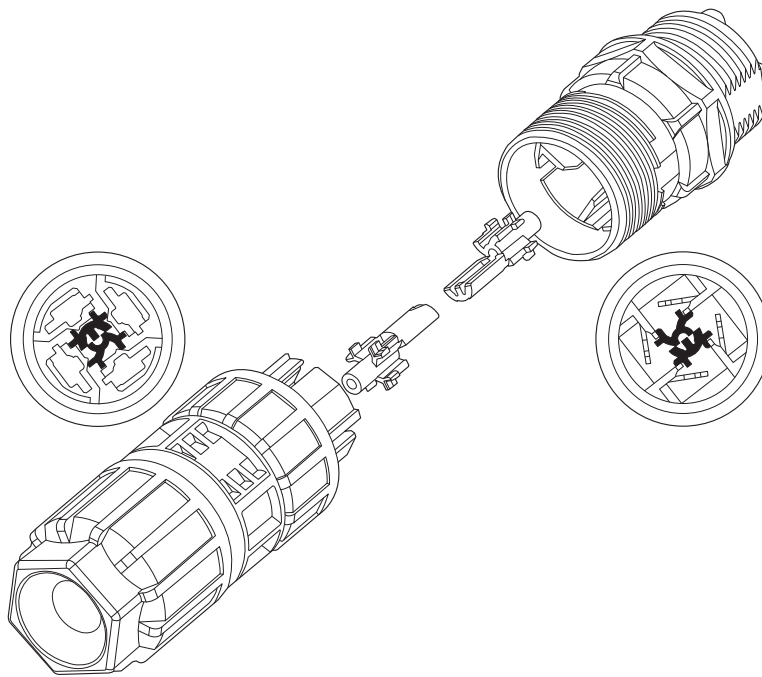
Diagram



Dimensioned drawing



Schematic diagram



Coding of the QUICKON plug-in connection