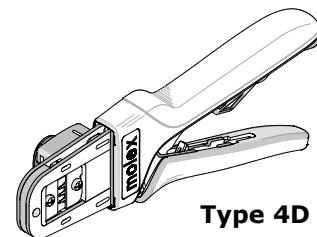




Order No. 200218-2200

**Application Tooling Specification**



**Type 4D**

**FEATURES**

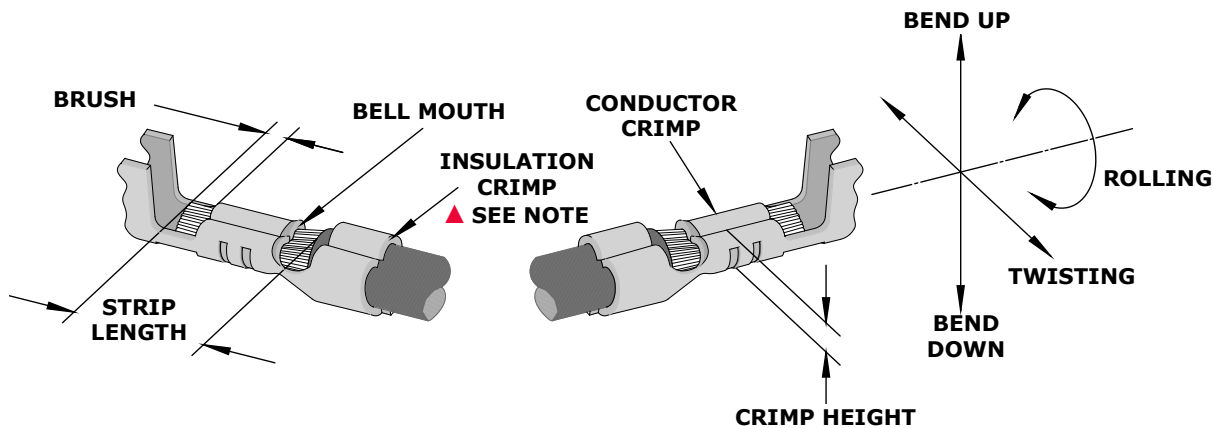
- A full cycle ratcheting hand tool ensures complete crimps
- Ergonomic soft grip handles for comfortable crimping
- A precision, user-friendly terminal locator wire stop holds terminals in the proper crimping position
- Right- and left-handed applications
- Dies and locator from this tool can be used in the Battery Powered Tool Order No. 63816-0200 (110 V) or 63816-0250 (220 V), with the use of the 63816-0800 Crimp Head
- Many different tool kits can be used with a single Battery Powered Crimp Tool
- This tool is IPC/WHMA-A-620 Class 2 compliant, as indicated on page 2
- This tool is RoHS compliant; however, RoHS compliance is not required

**SCOPE**

**Products:** Mini-Fit Jr. Male and Female Crimp Terminals, 16 AWG.

Terminal Series No.	Terminal Order No.				Wire Size AWG	Insulation Diameter		Strip Length	
	Loose Piece		*Reel			mm	In.	mm	In.
5556	39-00-0078	39-00-0174	39-00-0077	39-00-0173	16	1.80-3.10	.071-.122	3.00-3.50	.118-.138
	39-00-0080	39-00-0180	39-00-0079	39-00-0179					
	39-00-0090	39-00-0186	39-00-0089	39-00-0185					
	39-00-0094	39-00-0199	39-00-0093	39-00-0198					
	39-00-0113	39-00-0205	39-00-0112	39-00-0204					
	39-00-0119	39-00-0212	39-00-0118	39-00-0211					
	39-00-0142	39-00-0218	39-00-0141	39-00-0217					
	39-00-0158	39-00-0448	39-00-0157	39-00-0447					
39-00-0168		39-00-0167							
5558	39-00-0082	39-00-0131	39-00-0081	39-00-0130					
	39-00-0084	39-00-0148	39-00-0083	39-00-0147					
	39-00-0096	39-00-0224	39-00-0095	39-00-0223					
	39-00-0100	39-00-0450	39-00-0099	39-00-0449					
	39-00-0125		39-00-0124						
44476	44476-3112		44476-3111						
44478	44476-3112	44476-3212	44476-3111	44476-3211					
44485	44476-3212	44476-3412	44476-3211	44476-3411					
	44476-3312		44476-3311						
45750	44476-3112	44476-3212	44476-3111	44476-3211					
46012	44476-3142	44476-3242	44476-3141	44476-3241					
46018	44476-3542		44476-3541						
*Customer to cut off terminal from reel: 0.20mm (.008") maximum cut-off tab.									
+See conditions on page 3.									

## DEFINITION OF TERMS



The above terminal drawing is a generic terminal representation. It is not an image of a terminal listed in the scope.

## CONDITIONS

After crimping, the conductor profiles should measure the following:

Terminal Series No.	Wire Size AWG	Conductor Crimp				Insulation Crimp				Pull Force Minimum		Locator Color	Profile		
		Height (Ref.)		Width (Ref.)		Height (Ref.)		Width (Ref.)		N	Lb.		A	B	C
		mm	In.	mm	In.	mm	In.	mm	In.						
5556	16	1.14-1.24	.045-.049	1.95	.077	2.85	.112	2.50	.098	68.5	15.40	Red			X
						2.85	.112	2.75	.108				X		
						3.35	.132	3.25	.128					X	
5558	16	1.14-1.24	.045-.049	1.95	.077	2.85	.112	2.50	.098	68.5	15.40	Blue			X
						2.85	.112	2.75	.108				X		
						3.35	.132	3.25	.128					X	
44476	16	1.14-1.24	.045-.049	1.95	.077	2.80	.110	2.50	.098	68.5	15.40	Red			X
						2.80	.110	2.75	.108				X		
						3.35	.132	3.25	.128					X	
44478	16	1.14-1.24	.045-.049	1.95	.077	2.85	.112	2.50	.098	68.5	15.40	Blue			X
						2.85	.112	2.75	.108				X		
						3.35	.132	3.25	.128					X	
44485	16	1.14-1.24	.045-.049	1.95	.077	2.85	.112	2.50	.098	68.5	15.40	Red			X
						2.90	.114	2.75	.108				X		
						3.35	.132	3.25	.128					X	
45750	16	1.14-1.24	.045-.049	1.95	.077	2.85	.112	2.50	.098	68.5	15.40	Red			X
						2.80	.110	2.75	.108				X		
						3.35	.132	3.25	.128					X	
46012	16	1.14-1.24	.045-.049	1.95	.077	2.80	.110	2.50	.098	68.5	15.40	Blue			X
						2.85	.112	2.75	.108				X		
						3.35	.132	3.25	.128					X	
46018	16	1.14-1.24	.045-.049	1.95	.077	2.80	.110	2.50	.098	68.5	15.40	Yellow			X
						2.85	.112	2.75	.108				X		
						3.35	.132	3.25	.128					X	

To achieve IPC-A-620 Class 2 crimps, the following overall wire insulation diameter ranges are recommended:

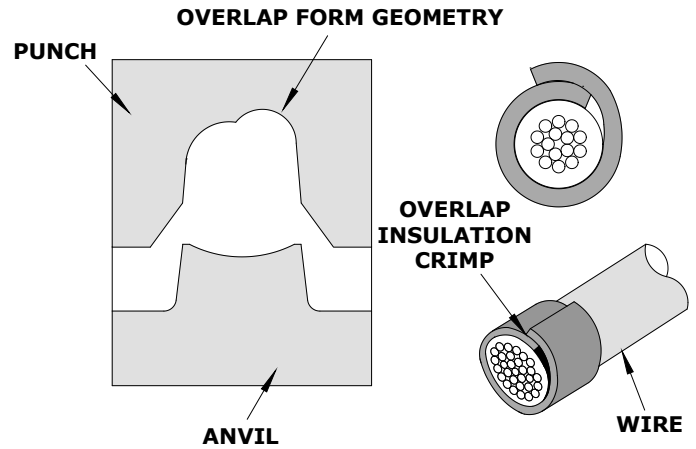
- **Profile A:** 2.20-2.60mm (.087-.102 in.) or UL1007
- **Profile B:** 2.85-3.15mm (.112-.124 in.) or UL1015
- **Profile C:** 1.75-2.45mm (.069-.097 in.) or UL1061

### Tool Qualification Notes

1. Pull force should be measured with no influence from the insulation crimp.
2. The above specifications are guidelines to an optimum crimp.

**▲ Insulation Crimp Note**

Due to the terminal’s insulation grip design or insulation diameter range, this tool uses overlap form geometry in the insulation punch. This produces an overlap insulation crimp (A620-compliant). Although the insulation punch profile may appear lopsided, this is a normal condition for this tool. See figure to the right. (Some tools with multiple crimp pockets may not have the overlap profile on all pockets).



**Note**

A crimp height chart is provided with this document as a reference only. Due to the wide range of wires, strands, insulation diameters and durometers available, actual crimp height measurements may vary slightly. An occasional destructive pull force test should be performed to check hand tool crimp. Pull force value must exceed the minimum pull force specifications listed.

**SETUP**

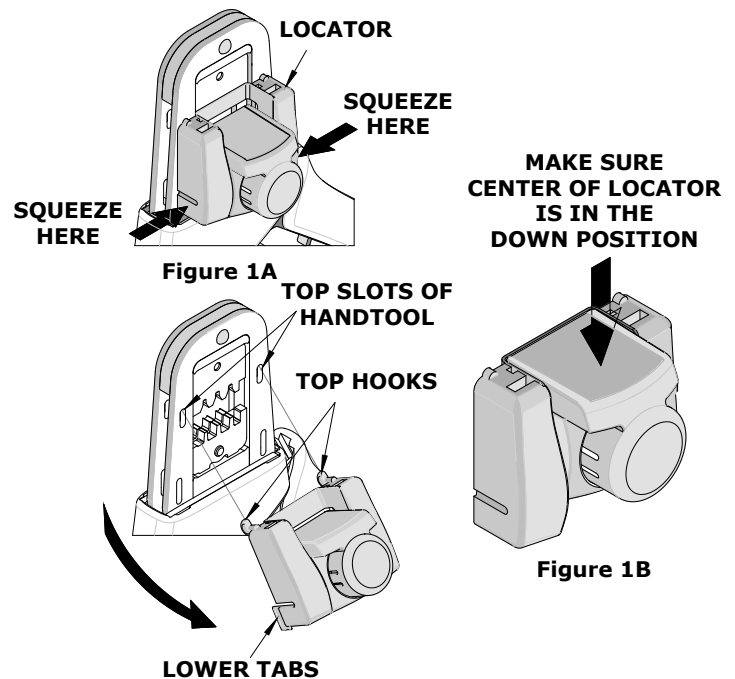
**Locator Replacement**

Refer to the above chart to determine the correct locator based on your specific crimping application. Match the terminal series number to the appropriate locator color.

**Note:** You must install the correct locator prior to operating this hand tool.

See the parts list on the last page of this document for the proper locator order number. Follow the steps below to replace the locator:

1. Open the crimp hand tool.
2. Squeeze gently on the lower area shown in Figure 1A with your thumb and index finger. The lower tabs of the locator should disengage from the hand tool.
3. Lift and pull away from the hand tool. The top locator hooks should slip out of the top slots easily. See Figure 1A.
4. To install the new locator, make sure the hand tool is in the open position.
5. Press the center of the locator down as far as it will go as shown in Figure 1B.
6. Holding onto the lower part of the locator with your thumb and index finger, insert the locator’s top hooks (2) into the hand tool’s top slots.
7. Rotate the locator down, and press the lower tabs into the two bottom slots of the hand tool. To secure the locator into place, the lower tabs must snap into place on the hand tool frame.

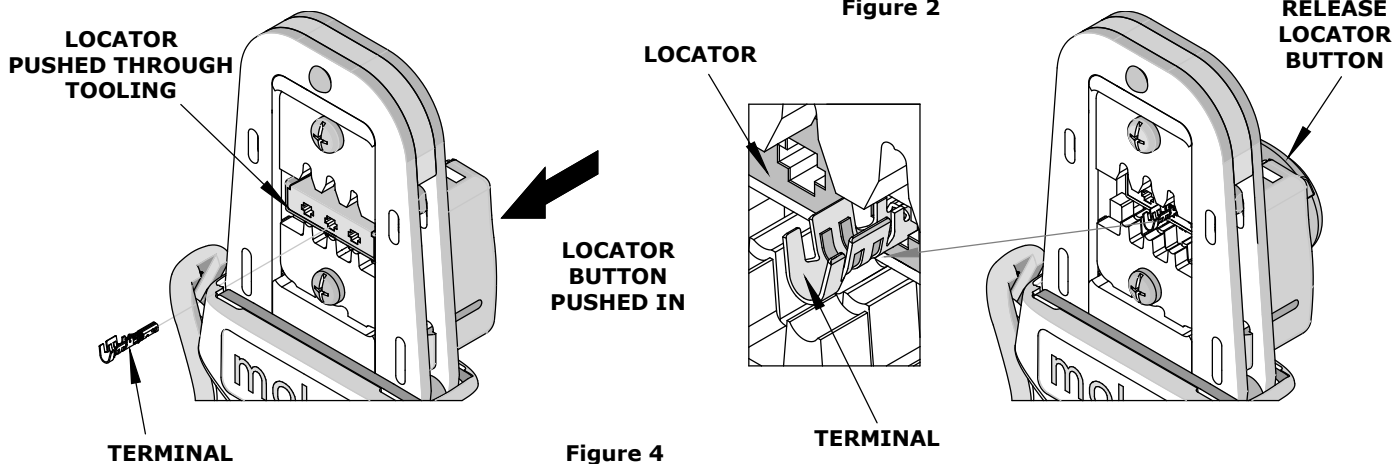
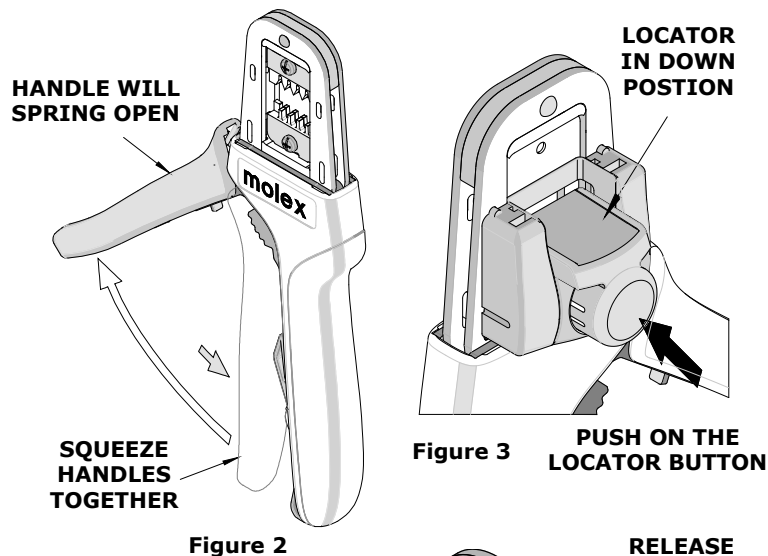


## OPERATION



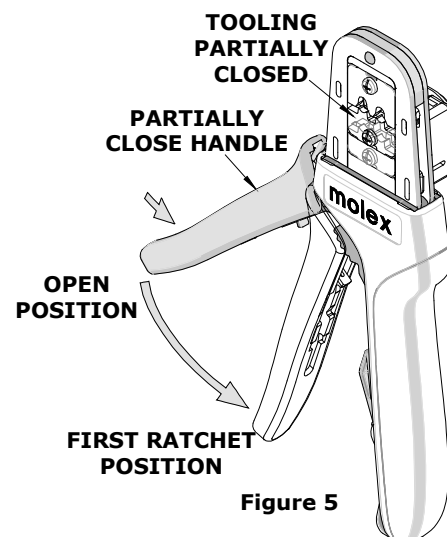
**CAUTION:** Crimp only the Molex terminals listed in the scope for this tool. Do not crimp hardened objects as damage can occur to the tool frame or crimp dies.

Open the tool by squeezing the handles together. At the end of the closing stroke, the ratchet mechanism will release the handles, and the hand tool will spring open. See Figure 2.



### Crimping Terminals

1. Select the desired terminal listed in the preceding charts.
2. Make sure the center of the locator is in the down position. With the locator attached, push the locator button on the back of the hand tool to bring the locator forward through the tooling. See Figure 3.
3. While holding the locator button in, load the terminal into the proper nest opening in the locator based on the wire gauge or terminal type markings on the hand tooling. See Figure 4.
4. Release the locator button, allowing the locator to return to the crimping position.
5. Close the tool handle until the first ratchet position engages. See Figure 5.
6. Insert the properly stripped wire through the terminal and against the wire stop. See Figure 6.
7. Crimp the terminal by squeezing the tool handles until the ratchet mechanism cycle has been completed. Release the handles to open the jaws.



# Hand Crimp Tool for Mini-Fit Jr. Male and Female Crimp Terminals

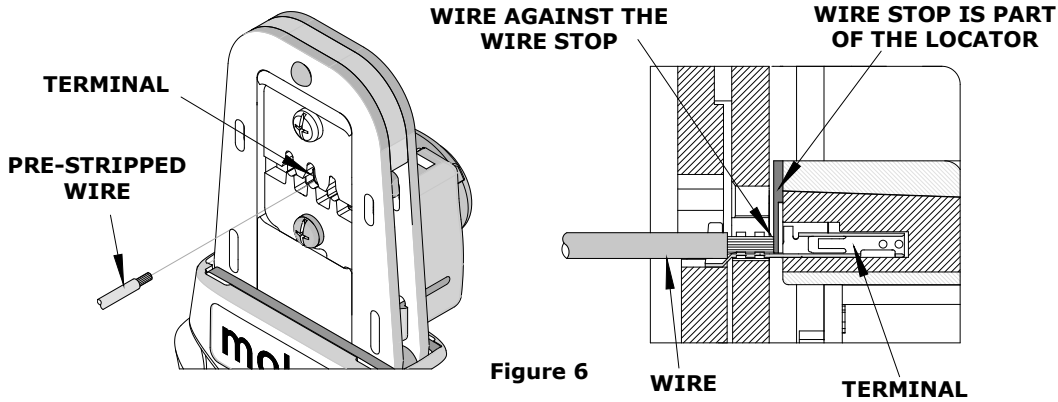


Figure 6

**Note:** The tamper-proof ratchet action will not release the tool until it has been fully closed.

8. Remove the crimped terminal from the terminal locator by pulling on the wire.
9. Visually inspect the crimped terminal for proper crimp location.
10. On some large O.D. wires, it may not be possible to insert the wire with the tool partially closed. Those wires should be inserted with the hand tool in the open position. Insert the wire above the terminal in the punch and against the wire stop, and then close the tool. See Figure 7.

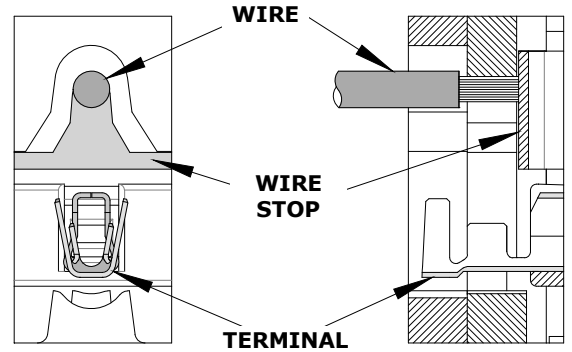


Figure 7

## Right or Left Hand Operation

This hand tool has an added feature that can be converted from a right-handed application to a left-handed application. It is necessary to reverse the tooling if using the left-handed application along with the locator. Follow the steps below:

1. The locator must be removed before reversing the tooling.
2. Remove the M3 BHCS, which is holding the upper tooling.
3. Flip the upper tooling to the opposite side, and replace the M3 BHCS. Make sure the small markings on the front and back of the hand tool frame match up and are on the outside of the hand tool frame. See Figures 8 and 9.
4. Do the same thing with the lower tooling, and tighten the M3 screws. Be sure the small markings line up.
5. Reinstall the locator by following the instructions in the locator replacement section.

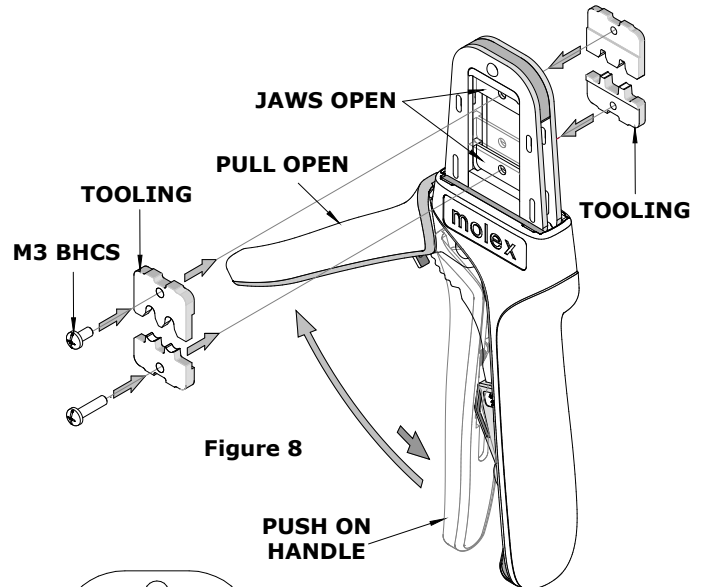


Figure 8

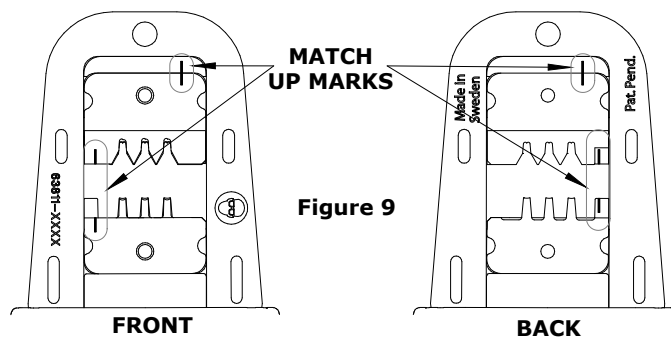


Figure 9

## MAINTENANCE

It is recommended that each operator of the tool be made aware of and responsible for the following maintenance steps:

1. Remove dust, moisture and other contaminants with a clean brush or a soft, lint-free cloth.
2. Do not use any abrasive materials that could damage the tool.
3. Make certain all pins, pivot points and bearing surfaces are protected with a thin coat of high-quality machine oil. Do not oil excessively. The tool was engineered for durability, but like any other equipment, it needs cleaning and lubrication for a maximum service life of trouble-free crimping. Light oil (such as 30 weight automotive oil) used at the oil points every 5,000 crimps or 3 months will significantly enhance the tool life.
4. Wipe excess oil from the hand tool, particularly from the crimping area. Oil transferred from the crimping area onto certain terminations may affect the electrical characteristics of an application.
5. When the tool is not in use, keep the handles closed to prevent objects from becoming lodged in the crimping dies, and store the tool in a clean, dry area.

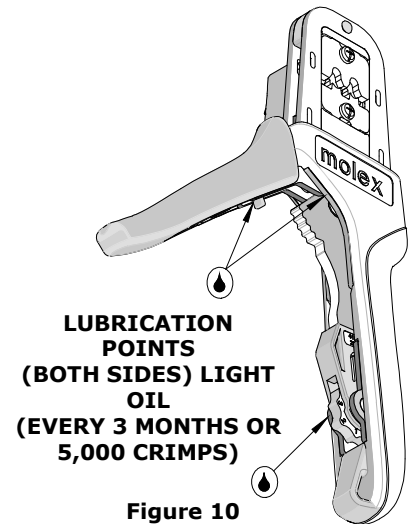


Figure 10

### Miscrimps or Jams

Should this tool ever become stuck or jammed in a partially closed position, **Do Not force the handles open or closed**. The tool will open easily by pressing up on the ratchet release lever in the movable handle. See Figure 11.

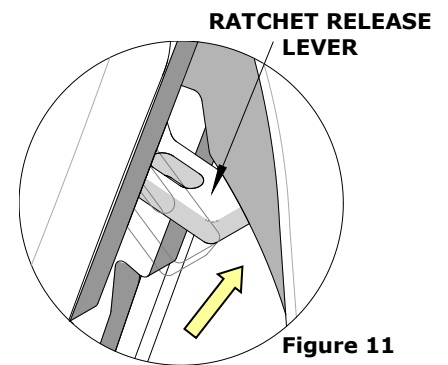


Figure 11

### How to Adjust Tool Preload (See Figure 12)

This hand tool is factory preset to 25-45 pounds. preload. It may be necessary over the life of the tool to adjust tool handle preload force. Listed below are the steps required to adjust the crimping force of the hand tool to obtain proper crimp conditions:

1. Hold the hand tool in the palm of your hand as shown in Figure 12. Using the index finger squeeze the link towards the top of the hand tool frame. This will release the preload adjustment wheel.
2. Rotate the setting wheel counter-clockwise (CCW) to increase handle force. The numbers will display higher. To decrease handle force rotate the setting wheel clockwise (CW).
3. Release the link to lock the setting wheel in place.
4. Check the crimp specifications or conduct a pull test after tool handle preload force is adjusted.

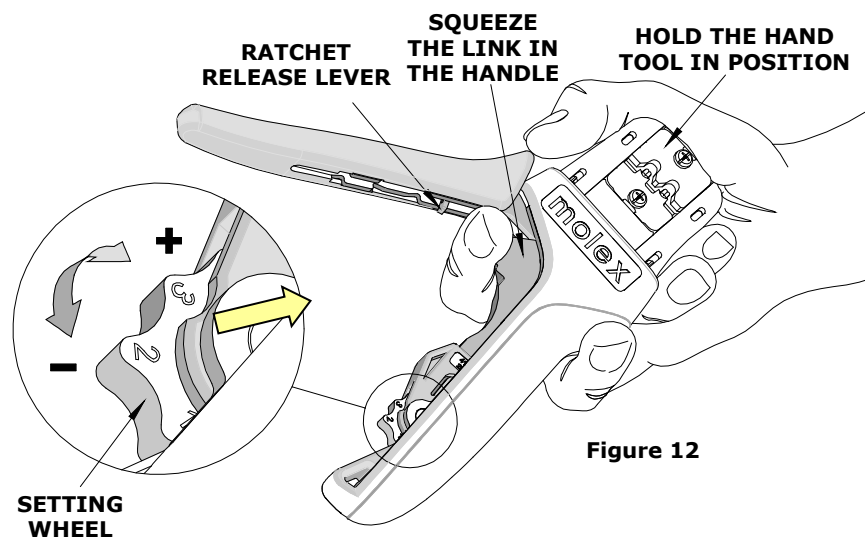


Figure 12

## Warranty

This tool is for electrical terminal crimping purposes only. This tool is made of the best quality materials. All vital components are long-life tested. All tools are warranted to be free of manufacturing defects for a period of 30 days. Should such a defect occur, Molex will repair or exchange the tool free of charge. This repair or exchange will not be applicable to altered, misused or damaged tools. This tool is designed for hand use only. Any clamping, fixturing or use of handle extensions voids this warranty.

**CAUTION:** Molex crimp specifications are valid only when used with Molex terminals and tooling.

## CAUTIONS:

1. Manually powered hand tools are intended for low-volume use or field repair. This tool is **NOT** intended for production use. Repetitive use of this tool should be avoided.
2. Insulated rubber handles are not protection against electrical shock.
3. Wear eye protection at all times.
4. Use only the Molex terminals specified for crimping with this tool.

## Certification

Molex does not certify or re-certify hand tools but rather supplies the following guidelines for customers to re-certify hand tools:

- This tool is qualified to pull force only. See the Molex website for the Quality Crimp Handbook for more information on pull testing.
- If the tool does not meet minimum pull force values, handle preload should be increased, and the pull test should be rerun (See How to Adjust Preload).
- When the hand tool is no longer capable of achieving minimum pull force, it should be taken out of service and replaced.



**PARTS LIST**

Item Number	Order Number	Description	Quantity
REF	200218-2200	Hand Crimp Tool	Figure 13
1A	200218-2275	Locator Assembly (Red)	1
1B	200218-2276	Locator Assembly (Blue)	1
1C	200218-2277	Locator Assembly (Yellow)	1
2	63810-0104	Spring, Return	1
3	63810-0105	Spring, Ratchet	1

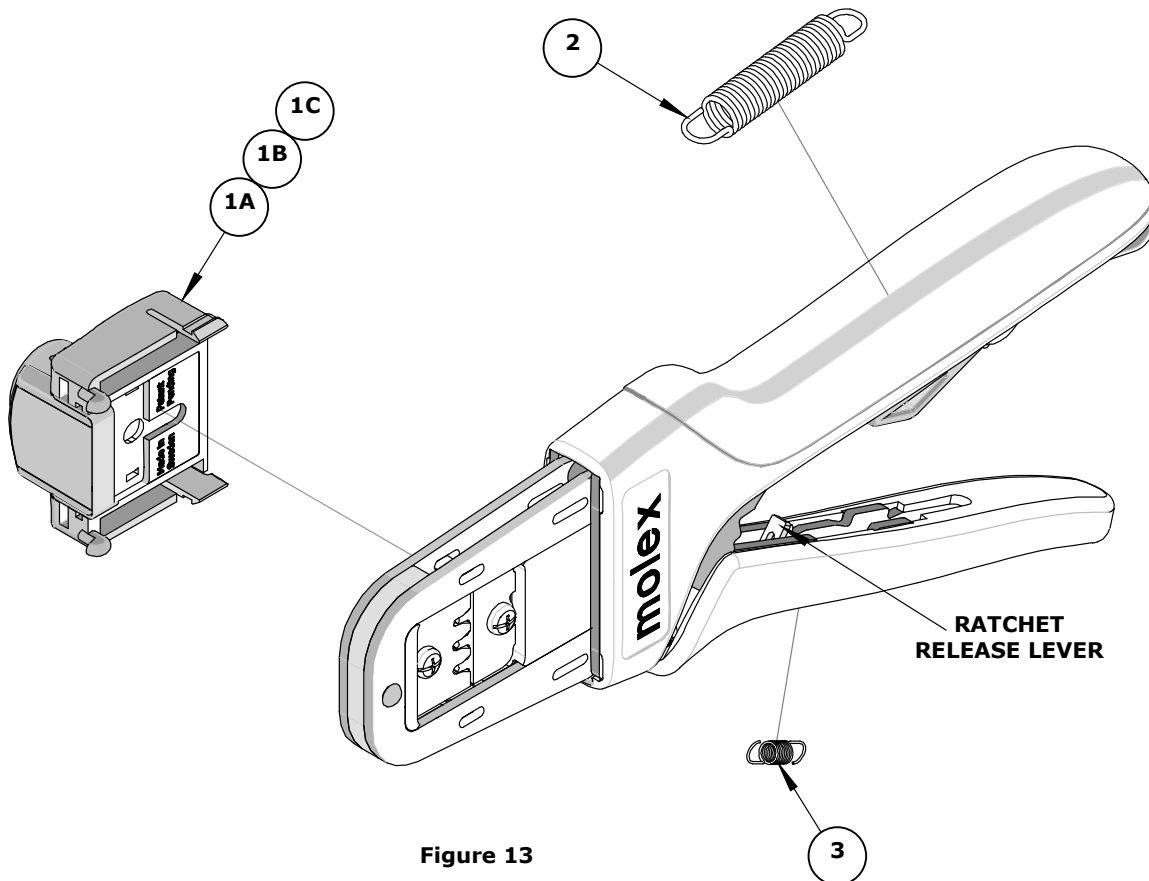


Figure 13

**Application Tooling Support**

**Phone:** (402) 458-TOOL (8665)  
**E-Mail:** applicationtooling@molex.com  
**Website:** www.molex.com/applicationtooling

Molex is a registered trademark of Molex, LLC in the United States of America and may be registered in other countries; all other trademarks listed herein belong to their respective owners.